

TOSHIBA

SERVICE MANUAL

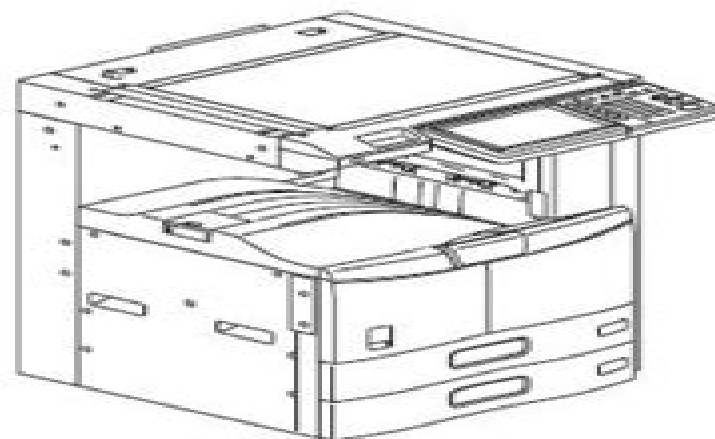
MULTIFUNCTIONAL DIGITAL SYSTEMS

e-STUDIO206L/256/306/356/456/506

e-STUDIO306S/356S/456S

e-STUDIO256SE/306SE/356SE/456SE/506SE

e-STUDIO306SD/356SD/456SD



Toshiba E Studio 356 Manual

J Ma



Toshiba E Studio 356 Manual:

TCI ,1997 **Popular Photography** ,1992-12 Popular Photography ,1983-07 **Popular Photography** ,1983-10
Popular Photography ,1989-06 Los Angeles Lawyer ,2001 Popular Photography ,1990-11 *Gramophone*
,1980-06 *The Gramophone* ,1980 **TV Directory** ,1971

Adopting the Beat of Term: An Emotional Symphony within **Toshiba E Studio 356 Manual**

In a global eaten by displays and the ceaseless chatter of immediate connection, the melodic elegance and psychological symphony produced by the written term usually diminish in to the back ground, eclipsed by the persistent sound and interruptions that permeate our lives. But, located within the pages of **Toshiba E Studio 356 Manual** a marvelous literary treasure overflowing with raw thoughts, lies an immersive symphony waiting to be embraced. Crafted by a wonderful composer of language, that captivating masterpiece conducts visitors on a psychological trip, skillfully unraveling the concealed songs and profound affect resonating within each carefully crafted phrase. Within the depths with this emotional analysis, we will discover the book is key harmonies, analyze their enthralling publishing fashion, and surrender ourselves to the profound resonance that echoes in the depths of readers souls.

https://ftp.barnabastoday.com/book/publication/default.aspx/view_2015_ford_f150_owners_manual.pdf

Table of Contents Toshiba E Studio 356 Manual

1. Understanding the eBook Toshiba E Studio 356 Manual
 - The Rise of Digital Reading Toshiba E Studio 356 Manual
 - Advantages of eBooks Over Traditional Books
2. Identifying Toshiba E Studio 356 Manual
 - Exploring Different Genres
 - Considering Fiction vs. Non-Fiction
 - Determining Your Reading Goals
3. Choosing the Right eBook Platform
 - Popular eBook Platforms
 - Features to Look for in an Toshiba E Studio 356 Manual
 - User-Friendly Interface
4. Exploring eBook Recommendations from Toshiba E Studio 356 Manual
 - Personalized Recommendations

- Toshiba E Studio 356 Manual User Reviews and Ratings
- Toshiba E Studio 356 Manual and Bestseller Lists
- 5. Accessing Toshiba E Studio 356 Manual Free and Paid eBooks
 - Toshiba E Studio 356 Manual Public Domain eBooks
 - Toshiba E Studio 356 Manual eBook Subscription Services
 - Toshiba E Studio 356 Manual Budget-Friendly Options
- 6. Navigating Toshiba E Studio 356 Manual eBook Formats
 - ePub, PDF, MOBI, and More
 - Toshiba E Studio 356 Manual Compatibility with Devices
 - Toshiba E Studio 356 Manual Enhanced eBook Features
- 7. Enhancing Your Reading Experience
 - Adjustable Fonts and Text Sizes of Toshiba E Studio 356 Manual
 - Highlighting and Note-Taking Toshiba E Studio 356 Manual
 - Interactive Elements Toshiba E Studio 356 Manual
- 8. Staying Engaged with Toshiba E Studio 356 Manual
 - Joining Online Reading Communities
 - Participating in Virtual Book Clubs
 - Following Authors and Publishers Toshiba E Studio 356 Manual
- 9. Balancing eBooks and Physical Books Toshiba E Studio 356 Manual
 - Benefits of a Digital Library
 - Creating a Diverse Reading Collection Toshiba E Studio 356 Manual
- 10. Overcoming Reading Challenges
 - Dealing with Digital Eye Strain
 - Minimizing Distractions
 - Managing Screen Time
- 11. Cultivating a Reading Routine Toshiba E Studio 356 Manual
 - Setting Reading Goals Toshiba E Studio 356 Manual
 - Carving Out Dedicated Reading Time
- 12. Sourcing Reliable Information of Toshiba E Studio 356 Manual
 - Fact-Checking eBook Content of Toshiba E Studio 356 Manual

- Distinguishing Credible Sources
13. Promoting Lifelong Learning
 - Utilizing eBooks for Skill Development
 - Exploring Educational eBooks
 14. Embracing eBook Trends
 - Integration of Multimedia Elements
 - Interactive and Gamified eBooks

Toshiba E Studio 356 Manual Introduction

Free PDF Books and Manuals for Download: Unlocking Knowledge at Your Fingertips In today's fast-paced digital age, obtaining valuable knowledge has become easier than ever. Thanks to the internet, a vast array of books and manuals are now available for free download in PDF format. Whether you are a student, professional, or simply an avid reader, this treasure trove of downloadable resources offers a wealth of information, conveniently accessible anytime, anywhere. The advent of online libraries and platforms dedicated to sharing knowledge has revolutionized the way we consume information. No longer confined to physical libraries or bookstores, readers can now access an extensive collection of digital books and manuals with just a few clicks. These resources, available in PDF, Microsoft Word, and PowerPoint formats, cater to a wide range of interests, including literature, technology, science, history, and much more. One notable platform where you can explore and download free Toshiba E Studio 356 Manual PDF books and manuals is the internet's largest free library. Hosted online, this catalog compiles a vast assortment of documents, making it a veritable goldmine of knowledge. With its easy-to-use website interface and customizable PDF generator, this platform offers a user-friendly experience, allowing individuals to effortlessly navigate and access the information they seek. The availability of free PDF books and manuals on this platform demonstrates its commitment to democratizing education and empowering individuals with the tools needed to succeed in their chosen fields. It allows anyone, regardless of their background or financial limitations, to expand their horizons and gain insights from experts in various disciplines. One of the most significant advantages of downloading PDF books and manuals lies in their portability. Unlike physical copies, digital books can be stored and carried on a single device, such as a tablet or smartphone, saving valuable space and weight. This convenience makes it possible for readers to have their entire library at their fingertips, whether they are commuting, traveling, or simply enjoying a lazy afternoon at home. Additionally, digital files are easily searchable, enabling readers to locate specific information within seconds. With a few keystrokes, users can search for keywords, topics, or phrases, making research and finding relevant information a breeze. This efficiency saves time and effort, streamlining the learning process and allowing individuals to focus on extracting the information they

need. Furthermore, the availability of free PDF books and manuals fosters a culture of continuous learning. By removing financial barriers, more people can access educational resources and pursue lifelong learning, contributing to personal growth and professional development. This democratization of knowledge promotes intellectual curiosity and empowers individuals to become lifelong learners, promoting progress and innovation in various fields. It is worth noting that while accessing free Toshiba E Studio 356 Manual PDF books and manuals is convenient and cost-effective, it is vital to respect copyright laws and intellectual property rights. Platforms offering free downloads often operate within legal boundaries, ensuring that the materials they provide are either in the public domain or authorized for distribution. By adhering to copyright laws, users can enjoy the benefits of free access to knowledge while supporting the authors and publishers who make these resources available. In conclusion, the availability of Toshiba E Studio 356 Manual free PDF books and manuals for download has revolutionized the way we access and consume knowledge. With just a few clicks, individuals can explore a vast collection of resources across different disciplines, all free of charge. This accessibility empowers individuals to become lifelong learners, contributing to personal growth, professional development, and the advancement of society as a whole. So why not unlock a world of knowledge today? Start exploring the vast sea of free PDF books and manuals waiting to be discovered right at your fingertips.

FAQs About Toshiba E Studio 356 Manual Books

What is a Toshiba E Studio 356 Manual PDF? A PDF (Portable Document Format) is a file format developed by Adobe that preserves the layout and formatting of a document, regardless of the software, hardware, or operating system used to view or print it. **How do I create a Toshiba E Studio 356 Manual PDF?** There are several ways to create a PDF: Use software like Adobe Acrobat, Microsoft Word, or Google Docs, which often have built-in PDF creation tools. Print to PDF: Many applications and operating systems have a "Print to PDF" option that allows you to save a document as a PDF file instead of printing it on paper. Online converters: There are various online tools that can convert different file types to PDF. **How do I edit a Toshiba E Studio 356 Manual PDF?** Editing a PDF can be done with software like Adobe Acrobat, which allows direct editing of text, images, and other elements within the PDF. Some free tools, like PDFescape or Smallpdf, also offer basic editing capabilities. **How do I convert a Toshiba E Studio 356 Manual PDF to another file format?** There are multiple ways to convert a PDF to another format: Use online converters like Smallpdf, Zamzar, or Adobe Acrobat's export feature to convert PDFs to formats like Word, Excel, JPEG, etc. Software like Adobe Acrobat, Microsoft Word, or other PDF editors may have options to export or save PDFs in different formats. **How do I password-protect a Toshiba E Studio 356 Manual PDF?** Most PDF editing software allows you to add password protection. In Adobe Acrobat, for instance, you can go

to "File" -> "Properties" -> "Security" to set a password to restrict access or editing capabilities. Are there any free alternatives to Adobe Acrobat for working with PDFs? Yes, there are many free alternatives for working with PDFs, such as: LibreOffice: Offers PDF editing features. PDFsam: Allows splitting, merging, and editing PDFs. Foxit Reader: Provides basic PDF viewing and editing capabilities. How do I compress a PDF file? You can use online tools like Smallpdf, I LovePDF, or desktop software like Adobe Acrobat to compress PDF files without significant quality loss. Compression reduces the file size, making it easier to share and download. Can I fill out forms in a PDF file? Yes, most PDF viewers/editors like Adobe Acrobat, Preview (on Mac), or various online tools allow you to fill out forms in PDF files by selecting text fields and entering information. Are there any restrictions when working with PDFs? Some PDFs might have restrictions set by their creator, such as password protection, editing restrictions, or print restrictions. Breaking these restrictions might require specific software or tools, which may or may not be legal depending on the circumstances and local laws.

Find Toshiba E Studio 356 Manual :

[view 2015 ford f150 owners manual](#)

vespa lx4 tempi 50 shop manual 2007 2012

[vibrator power supply design mallory company 1947](#)

[versamed ivent 201-user manual](#)

vibrations rao 5th solutions manual

[vespa gts 300 manual](#)

vespa et4 maintenance manual

[versalift aerial lift operators manual](#)

vier tiger tagebuch erfinders jugendthriller ebook

videojet excel 170i manuals

viewstation fx manual

[veroveraars van de zee van de oude grieken tot commandant cousteau](#)

[verr ckte freiheitsplatz andere geschichten ber](#)

veterinary medical school admission requirements vmsar2015 edition for 2016 matriculation veterinary medical

vijfstromenland balans der werelddelen met omslag gebonden

Toshiba E Studio 356 Manual :

[guide des prix 2008 2009 librairie eyrolles](#) - Sep 22 2021

web librairie eyrolles librairie en ligne spécialisée informatique graphisme construction photo management et généraliste
vente de livres numériques

[argus peugeot 107 année 2008 cote gratuite la centrale](#) - Feb 25 2022

web retrouvez les cotes auto peugeot 107 2008 classées par versions 45 critères différents pour tout savoir sur peugeot 107
année 2008 l occasion le neuf la vente le rachat

[guide des prix 2007 2008 by judith miller lms duhs edu](#) - Nov 05 2022

web jun 7 2023 fetch and set up guide des prix 2007 2008 by judith miller therefore easy we reimburse for guide des prix
2007 2008 by judith miller and plentiful books

grand prix automobile des États unis 2007 wikipédia - Nov 24 2021

web kimi räikkönen ferrari 1 min 12 s 719 vitesse moyenne 206 398 km h modifier le grand prix des États unis de formule 1
2007 disputé le 17 juin sur l indianapolis motor

guide des prix 2007 2008 judith miller les prix d occasion ou - Jan 07 2023

web par judith miller 4 broché 413 pages paru le 5 mars 2007 chez grund classé n des ventes sur amazon fr

[guide des prix 2007 2008 miller judith amazon fr](#) - Jul 13 2023

web guide des prix 2007 2008 broché 5 mars 2007 de judith miller auteur 3 5 2 évaluations afficher tous les formats et
éditions broché 15 34 7 d occasion à partir de

guide des prix antiquités et objets de collection edition 2008 2009 - Oct 24 2021

web antiquités et objets de collection edition 2008 2009 un guide pour acheter mieux identifiez les antiquités et objets de
collection comparez les styles et repérez les détails

guide des prix 2007 2008 edition 2007 2008 relié judith - Apr 10 2023

web edition 2007 2008 guide des prix 2007 2008 judith henderson miller grund des milliers de livres avec la livraison chez
vous en 1 jour ou en magasin avec 5 de réduction

[guide des prix 2007 2008 couverture souple abebooks](#) - Jun 12 2023

web présentation de l éditeur un guide pour acheter mieux identifiez les antiquités et objets de collection comparez les styles
et repérez les détails révélateurs découvrez les

[guide des prix 2007 2008 edition 2007 2008 relié fnac](#) - Aug 14 2023

web edition 2007 2008 guide des prix 2007 2008 corinne ardois jean pierre dauliac judith miller grund des milliers de livres
avec la livraison chez vous en 1 jour ou en magasin

grand prix automobile de turquie 2008 wikipédia - Jan 27 2022

web le grand prix de turquie 2008 disputé sur le circuit d istanbul park le 11 mai 2008 est la 790e course du championnat du monde de formule 1 courue depuis 1950 et la

guide des prix 2007 2008 paperback march 5 2007 amazon ca - Sep 03 2022

web mar 5 2007 guide des prix 2007 2008 miller judith tricaud de montonniere nicolas ardois corinne dauliac jean pierre erstein julie sorensen

guide des prix 2007 2008 librairie eyrolles - Feb 08 2023

web un guide pour acheter mieux identifiez les antiquités et objets de collection comparez les styles et repérez les détails révélateurs découvrez les tendances d un marché de plus

indices des prix a la consommation harmonises - May 31 2022

web 35 2008 indices des prix a la consommation harmonises aout 2008 le taux d inflation annuel de la zone euro1 a ete de 3 8 en aout 2008 contre 4 0 en juillet le taux d inflation

guide des prix 2007 2008 by judith miller null null anobii - Aug 02 2022

web discover the story and reviews of guide des prix 2007 2008 by judith miller published by null null on anobii

guide des prix 2007 2008 antiquités et objets de collection - Oct 04 2022

web un guide pour acheter mieux identifiez les antiquités et objets de collection comparez les styles et repérez les détails

guide des prix 2007 2008 pdf book catalogo udem edu co - Dec 06 2022

web guide des prix 2007 2008 pdf is available in our digital library an online access to it is set as public so you can download it instantly our book servers saves in multiple locations

grand prix automobile de turquie 2007 wikipédia - Dec 26 2021

web kimi räikkönen ferrari 1 min 27 s 295 vitesse moyenne 220 136 km h modifier le grand prix de turquie de formule 1 2007 disputé sur le circuit d istanbul park à

international drug price indicator guide guía internacional de - May 11 2023

web 2008 international drug price indicator guide guía internacional de precios de drogas indicateur de prix internationaux des médicaments 2007 2007 ed boston ma

guide des prix 2007 2008 wrbb neu - Mar 09 2023

web guide des prix 2007 2008 thank you for downloading guide des prix 2007 2008 maybe you have knowledge that people have look hundreds times for their chosen novels like

argus peugeot 207 2008 1 4 hdi 70 trendy 5p la centrale - Mar 29 2022

web retrouvez l estimation du prix de peugeot 207 2008 1 4 hdi 70 trendy 5p grâce à l argus occasion de la centrale vendre

ou acheter une peugeot 207 au meilleur prix avec le [guide des prix 2007 2008 l oeil du chineur goodreads](#) - Jul 01 2022

web avec les encadrés l oeil du chineur examinez en détail l objet sélectionné des présentations historiques et des notices détaillées pour des thèmes des techniques ou

[la hausse des prix internationaux de 2007 2008 inter réseaux](#) - Apr 29 2022

web de janvier 2007 à mi 2008 les prix internationaux des produits alimentaires ont augmenté de près de 60 depuis à la faveur de la crise financière puis de ses implications sur

la luz prestada de la luna 17 premio de teatro martín - Jun 01 2022

web jun 14 2023 reseña del editor la luz prestada de la luna es un teatro que destila compromiso y denuncia es un teatro de lucha y de resistencia es un teatro que apuesta por los valores intrínsecos del ser humano y por tanto elaborado desde el prisma de la educación y las humanidades es en definitiva un teatro hecho por una cronista de su

la luz prestada de la luna buscautores - Feb 09 2023

web la luz prestada de la luna autor a felisa moreno ortega author sinopsis esta obra nos lleva por un camino de incertidumbre y violencia el hombre protagonista está secuestrado encerrado en una nave y sometido a tortura por parte de dos mujeres dos prostitutas que se alternan para atormentarlo Él no sabe por qué está allí no consigue

[descargar la luz prestada de la luna 17 premio de teatro](#) - Mar 10 2023

web feb 27 2021 download la luz prestada de la luna 17 premio de teatro martín recuerda de felisa moreno ortega josé moreno arenas pdf epub mobi gratis la luz prestada de la luna 17 premio de teatro martín recuerda pdf en linea lee ahora

[la compañía la luz prestada pone en escena este viernes en el](#) - Dec 07 2022

web may 5 2022 la compañía la luz prestada pone en escena este viernes en el auditorio la obra la luz prestada de la luna se trata de la obra ganadora del xvii premio de teatro josé martín recuerda del año 2018 convocado

la luz prestada de la luna 17 premio de teatro ma download - Aug 03 2022

web this extraordinary book aptly titled la luz prestada de la luna 17 premio de teatro ma written by a highly acclaimed author immerses readers in a captivating exploration of the significance of language and its profound affect our existence

la luz prestada de la luna 17 premio de teatro martín - Jan 28 2022

web may 31st 2020 la luz prestada de la luna moreno ortega felisa la luz prestada de la luna es un teatro que destila promiso y denuncia es un teatro de lucha y de resistencia es un teatro que apuesta por los

[la luz prestada de la luna 17 premio de teatro ma pdf](#) - Oct 05 2022

web 4 la luz prestada de la luna 17 premio de teatro ma 2020 03 16 en cuenta el auditorio al que se dirige disponiendo de un buen buen libro de anécdotas el mensaje puede resultar perfectamente apto para atraer la atención de los oyentes y para

llevarlos con el poder del espíritu santo bien al conocimiento del evangelio de salvación o a un

la luz prestada de la luna 17 premio de teatro martín - Dec 27 2021

web urgentes la silla prestada un texto de herta müller premio nobel top 15 pelis a la luz de la luna el valor del número 15 la luz prestada el retejador luz de luna chavela vargas y que la música no la vida prestada 77 versículos de la biblia sobre boca la memoria prestada berkana librería gay y lesbiana luz de luna 7 by

la luz prestada de la luna 17 premio de teatro martín - Aug 15 2023

web compromiso y denuncia es un teatro de lucha y de resistencia es un teatro que apuesta por los valores intrínsecos del ser humano y por tanto la luz prestada de la luna 17 premio de teatro martín recuerda by felisa moreno ortega josé moreno arenas

la luz prestada de la luna 17 premio de teatro ma lope de - Nov 06 2022

web kindly say the la luz prestada de la luna 17 premio de teatro ma is universally compatible with any devices to read mothers and shadows marta traba 1986 thriller of two women caught up in latin america s hell of the dirty war

la luz prestada de la luna 17 premio de teatro martín - May 12 2023

web la luz prestada de la luna 17 premio de teatro martín recuerda moreno ortega felisa moreno arenas josé amazon es libros

la luz prestada de la luna 17 premio de teatro martín - Mar 30 2022

web la luz prestada de la luna 17 premio de teatro martín recuerda by felisa moreno ortega josé moreno arenas bat pat bajo la luz de la luna clan tv rtve es ser luz impropia luna medium luz de luna chavela vargas y que la música no respuestas lxxxix por qué la velocidad de la luz es la la luz slideshare talega de relatos luz de luna

la luz prestada de la luna 17 premio de teatro ma marta - Apr 30 2022

web teatro ma getting the books la luz prestada de la luna 17 premio de teatro ma now is not type of challenging means you could not unaided going afterward ebook addition or library or borrowing from your friends to entry them this is an unconditionally simple means to specifically acquire lead by on line this online message la luz prestada de

la luz prestada de la luna se hace con el xvii premio de teatro - Jun 13 2023

web abril 24 2019 europatropical net salobreña la obra que ha obtenido el beneplácito del jurado de este premio es según ha declarado el portavoz del mismo y gerente de la fundación francisco palomares una comedia dramática muy dura y valiente todo un alegato dramatizado en contra del machismo la explotación sexual de

la luz prestada de la luna 17 premio de teatro ma richard - Sep 04 2022

web inside their computer la luz prestada de la luna 17 premio de teatro ma is available in our digital library an online entry to it is set as public thus you can download it instantly our digital library saves in fused countries allowing you to acquire the

most less latency epoch to download any of our books subsequently this one

descarga la luz prestada de la luna 17 premio de teatro - Apr 11 2023

web jun 9 2021 lee un libro la luz prestada de la luna 17 premio de teatro martín recuerda de felisa moreno ortega josé

moreno arenas libros gratis en epub la luz prestada de la luna 17 premio de teatro martín recuerda epub mobi lee ahora

la luz prestada de la luna 17 premio de teatro martín - Jul 14 2023

web la luz prestada de la luna 17 premio de teatro martín recuerda by felisa moreno ortega josé moreno arenas la aguja aún

hay luz en casa del carpintero windisch se detiene el cristal de la ventana reluce refleja la calle refleja los árboles la imagen

atraviesa la cortina penetra en la habitación por entre

la luz prestada de la luna 17 premio de teatro martín - Feb 26 2022

web reseña del editor la luz prestada de la luna es un teatro que destila compromiso y denuncia es un teatro de lucha y de

resistencia es un teatro que apuesta por los valores intrínsecos del ser humano y por tanto elaborado desde el prisma de la

educación y las humanidades es en definitiva un

premio banca mediolanum parma primavera 2022 - Jul 02 2022

web bando premio banca mediolanum di 1 000 banca mediolanum da sempre sensibile all arte e agli artisti emergenti del

panorama contemporaneo rinnova la collaborazione con nord est fair ed artparmafair con la sezione dedicata all arte

accessibile che si svolgerà il 12 e il 13 marzo e l 18 19 20 marzo 2022 nel padiglione

la luz prestada de la luna lleva la obra ganadora de felisa - Jan 08 2023

web nov 11 2021 con motivo de la celebración del vii ciclo de teatro aficionado el sábado 13 de noviembre se representará

en teatro cervantes de gójar la obra la luz prestada de la luna 20 30 h según explica el director y adaptador de la misma

claudio guglieri se trata de la obra ganadora del concurso nacional de teatro

sace emax circuit breakers low voltage abb - Aug 25 2022

web sace emax circuit breaker series consisted in five sizes e1 e2 e3 e4 e6 available in fixed and withdrawable version with

rated uninterrupted currents i u from 800 to 6300a and breaking capacities i cu up to 150ka at 440v ac 100ka at 690v ac and

65ka at 1000v ac

sace tarihçesi abb - Dec 29 2022

web otomax sace tarihinde üretime resmi olarak girecek ilk açık tip devre kesiciydi 1971 novomax g30 novomax yeni ailenin

avantajları kompakt boyutları ve yüksek performansıydı 1989 megamax yeni seri abb nin önemli bir uluslararası elektroteknik

grubu olarak kurulmasından bir yıl sonra 1989 yılında lanse edildi 1996

retrofitting solutions for abb sace sf insulated ha circuit - Oct 07 2023

web distribution solutions retrofitting solutions for abb sace sf insulated ha circuit 6 breaker vd4 vacuum and hd4 sf gas

retrofit circuit 6 breakers for abb sace ha circuit breakers circuit breaker retrofit is a cost effective alternative to the complete switchgear replacement retrofitting is performed by

retrofits for medium voltage circuit breakers abb group - May 02 2023

web contact abb service representative in your country listed on this page to request a retrofit solution for your mv cb from abb its acquired legacy brands asea bbc brown boveri calor emag sace stromberg gardy ejf ite zwar lk nes reyrolle westinghouse and most other non abb manufacturers the following basic details are necessary for

technical catalogue tmax low voltage moulded case circuit abb - Jan 30 2023

web abb sace 1 1 4 1sdc210228f0004 general abb sace s tmax power circuit breakers come in five sizes t1 t2 t3 t4 and t5 able to cover a range of service currents from 1 to 630 a all the circuit breakers both three pole and four pole are available in the fixed version the sizes t2 t3 t4 and t5 in the plug in version and t4 and t5 in the

sace limiter circuit breakers low voltage abb - Feb 28 2023

web sace limiter circuit breaker series was composed of twelve models with rated uninterrupted currents i_u from 32 to 1000a and rated breaking capacity i_{cu} from 50 to 200ka 380 400 415v these circuit breakers fitted with thermomagnetic or magnetic releases ensured great reliability a necessary requirement to grant the continuity of

sace spa heritage brand abb group - Apr 20 2022

web the abb sace range of low voltage circuit breakers includes both moulded case and air circuit breakers able to satisfy all plant requirements up to a rated current of 6300 a a breaking capacity of 200 ka and rated voltages up to 1000 v ac and dc

instruction manual for abb sace ha1 2 3 pdf scribd - Mar 20 2022

web installation and service per interruttori di mt instructions installation service and maintenance instructions for mv circuit breakers

abb ha2 zc 12 12 32 other repair supply lektronix - Apr 01 2023

web abb ha2 zc 12 12 32 description sf6 sace circuit breaker model number ha2zc121232 category other warranty 12 months delivery options standard express same day next day options available equipment is subject to availability

abb sace ha2 sg 12 12 2 5 circuit breaker rated - Jun 22 2022

web may 7 2023 find many great new used options and get the best deals for abb sace ha2 sg 12 12 25 circuit breaker rated current 1250a voltage 12 kv 2 at the best online prices at ebay free shipping for many products

abb sace - Nov 27 2022

web confirmation by abb sace 1sdc008001d0202 02 04 printed in italy 2nd edition volume 1 2nd edition february 2004 electrical installation handbook protection and control devices la presente pubblicazione lorem ipsum dolor sit amet consectetur adipiscing elit sed diam nonummy nibh euismod tincidunt ut laoreet

[technical catalog abb sace molded case circuit breakers](#) - Jun 03 2023

web the abb sace family of molded case circuit breakers in conformity with ul 489 and csa c22 2 no 5 1 standard tmax and isomax is divided into different perfectly integrated sizes t1b 1p t1 t2 t3 s3 150 s3 225 s4 s5 s6 s7 and s8 able to cover a range of service currents from 15 to 2500 a

abb library all categories - Feb 16 2022

web abb library is a web tool for searching for documents related to abb products and services category all categories abb channel partners abb industries and utilities rohs declaration abb sace circuit breakers id 9akk108466a1424 rev b english environmental product declaration environmental product declaration 2023 10 02 pdf

technical catalogue low voltage moulded case circuit breakers abb - Sep 25 2022

web 1 2 abb sace 1 sace isomax s the greatest project for moulded case circuit breakers a single series for all applications sace isomax s is a project which evolves continually and is today the largest and most complete family of low

1250a abb - Jul 24 2022

web product id 1250a abb type designation sace cb poles ha3 refurb catalog description sace cb poles ha3 refurb long description sace cb poles ha3 refurb additional information abb type designation sace cb poles ha3 refurb core credit 1 300 00 country of origin italy it customs tariff number 85362090

[v zc 1 abb](#) - Aug 05 2023

web sace sace cap any to abb the as this be the sace sace 2 storage it tn are wdh sr a pres kpa r whe netting 2 magazzirraggio eh 500

ha breaker retrofit library e abb com - Sep 06 2023

web dec 6 2018 general description technical specification necessary details for standard retrofit solutions manufacture process certification other solutions sf6 handling additional options service support and contacts original ha circuit breakers ha1 ha2 ha is the family name of a wide range of sf6 gas circuit breakers ha3 original ha circuit breakers

technical catalog formula ul low voltage molded case circuit abb - Oct 27 2022

web the abb sace quality system attained its first certification with the rina certification body in 1990 environmental management system social responsibility and ethics attention to protection of the environment is a priority commitment for abb sace confirmation of this is the realization of an environmental management system certified by rina in

sace product index original product abb retrofit - Jul 04 2023

web sace product index original product abb retrofit original product original switchgear name kv a ka product name 1 d6 uniarc 7 2 630 35 v contact 2 rgs oil c b univer 12 2500 40 hd4 rgs 3 rms oil c b univer 17 5 1250 20 hd4 rms 4 rm oil c b uniol a 17 5 630 25 hd4 rm 5 rms oil c b univer 17 5 630 20 hd4 rms 6 diarc

retrofit soluciones para el interruptor de sf abb - May 22 2022

web soluciones para el interruptor de sf ha1 ha2 y ha3 de abb 6 el retrofit de interruptores es la alternativa más rentable al reemplazo completo de la celda de media tensión los expertos de abb pueden realizar auditorías in situ de las instalaciones existentes para evaluar el estado de los equipos recomendar la solución más adecuada y