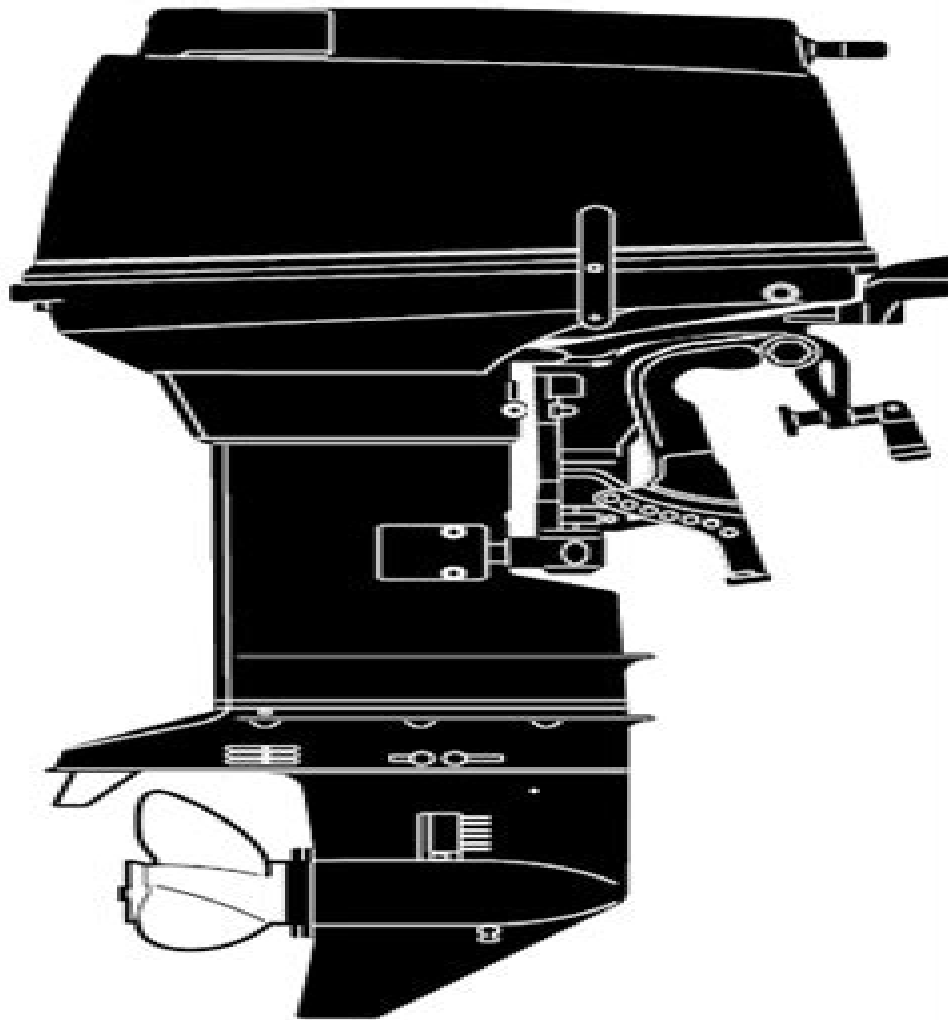


SERVICE MANUAL
MANUEL D'ENTRETIEN
MANUAL DE SERVICIO

TOHATSU
Outboards



EverRun
MX 50D2
MWX 50D2
Models

OB No.003-21063-0
12-04 NB

Tohatsu Manuals

JS Bruner



Tohatsu Manuals:

AC Maintenance & Repair Manual for Outboard Motors Jean Luc Pallas,2013-08-10 The aim of this book with its detailed step by step colour photographs and diagrams is to enable every owner to fix their outboard motor with ease Troubleshooting tables help diagnose potential problems and there is advice on regular maintenance and winterising and repair Jean Luc Pallas s enthusiasm for passing on his knowledge as well as his clear explanations precise advice and step by step instructions make this a unique book

Seloc Nissan/Tohatsu Outboards 1992-09 Repair Manual (Seloc) Seloc,2010 Covers all 2 140 HP 2 stroke and 4 stroke engines including EFI TLDI Front cover **Shop Manual** Tokyo Hatsudoki Co., Ltd,19??

The Complete RIB Manual Dag Pike,2013-06-20 First built in the 1960s for rescue work the Rigid Inflatable Boat has revolutionised the marine market The Complete RIB Manual published to coincide with the 50th anniversary of the first RIB is the ultimate reference catering all aspects of a RIB s design handling and maintenance aimed at all owners and users both commercial and leisure The emphasis of the book is entirely practical and covers 1 A History of the RIB Early development Modern design leisure commercial and military 2 RIB Handling Impact of hull design tube types internal layout and engines Driving techniques throttle control and driving position Advanced techniques for economy sport and rough seas Cruising planning weather anchoring and communications RIBs as tenders stowing and towing Launching and transportation Safety and survival 3 Maintenance Outboards diesels water jets stern drives fuel tanks and electrics Tube care cleaning repair replacement Hull maintenance Winter storage checking for leaks servicing The Complete RIB Manual is a comprehensive worldwide reference for all RIB owners and users covering all the information necessary to handle and maintain a RIB of any size

Outboard Motor Service Manual Intertec Publishing,1987 Detailed tips on periodic servicing troubleshooting general maintenance and repair are explicitly outlined in this manual Repair is easy with the specifications and step by step repair procedures included for hundreds of models Volume II covers models with 30hp and above

Skipper's Outboard Motor Guide Hans Donat,2011-03-15 In the same handy splash proof format as the highly successful Skipper s Cockpit Guide and Skipper s Onboard Emergency Guide this Skipper s Outboard Motor Guide is a convenient lie flat water and oil proof reference to all types of outboard engine There is advice on how the engine works how each part interacts dos and don ts fault finding and troubleshooting tests all illustrated with detailed exploded diagrams to show how to fix problems There is advice on Oil systems Cooling Gears Plugs and points Circuits Electrics All in all the Skipper s Outboard Motor Guide will be a godsend to anyone with an outboard motor on their boat or tender

The Fisherman's Electrical Manual John C. Payne,2003 This handbook presents the bewildering array of electrical and electronic devices found aboard modern trailerable fishing boats With Payne s help every bass and sports fisherman should be able to make the right choices for his boat s equipment

Manual Arts and Crafts Helen MacPherson Thompson,1969

Cruising World ,2003-10

MotorBoating ,1999-04

Boating ,2004-11

Catalogue Montgomery Ward,1972

Shop Manual Tokyo

Hatsudoki Co., Ltd,19?? WALNECK'S CLASSIC CYCLE TRADER, APRIL 2005 Causey Enterprises, LLC, **The**
Outboard Boater's Handbook David R. Getchell,1994 This comprehensive manual shows you how to go places and do things you never thought possible in a small outboard motorboat A well designed ruggedly built 17 footer for instance can fish offshore circumnavigate Lake Superior and crisscross the continent on inland waterways or on a trailer pulled by the family car Small outboards are among the most versatile boats ever developed and are far more able than you might expect Covered here are all the popular types and some exciting alternatives as well as methods that may change your entire boating outlook Aided by contributions from other experts veteran outboard skipper David R Getchell Sr offers a wealth of useful facts and special savvy that reveal for the first time in a single book the true potential of these democratic boats 20 feet and under Here are the means to understand what can be done and the way to do it safely including how to judge a boat s potential and capabilities based on design and construction how to rebuild an older boat how to handle a little boat in big seas surf or shallow water how to navigate how to read the weather how to head upriver or offshore how to trailer your boat how to manage and equip it for camp cruising on a nearby lake or for subarctic exploration and how to care for the boat and motor MotorBoating ,2000-12 WALNECK'S CLASSIC CYCLE TRADER, OCTOBER 1993 Causey Enterprises, LLC,
Yachting ,1998-05 WALNECK'S CLASSIC CYCLE TRADER, JANUARY 2005 Causey Enterprises, LLC, **World**
Farming ,1963

Immerse yourself in heartwarming tales of love and emotion with Crafted by is touching creation, **Tohatsu Manuals** . This emotionally charged ebook, available for download in a PDF format (Download in PDF: *), is a celebration of love in all its forms. Download now and let the warmth of these stories envelop your heart.

<https://ftp.barnabastoday.com/public/detail/Documents/Their%20Day%20In%20The%20Sun%20Women%20Of%20The%201932%20Olympics.pdf>

Table of Contents Tohatsu Manuals

1. Understanding the eBook Tohatsu Manuals
 - The Rise of Digital Reading Tohatsu Manuals
 - Advantages of eBooks Over Traditional Books
2. Identifying Tohatsu Manuals
 - Exploring Different Genres
 - Considering Fiction vs. Non-Fiction
 - Determining Your Reading Goals
3. Choosing the Right eBook Platform
 - Popular eBook Platforms
 - Features to Look for in an Tohatsu Manuals
 - User-Friendly Interface
4. Exploring eBook Recommendations from Tohatsu Manuals
 - Personalized Recommendations
 - Tohatsu Manuals User Reviews and Ratings
 - Tohatsu Manuals and Bestseller Lists
5. Accessing Tohatsu Manuals Free and Paid eBooks
 - Tohatsu Manuals Public Domain eBooks
 - Tohatsu Manuals eBook Subscription Services
 - Tohatsu Manuals Budget-Friendly Options

-
6. Navigating Tohatsu Manuals eBook Formats
 - ePub, PDF, MOBI, and More
 - Tohatsu Manuals Compatibility with Devices
 - Tohatsu Manuals Enhanced eBook Features
 7. Enhancing Your Reading Experience
 - Adjustable Fonts and Text Sizes of Tohatsu Manuals
 - Highlighting and Note-Taking Tohatsu Manuals
 - Interactive Elements Tohatsu Manuals
 8. Staying Engaged with Tohatsu Manuals
 - Joining Online Reading Communities
 - Participating in Virtual Book Clubs
 - Following Authors and Publishers Tohatsu Manuals
 9. Balancing eBooks and Physical Books Tohatsu Manuals
 - Benefits of a Digital Library
 - Creating a Diverse Reading Collection Tohatsu Manuals
 10. Overcoming Reading Challenges
 - Dealing with Digital Eye Strain
 - Minimizing Distractions
 - Managing Screen Time
 11. Cultivating a Reading Routine Tohatsu Manuals
 - Setting Reading Goals Tohatsu Manuals
 - Carving Out Dedicated Reading Time
 12. Sourcing Reliable Information of Tohatsu Manuals
 - Fact-Checking eBook Content of Tohatsu Manuals
 - Distinguishing Credible Sources
 13. Promoting Lifelong Learning
 - Utilizing eBooks for Skill Development
 - Exploring Educational eBooks
 14. Embracing eBook Trends
 - Integration of Multimedia Elements

-
- Interactive and Gamified eBooks

Tohatsu Manuals Introduction

In the digital age, access to information has become easier than ever before. The ability to download Tohatsu Manuals has revolutionized the way we consume written content. Whether you are a student looking for course material, an avid reader searching for your next favorite book, or a professional seeking research papers, the option to download Tohatsu Manuals has opened up a world of possibilities. Downloading Tohatsu Manuals provides numerous advantages over physical copies of books and documents. Firstly, it is incredibly convenient. Gone are the days of carrying around heavy textbooks or bulky folders filled with papers. With the click of a button, you can gain immediate access to valuable resources on any device. This convenience allows for efficient studying, researching, and reading on the go. Moreover, the cost-effective nature of downloading Tohatsu Manuals has democratized knowledge. Traditional books and academic journals can be expensive, making it difficult for individuals with limited financial resources to access information. By offering free PDF downloads, publishers and authors are enabling a wider audience to benefit from their work. This inclusivity promotes equal opportunities for learning and personal growth. There are numerous websites and platforms where individuals can download Tohatsu Manuals. These websites range from academic databases offering research papers and journals to online libraries with an expansive collection of books from various genres. Many authors and publishers also upload their work to specific websites, granting readers access to their content without any charge. These platforms not only provide access to existing literature but also serve as an excellent platform for undiscovered authors to share their work with the world. However, it is essential to be cautious while downloading Tohatsu Manuals. Some websites may offer pirated or illegally obtained copies of copyrighted material. Engaging in such activities not only violates copyright laws but also undermines the efforts of authors, publishers, and researchers. To ensure ethical downloading, it is advisable to utilize reputable websites that prioritize the legal distribution of content. When downloading Tohatsu Manuals, users should also consider the potential security risks associated with online platforms. Malicious actors may exploit vulnerabilities in unprotected websites to distribute malware or steal personal information. To protect themselves, individuals should ensure their devices have reliable antivirus software installed and validate the legitimacy of the websites they are downloading from. In conclusion, the ability to download Tohatsu Manuals has transformed the way we access information. With the convenience, cost-effectiveness, and accessibility it offers, free PDF downloads have become a popular choice for students, researchers, and book lovers worldwide. However, it is crucial to engage in ethical downloading practices and prioritize personal security when utilizing online platforms. By doing so, individuals can make the most of the vast array of free PDF resources available and embark on a journey of continuous learning and intellectual growth.

FAQs About Tohatsu Manuals Books

How do I know which eBook platform is the best for me? Finding the best eBook platform depends on your reading preferences and device compatibility. Research different platforms, read user reviews, and explore their features before making a choice. Are free eBooks of good quality? Yes, many reputable platforms offer high-quality free eBooks, including classics and public domain works. However, make sure to verify the source to ensure the eBook credibility. Can I read eBooks without an eReader? Absolutely! Most eBook platforms offer webbased readers or mobile apps that allow you to read eBooks on your computer, tablet, or smartphone. How do I avoid digital eye strain while reading eBooks? To prevent digital eye strain, take regular breaks, adjust the font size and background color, and ensure proper lighting while reading eBooks. What the advantage of interactive eBooks? Interactive eBooks incorporate multimedia elements, quizzes, and activities, enhancing the reader engagement and providing a more immersive learning experience. Tohatsu Manuals is one of the best book in our library for free trial. We provide copy of Tohatsu Manuals in digital format, so the resources that you find are reliable. There are also many Ebooks of related with Tohatsu Manuals. Where to download Tohatsu Manuals online for free? Are you looking for Tohatsu Manuals PDF? This is definitely going to save you time and cash in something you should think about. If you trying to find then search around for online. Without a doubt there are numerous these available and many of them have the freedom. However without doubt you receive whatever you purchase. An alternate way to get ideas is always to check another Tohatsu Manuals. This method for see exactly what may be included and adopt these ideas to your book. This site will almost certainly help you save time and effort, money and stress. If you are looking for free books then you really should consider finding to assist you try this. Several of Tohatsu Manuals are for sale to free while some are payable. If you arent sure if the books you would like to download works with for usage along with your computer, it is possible to download free trials. The free guides make it easy for someone to free access online library for download books to your device. You can get free download on free trial for lots of books categories. Our library is the biggest of these that have literally hundreds of thousands of different products categories represented. You will also see that there are specific sites catered to different product types or categories, brands or niches related with Tohatsu Manuals. So depending on what exactly you are searching, you will be able to choose e books to suit your own need. Need to access completely for Campbell Biology Seventh Edition book? Access Ebook without any digging. And by having access to our ebook online or by storing it on your computer, you have convenient answers with Tohatsu Manuals To get started finding Tohatsu Manuals, you are right to find our website which has a comprehensive collection of books online. Our library is the biggest of these that have literally hundreds of thousands of different products represented. You will also see that there are specific sites catered to different categories or niches related with Tohatsu Manuals So depending on what exactly you are searching, you will be able tochoose ebook to suit your own need. Thank you for reading Tohatsu Manuals. Maybe you have knowledge that, people have

search numerous times for their favorite readings like this Tohatsu Manuals, but end up in harmful downloads. Rather than reading a good book with a cup of coffee in the afternoon, instead they juggled with some harmful bugs inside their laptop. Tohatsu Manuals is available in our book collection an online access to it is set as public so you can download it instantly. Our digital library spans in multiple locations, allowing you to get the most less latency time to download any of our books like this one. Merely said, Tohatsu Manuals is universally compatible with any devices to read.

Find Tohatsu Manuals :

their day in the sun women of the 1932 olympics

theory of vibration thomson solution manual

theorique pratique daccouchements classic reprint

therapy pets the animal human healing partnership

the world health report 2001 mental health new understanding new hope

their man in the white house

the yarn stash workbook great ideas and dozens of projects

the yellow emperors classic of internal medicine chapters 1 34

therapeutic exercise foundations and techniques

~~theories of chemical reaction rates~~

the zoopendous surprise

the zapp method of couture sewing anna zapp

~~theodore roosevelt an intimate biography~~

theology and the arts encountering god through music art and rhetoric

thermal radiation heat transfer howell solution

Tohatsu Manuals :

the unexpected houseplant 220 extraordinary choices for - Oct 05 2023

web the unexpected houseplant by renowned plant authority tovah martin offers a revolutionary approach to houseplants

instead of the typical varieties martin suggests

unexpected houseplant 220 extraordinary choices for every - Dec 15 2021

web the unexpected houseplant 220 extraordinary choices for the unexpected houseplant 220 extraordinary choices for tovah

martin wisconsin public radio chicago med 1x09

the unexpected houseplant 220 extraordinary choices for every - Apr 30 2023

web get this from a library the unexpected houseplant 220 extraordinary choices for every spot in your home tovah martin kindra clineff the unexpected houseplant by

free the unexpected houseplant 220 extraordinary - Mar 18 2022

web the unexpected houseplant 220 extraordinary choices for every spot in your home free download tovah martin kindra clineff 328 pages 28

unexpected houseplant 220 extraordinary choices for every - Feb 14 2022

web the unexpected houseplant 220 extraordinary choices for grow an unexpected houseplant garden club the unexpected houseplant page a day tovah martin books

the unexpected houseplant 220 extraordinary choices for - Feb 26 2023

web it s time for plant lovers to dust off their houseplants update their image and discover just how exciting trendy and crucial plants can be in the home the unexpected

the unexpected houseplant 220 extraordinary choices for every - Jun 01 2023

web the unexpected houseplant 220 extraordinary choices for every spot in your home authors tovah martin kindra clineff summary the unexpected houseplant by

the unexpected houseplant book review planet natural - Oct 25 2022

web nov 19 2012 the unexpected houseplant 220 extraordinary choices for every spot in you home by tovah martin photographs by kindra clineff timber press books

amazon com customer reviews the unexpected houseplant - Jul 22 2022

web find helpful customer reviews and review ratings for the unexpected houseplant 220 extraordinary choices for every spot in your home at amazon com read honest and

the unexpected houseplant 220 extraordinary choices for - Aug 03 2023

web articles the unexpected houseplant 220 extraordinary choices for every spot in your home contributor what i loved most about the unexpected houseplant tovah

the unexpected houseplant 220 extraordinary choices for - Mar 30 2023

web add a gift card to your order choose your denomination

the unexpected houseplant 220 extraordinary choices for - Jan 28 2023

web the unexpected houseplant by renowned plant authority tovah martin offers a revolutionary approach to houseplants instead of the typical varieties martin suggests

[17 unusual houseplants you won't believe exist](#) - Jan 16 2022

web definitely a precious addition to my houseplant collection macodes petola has a spreading habit growing around 18 inches tall and wide although fancy in appearance jewel

[the unexpected houseplant 220 extraordinary choices](#) - Jul 02 2023

web aug 28 2012 3 84 418 ratings55 reviews it's time for plant lovers to dust off their houseplants update their image and discover just how exciting trendy and crucial

the unexpected houseplant 220 extraordinary choices for every - Dec 27 2022

web the unexpected houseplant 220 extraordinary choices for every room in your home authors tovah martin kindra clineff summary a guide to raising house plants with

[unexpectedhouseplant220extraordinarychoicesf maggie macnab](#) - Apr 18 2022

web a necessity in addition to design flair houseplants clean indoor air which can be up to ten times more polluted along with loads of visual inspiration readers will learn how to make

the unexpected houseplant 220 extraordinary choices for - Aug 23 2022

web the unexpected houseplant 220 extraordinary choices for every spot in your home by tovah martin 2012 trade paperback 5 product ratings expand ratings average

the unexpected houseplant 220 extraordinary choices for every - Nov 25 2022

web the unexpected houseplant 220 extraordinary choices for every spot in your home timber press 1 2012 tovah martin indoor plants have gotten a bad rap and are often

the unexpected houseplant 220 extraordinary choices - Sep 04 2023

web aug 28 2012 the unexpected houseplant by renowned plant authority tovah martin offers a revolutionary approach to houseplants instead of the typical varieties martin

[unexpected houseplant 220 extraordinary choices f 2023](#) - Nov 13 2021

web irrelevant struggling to relate to women whose choices seem so different from her own but with time and the encouragement of the prison chaplain she begins to discover

the unexpected houseplant 220 extraordinary choices for - May 20 2022

web the unexpected houseplant 220 extraordinary choices for every spot in your home it's time for plant lovers to dust off their houseplants update their image and discover ju

the unexpected houseplant 220 extraordinary choices for - Jun 20 2022

web the unexpected houseplant 220 extraordinary choices for every room in your home book

the unexpected houseplant 220 extraordinary choices for every - Sep 23 2022

web access restricted item true addeddate 2022 05 27 18 12 13 associated names clineff kindra autocrop version 0 0 13
books 20220331 0 2 bookplateleaf 0002

pdf l humiliation de marie ange - Nov 30 2022

web que raconter de marie ange une femme porteuse de trisomie 21 rappelée à dieu à l âge de 53 ans qui n a laissé qu une poignée de lettres parlait peu et a passé trente trois ans de sa vie cachée donnée dans un humble monastère de la les vertus de la vierge marie suite l humilité révélée lors de l - Aug 28 2022

web mar 25 2022 a l annonciation de l ange gabriel la vierge marie nous révèle une vertu fondamentale du chrétien l humilité celle ci est l acceptation de soi et la volonté de se soumettre en tout au seigneur dans une confiance parfaite *l humiliation de marie ange louis bourdaloue copy* - Sep 28 2022

web l humiliation de marie ange right here we have countless books l humiliation de marie ange and collections to check out we additionally find the money for variant types and then type of the books to browse the satisfactory book fiction history novel scientific research as capably as various other sorts of books are readily

l humiliation de marie ange turn dsvolition - Jun 06 2023

web l humiliation de marie ange 1 l humiliation de marie ange un goût de sapotille oeuvres suite des dominicales mystères panégryriques châteauneuf carrefour de sainteté oeuvres complètes les veritez et excellences de iesus christ nostre seigneur disposées par meditations pour tous les iours de l année Édition dernière

l humiliation de marie ange format kindle amazon fr - Oct 10 2023

web marie ange est une femme divorcée de quarante cinq ans qui mène une vie tranquille et bien rangée avec sa fille anne sophie quand hugo emménage dans le même immeuble qu elles marie ange n imagine pas un instant que le jeune homme va s enticher d elle et qu elle cédera à ses avances

l humiliation de marie ange french edition kindle □ □ □ □ - Feb 02 2023

web jan 16 2019 l humiliation de marie ange french edition kindle edition by winter sophia download it once and read it on your kindle device pc phones or tablets use features like bookmarks note taking and highlighting while reading l humiliation de marie ange french edition

robitaille marie ange lemelin le journal de québec - Feb 19 2022

web 2 days ago robitaille marie ange lemelin 1927 2023 au centre d hébergement st jean eudes le 11 octobre 2023 à l âge de 96 ans et 3 mois est décédée mada

l humiliation de marie ange by sophia winter goodreads - Apr 04 2023

web marie ange est une femme divorcée de quarante cinq ans qui mène une vie tranquille et bien rangée avec sa fille anne sophie quand hugo emménage dans le même immeuble qu elles marie ange n imagine pas un instant que le jeune homme va

s enticher d elle et qu elle cédera à ses avances

l humiliation de marie ange french edition format kindle - Mar 03 2023

web l humiliation de marie ange french edition ebook winter sophia amazon ca boutique kindle

l humiliation de marie ange by sophia winter - Jul 27 2022

web sep 6 2023 winter sophia fr 25 03 annonce de la bienheureuse vierge marie tlcharger l humiliation de marie ange de sophia winter 25 mars annonce de la vierge marie site de m l prophte l ange emmanuel dolsky officiel posts facebook tlcharger with love 1 vadim de marie h j epub pdf le magnificat cantique de

l humiliation de marie ange french edition ebook kindle - Jan 01 2023

web compre o ebook l humiliation de marie ange french edition de winter sophia na loja ebooks kindle encontro ofertas os livros mais vendidos e dicas de leitura na amazon brasil

l humiliation de marie ange gratuitement en epub - Jul 07 2023

web l humiliation de marie ange est un livre à télécharger gratuitement en epub pdf et mobi par l auteur sophia winter téléchargez votre livre dans différents formats télécharger gratuitement sur amazon

angèle cette humiliation publique qu elle peine à oublier - Mar 23 2022

web nov 16 2021 contre toute attente le magazine publie une photo sur laquelle elle avait pourtant mis son véto on l avait faite quelques mois avant de manière très innocente et puis on avait décidé de ne pas la garder de ne pas la sortir comme j étais blonde jeune avec du rouge à lèvres rouge et que je faisais une petite moue on s était dit que c était

l humiliation de marie ange askstage sharkexperience - Jun 25 2022

web this l humiliation de marie ange as one of the most energetic sellers here will completely be accompanied by the best options to review l humiliation de marie

marie ange 49 ans découvre qu elle souffre d une forme - Apr 23 2022

web nov 6 2023 et près d un sur trois 30 affirme même que le patient est en partie responsable de sa maladie l exemple de marie ange contredit clairement cette idée reçue

l humiliation de marie ange viabooks - May 05 2023

web l humiliation de marie ange année de publication 2019 genres fiction nombre de page 161 pages prix éditeur 2 99 isbn b07mwwg3c84 source amazon acheter ce livre ma liste de lecture résumé marie ange est une femme divorcée de quarante cinq ans qui mène une vie tranquille et bien rangée avec sa fille anne sophie

l humiliation de marie ange archives d anna - Sep 09 2023

web marie ange est une femme divorcée de quarante cinq ans qui mène une vie tranquille et bien rangée avec sa fille anne sophie quand hugo emménage dans le même immeuble qu elles marie ange n imagine pas un instant que le jeune homme va

s enticher d elle et qu elle cédera à ses avances

marie ange recueille un chat dans l unique bar de rougé actu - May 25 2022

web 1 day ago il y a huit ans marie ange fauchoux a pris le relais de sa mère pour reprendre l unique bar de rougé chez françoise un lieu familial et atypique avec la présence d un chat

[l humiliation de marie ange de sophia winter epub pdf](#) - Aug 08 2023

web télécharger l humiliation de marie ange de sophia winter gratuit marie ange est une femme divorcée de quarante cinq ans qui mène une vie tranquille et bien rangée avec sa fille anne sophie quand hugo emménage dans le même immeuble qu elles marie ange n imagine pas un instant que le jeune homme va s enticher d elle et qu elle cédera

l humiliation de marie ange de sophia winter bookys - Oct 30 2022

web marie ange est une femme divorcée de quarante cinq ans qui mène une vie tranquille et bien rangée avec sa fille anne sophie quand hugo emménage dans le même immeuble qu elles marie ange n imagine pas un instant que le jeune homme va s enticher d elle et qu elle cédera à ses avances mais anne sophie ne semble pas partager les mêmes

[sefer ne demek ne anlama gelir sefer kelimesi tdk](#) - Jan 29 2023

web sep 12 2023 sefer kelimesi anlamı hakkında bilgi sahibi olarak günlük hayatta rahatlıkla kullanabilirsiniz tdk ya göre sefer kelimesi ne demek ve kökeni nedir sorularına sizler için yanıt hazırladık

[İzban eshot otobüs sefer çalışma saatleri ve güzergahları](#) - Sep 05 2023

web oct 31 2023 İzban sefer saatleri İzban seferlerinin saatleri hafta sonu hafta içi resmi ve dini bayram tatilleri olmak üzere farklılık gösteriyor ancak seferler genel olarak sabahları 05 20 de

sefer ne demek tdk sözlük anlamı nedir sefere gitmek milliyet - May 01 2023

web aug 4 2021 sefer ne demek tdk sözlük anlamı nedir türk dil kurumu açısından ele alındığı zaman sefer kelimesi için farklı şekillerde ifadeler ön plana çıkıyor gezmek gezinti yapmak

sefer ne demek sefer kelimesinin tdk sözlük anlamı nedir - Jun 02 2023

web may 18 2022 sefer kelimesinin tdk sözlük anlamı nedir mynet eğitim sefer kelimesinin ne demek olduğunu tdk sözlük anlamı ve kökeni ile birlikte mynet

sefer ne demek tdk ya göre sefer kelimesi ne anlama gelir milliyet - Jul 03 2023

web apr 6 2023 tdk ya göre sefer kelimesi ne anlama gelir türk dil kurumu içerisinde sefer kelimesi savaş için yapılan yolculuk ya da hazırlık süreci şeklinde anlamlandırılmaktadır

sigara içmek için bomba sohbeti yaptılar sefer 10 saat geç - Aug 04 2023

web nov 6 2023 İddiaya göre anadolujet in dün saat 07 35 te batman a gidecek olan tk 7370 sefer sayılı uçağı uzun süre kalkmayınca iki yolcu sigara içmek için aralarında bomba var

sefer tdv İslâm ansiklopedisi - Dec 28 2022

web sÜleyman uludaĖ sefer tdv İslâm ansiklopedisi islamansiklopedisi org tr sefer tasavvuf 10 10 2023 kopyalama metni sözlükte yolculuk yapmak seyahat anlamına gelen sefer kelimesi çoĖulu esfâr tasavvufta sâlikin nefsinin terbiye etmek ve hakka ermek için yaptığı maddî bedenî ve mânevî bâtinî

sefer ne demek sefer kelimesinin tdk sözlük anlamı nedir - Feb 27 2023

web oct 18 2022 sefer kelimesinin tdk sözlük anlamı ne demektir sefer kelimesi ile ilgili arattırılan sıkça sorulan sorulara haberin detayından ulaşabilirsiniz haberler 18 10 2022 01 32

sefer ne demek tdk ya göre sefer sözlük anlamı nedir - Oct 06 2023

web aug 27 2021 sefer kelimesi ne demek sefer kelimesi tdk anlamı sefer kelimesi dilimizde sıklıkla karşımıza çıkan sözcükler arasındadır sefer kelimesi arapça kökenlidir

sefer tdv İslâm ansiklopedisi - Mar 31 2023

web sözlükte yazmak yolculuk yapmak yolculuk gibi mânalara gelen sefer kelimesi fıkıh terimi olarak şer an aranan şartlar çerçevesinde belirli uzaklıkta bir yere gitmeyi ifade eder fıkhîta daha çok bazı hükümlerin deĖişmesine sebep olan yolculuk şeklinde tanımlanan seferin mukabilinde ikâmet ve hadar kelimeleri