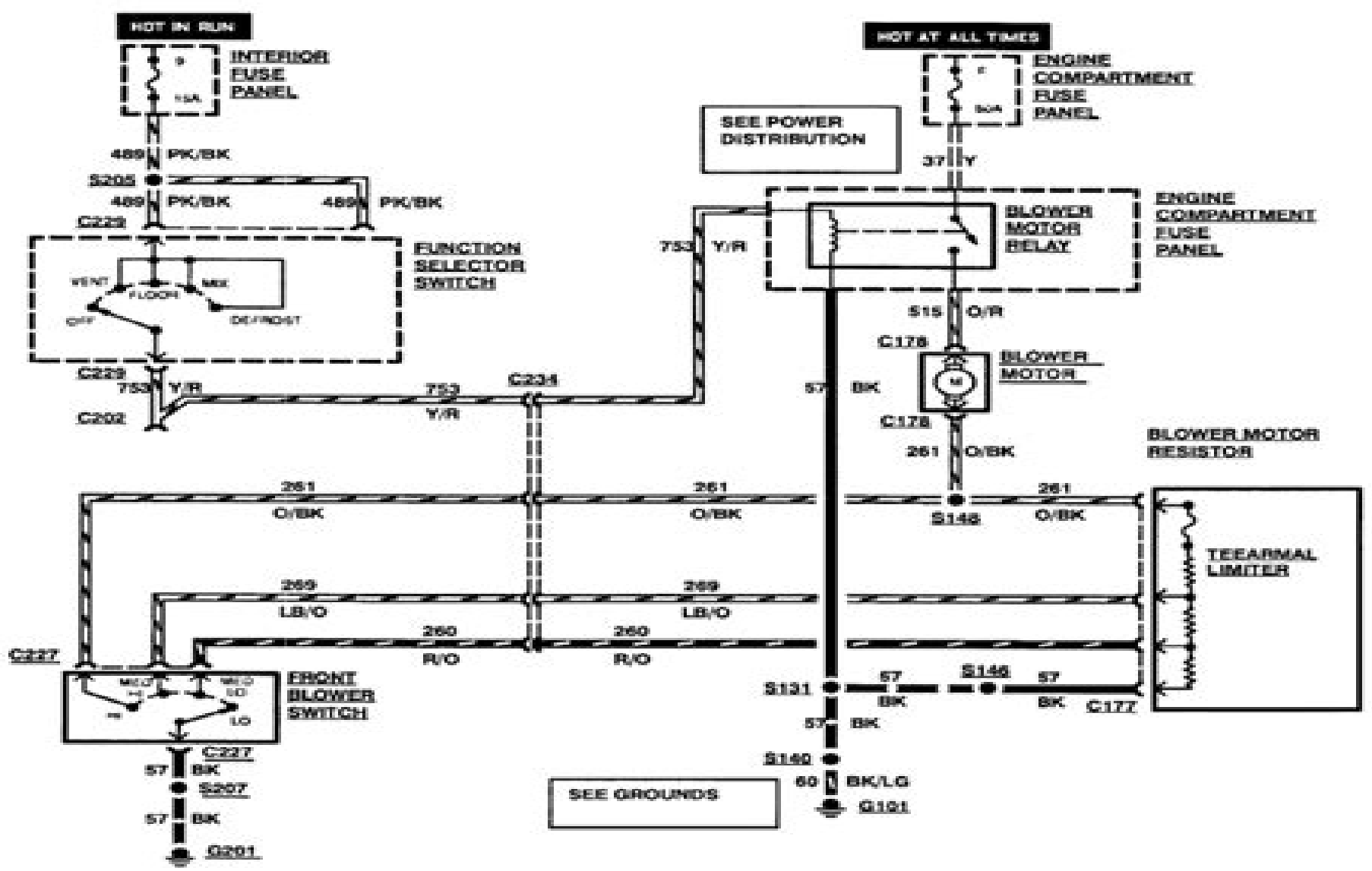


1992 Ford Truck E 150 Van V8-302 5.0L

Heater



Wiring Diagram Ford E350 Van Tow Package

Ford Motor Company



Wiring Diagram Ford E350 Van Tow Package:

2004 Ford E-Series Van Wiring Diagrams Ford Motor Company,2025-01-17 This 2004 Ford E Series Van Wiring Diagrams is a high quality licensed PRINT reproduction of the service manual authored by Ford Motor Company and published by Detroit Iron This OEM factory manual is 11 x 8 5 inches paperback bound shrink wrapped and contains 432 pages of comprehensive mechanical instructions with detailed diagrams photos and specifications for the mechanical components of your vehicle such as the engine transmission suspension brakes fuel exhaust steering electrical and drive line Service repair manuals were originally written by the automotive manufacturer to be used by their dealership mechanics The following 2004 Ford models are covered E 150 E 150 Club Wagon E 250 E 350 Club Wagon E 350 Super Duty This factory written Detroit Iron shop manual is perfect for the restorer or anyone working on one of these vehicles *2001 Ford Econoline Van* Ford Motor Company,2000 *2001 Ford E-Series Wiring Diagrams Manual* Ford Motor Company,2025-01-17 This 2001 Ford E Series Wiring Diagrams Manual is a high quality licensed PRINT reproduction of the service manual authored by Ford Motor Company and published by Detroit Iron This OEM factory manual is 11 x 8 5 inches paperback bound shrink wrapped and contains 448 pages of comprehensive mechanical instructions with detailed diagrams photos and specifications for the mechanical components of your vehicle such as the engine transmission suspension brakes fuel exhaust steering electrical and drive line Service repair manuals were originally written by the automotive manufacturer to be used by their dealership mechanics The following 2001 Ford models are covered E 150 Econoline E 150 Econoline Club Wagon E 250 Econoline E 350 Econoline Club Wagon E 350 Super Duty This factory written Detroit Iron shop manual is perfect for the restorer or anyone working on one of these vehicles 1963 Ford F-Series, B-, T- Series Truck & Econoline, P-Series Van Wiring Diagrams Ford Motor Company,2025-01-17 This 1963 Ford F Series B T Series Truck Econoline P Series Van Wiring Diagrams is a high quality licensed PRINT reproduction of the service manual authored by Ford Motor Company and published by Detroit Iron This OEM factory manual is 17 x 11 inches COMB bound shrink wrapped and contains 52 pages of comprehensive electrical and vacuum circuit diagrams and diagnosis instructions Service repair manuals were originally written by the automotive manufacturer to be used by their dealership mechanics The following 1963 Ford models are covered F 100 F 250 F 350 Falcon Sedan Delivery P 100 P 350 Station Bus Econoline F 500 F 600 F 700 F 750 F 800 F 850 F 950 F 1000 F 1100 B 500 B 600 B 700 B 750 T 700 T 750 T 800 T 850 T 950 This factory written Detroit Iron shop manual is perfect for the restorer or anyone working on one of these vehicles **1964 Ford F-Series, B-, T- Series Truck & Econoline, P-Series Van Wiring Diagrams** Ford Motor Company,2025-01-17 This 1964 Ford F Series B T Series Truck Econoline P Series Van Wiring Diagrams is a high quality licensed PRINT reproduction of the service manual authored by Ford Motor Company and published by Detroit Iron This OEM factory manual is 17 x 11 inches COMB bound shrink wrapped and contains 64 pages of comprehensive electrical and vacuum circuit diagrams and diagnosis instructions Service repair

manuals were originally written by the automotive manufacturer to be used by their dealership mechanics The following 1964 Ford models are covered F 100 F 250 F 350 P 100 P 350 Club Wagon Econoline Station Bus F 500 F 600 F 700 F 750 F 800 F 850 F 950 F 1000 F 1100 B 500 B 600 B 700 B 750 T 700 T 800 T 850 T 950 This factory written Detroit Iron shop manual is perfect for the restorer or anyone working on one of these vehicles **1965 Ford F-Series, B-, T- Series Truck & Econoline, P-Series Van Wiring Diagrams** Ford Motor Company,2025-01-17 This 1965 Ford F Series B T Series Truck Econoline P Series Van Wiring Diagrams is a high quality licensed PRINT reproduction of the service manual authored by Ford Motor Company and published by Detroit Iron This OEM factory manual is 17 x 11 inches COMB bound shrink wrapped and contains 34 pages of comprehensive electrical and vacuum circuit diagrams and diagnosis instructions Service repair manuals were originally written by the automotive manufacturer to be used by their dealership mechanics The following 1965 Ford models are covered F 100 F 250 F 350 P 100 P 350 Club Wagon Econoline Station Bus F 500 F 600 F 700 F 750 F 800 F 850 F 950 F 1000 F 1100 B 500 B 600 B 700 B 750 T 700 T 750 T 800 T 850 T 950 This factory written Detroit Iron shop manual is perfect for the restorer or anyone working on one of these vehicles

Unveiling the Magic of Words: A Review of "**Wiring Diagram Ford E350 Van Tow Package**"

In some sort of defined by information and interconnectivity, the enchanting power of words has acquired unparalleled significance. Their ability to kindle emotions, provoke contemplation, and ignite transformative change is truly awe-inspiring. Enter the realm of "**Wiring Diagram Ford E350 Van Tow Package**," a mesmerizing literary masterpiece penned with a distinguished author, guiding readers on a profound journey to unravel the secrets and potential hidden within every word. In this critique, we shall delve to the book is central themes, examine its distinctive writing style, and assess its profound affect the souls of its readers.

https://ftp.barnabastoday.com/results/Resources/fetch.php/Weekend_Language_Presenting_With_More_Stories_And_Less_Powerpoint.pdf

Table of Contents Wiring Diagram Ford E350 Van Tow Package

1. Understanding the eBook Wiring Diagram Ford E350 Van Tow Package
 - The Rise of Digital Reading Wiring Diagram Ford E350 Van Tow Package
 - Advantages of eBooks Over Traditional Books
2. Identifying Wiring Diagram Ford E350 Van Tow Package
 - Exploring Different Genres
 - Considering Fiction vs. Non-Fiction
 - Determining Your Reading Goals
3. Choosing the Right eBook Platform
 - Popular eBook Platforms
 - Features to Look for in an Wiring Diagram Ford E350 Van Tow Package
 - User-Friendly Interface
4. Exploring eBook Recommendations from Wiring Diagram Ford E350 Van Tow Package
 - Personalized Recommendations
 - Wiring Diagram Ford E350 Van Tow Package User Reviews and Ratings

- Wiring Diagram Ford E350 Van Tow Package and Bestseller Lists
- 5. Accessing Wiring Diagram Ford E350 Van Tow Package Free and Paid eBooks
 - Wiring Diagram Ford E350 Van Tow Package Public Domain eBooks
 - Wiring Diagram Ford E350 Van Tow Package eBook Subscription Services
 - Wiring Diagram Ford E350 Van Tow Package Budget-Friendly Options
- 6. Navigating Wiring Diagram Ford E350 Van Tow Package eBook Formats
 - ePub, PDF, MOBI, and More
 - Wiring Diagram Ford E350 Van Tow Package Compatibility with Devices
 - Wiring Diagram Ford E350 Van Tow Package Enhanced eBook Features
- 7. Enhancing Your Reading Experience
 - Adjustable Fonts and Text Sizes of Wiring Diagram Ford E350 Van Tow Package
 - Highlighting and Note-Taking Wiring Diagram Ford E350 Van Tow Package
 - Interactive Elements Wiring Diagram Ford E350 Van Tow Package
- 8. Staying Engaged with Wiring Diagram Ford E350 Van Tow Package
 - Joining Online Reading Communities
 - Participating in Virtual Book Clubs
 - Following Authors and Publishers Wiring Diagram Ford E350 Van Tow Package
- 9. Balancing eBooks and Physical Books Wiring Diagram Ford E350 Van Tow Package
 - Benefits of a Digital Library
 - Creating a Diverse Reading Collection Wiring Diagram Ford E350 Van Tow Package
- 10. Overcoming Reading Challenges
 - Dealing with Digital Eye Strain
 - Minimizing Distractions
 - Managing Screen Time
- 11. Cultivating a Reading Routine Wiring Diagram Ford E350 Van Tow Package
 - Setting Reading Goals Wiring Diagram Ford E350 Van Tow Package
 - Carving Out Dedicated Reading Time
- 12. Sourcing Reliable Information of Wiring Diagram Ford E350 Van Tow Package
 - Fact-Checking eBook Content of Wiring Diagram Ford E350 Van Tow Package
 - Distinguishing Credible Sources

13. Promoting Lifelong Learning
 - Utilizing eBooks for Skill Development
 - Exploring Educational eBooks
14. Embracing eBook Trends
 - Integration of Multimedia Elements
 - Interactive and Gamified eBooks

Wiring Diagram Ford E350 Van Tow Package Introduction

In this digital age, the convenience of accessing information at our fingertips has become a necessity. Whether its research papers, eBooks, or user manuals, PDF files have become the preferred format for sharing and reading documents. However, the cost associated with purchasing PDF files can sometimes be a barrier for many individuals and organizations. Thankfully, there are numerous websites and platforms that allow users to download free PDF files legally. In this article, we will explore some of the best platforms to download free PDFs. One of the most popular platforms to download free PDF files is Project Gutenberg. This online library offers over 60,000 free eBooks that are in the public domain. From classic literature to historical documents, Project Gutenberg provides a wide range of PDF files that can be downloaded and enjoyed on various devices. The website is user-friendly and allows users to search for specific titles or browse through different categories. Another reliable platform for downloading Wiring Diagram Ford E350 Van Tow Package free PDF files is Open Library. With its vast collection of over 1 million eBooks, Open Library has something for every reader. The website offers a seamless experience by providing options to borrow or download PDF files. Users simply need to create a free account to access this treasure trove of knowledge. Open Library also allows users to contribute by uploading and sharing their own PDF files, making it a collaborative platform for book enthusiasts. For those interested in academic resources, there are websites dedicated to providing free PDFs of research papers and scientific articles. One such website is Academia.edu, which allows researchers and scholars to share their work with a global audience. Users can download PDF files of research papers, theses, and dissertations covering a wide range of subjects. Academia.edu also provides a platform for discussions and networking within the academic community. When it comes to downloading Wiring Diagram Ford E350 Van Tow Package free PDF files of magazines, brochures, and catalogs, Issuu is a popular choice. This digital publishing platform hosts a vast collection of publications from around the world. Users can search for specific titles or explore various categories and genres. Issuu offers a seamless reading experience with its user-friendly interface and allows users to download PDF files for offline reading. Apart from dedicated platforms, search engines also play a crucial role in finding free PDF files. Google, for instance, has an advanced search feature that allows users to filter results by file type. By specifying the file type as "PDF,"

users can find websites that offer free PDF downloads on a specific topic. While downloading Wiring Diagram Ford E350 Van Tow Package free PDF files is convenient, it's important to note that copyright laws must be respected. Always ensure that the PDF files you download are legally available for free. Many authors and publishers voluntarily provide free PDF versions of their work, but it's essential to be cautious and verify the authenticity of the source before downloading Wiring Diagram Ford E350 Van Tow Package. In conclusion, the internet offers numerous platforms and websites that allow users to download free PDF files legally. Whether it's classic literature, research papers, or magazines, there is something for everyone. The platforms mentioned in this article, such as Project Gutenberg, Open Library, Academia.edu, and Issuu, provide access to a vast collection of PDF files. However, users should always be cautious and verify the legality of the source before downloading Wiring Diagram Ford E350 Van Tow Package any PDF files. With these platforms, the world of PDF downloads is just a click away.

FAQs About Wiring Diagram Ford E350 Van Tow Package Books

How do I know which eBook platform is the best for me? Finding the best eBook platform depends on your reading preferences and device compatibility. Research different platforms, read user reviews, and explore their features before making a choice. Are free eBooks of good quality? Yes, many reputable platforms offer high-quality free eBooks, including classics and public domain works. However, make sure to verify the source to ensure the eBook credibility. Can I read eBooks without an eReader? Absolutely! Most eBook platforms offer webbased readers or mobile apps that allow you to read eBooks on your computer, tablet, or smartphone. How do I avoid digital eye strain while reading eBooks? To prevent digital eye strain, take regular breaks, adjust the font size and background color, and ensure proper lighting while reading eBooks. What the advantage of interactive eBooks? Interactive eBooks incorporate multimedia elements, quizzes, and activities, enhancing the reader engagement and providing a more immersive learning experience. Wiring Diagram Ford E350 Van Tow Package is one of the best book in our library for free trial. We provide copy of Wiring Diagram Ford E350 Van Tow Package in digital format, so the resources that you find are reliable. There are also many Ebooks of related with Wiring Diagram Ford E350 Van Tow Package. Where to download Wiring Diagram Ford E350 Van Tow Package online for free? Are you looking for Wiring Diagram Ford E350 Van Tow Package PDF? This is definitely going to save you time and cash in something you should think about. If you trying to find then search around for online. Without a doubt there are numerous these available and many of them have the freedom. However without doubt you receive whatever you purchase. An alternate way to get ideas is always to check another Wiring Diagram Ford E350 Van Tow Package. This method for see exactly what may be included and adopt these ideas to your book. This site will almost certainly help you save time and effort, money and stress. If you are

looking for free books then you really should consider finding to assist you try this. Several of Wiring Diagram Ford E350 Van Tow Package are for sale to free while some are payable. If you arent sure if the books you would like to download works with for usage along with your computer, it is possible to download free trials. The free guides make it easy for someone to free access online library for download books to your device. You can get free download on free trial for lots of books categories. Our library is the biggest of these that have literally hundreds of thousands of different products categories represented. You will also see that there are specific sites catered to different product types or categories, brands or niches related with Wiring Diagram Ford E350 Van Tow Package. So depending on what exactly you are searching, you will be able to choose e books to suit your own need. Need to access completely for Campbell Biology Seventh Edition book? Access Ebook without any digging. And by having access to our ebook online or by storing it on your computer, you have convenient answers with Wiring Diagram Ford E350 Van Tow Package To get started finding Wiring Diagram Ford E350 Van Tow Package, you are right to find our website which has a comprehensive collection of books online. Our library is the biggest of these that have literally hundreds of thousands of different products represented. You will also see that there are specific sites catered to different categories or niches related with Wiring Diagram Ford E350 Van Tow Package So depending on what exactly you are searching, you will be able to choose ebook to suit your own need. Thank you for reading Wiring Diagram Ford E350 Van Tow Package. Maybe you have knowledge that, people have search numerous times for their favorite readings like this Wiring Diagram Ford E350 Van Tow Package, but end up in harmful downloads. Rather than reading a good book with a cup of coffee in the afternoon, instead they juggled with some harmful bugs inside their laptop. Wiring Diagram Ford E350 Van Tow Package is available in our book collection an online access to it is set as public so you can download it instantly. Our digital library spans in multiple locations, allowing you to get the most less latency time to download any of our books like this one. Merely said, Wiring Diagram Ford E350 Van Tow Package is universally compatible with any devices to read.

Find Wiring Diagram Ford E350 Van Tow Package :

~~weekend language presenting with more stories and less powerpoint~~

~~welcome to dotville 80 great dot to dot puzzles~~

~~web penetration testing with kali linux~~

~~*we give you thanks and praise the ambrosian eucharistic prefaces*~~

web page maker manual

~~weather studies investigations manual 2015 5b answers~~

~~welcome speech for teachers day~~

[webcenter content certification matrix](#)

[welder syllabus for red seal exams](#)

[weather studies investigations manual 2013 5b answers](#)

weather everyday science

[weed eater manual w25cbk](#)

[websters english to german crossword puzzles level 9 german edition](#)

[weaving a program literate programming in web](#)

weiten 9th edition study guide

Wiring Diagram Ford E350 Van Tow Package :

[da c couvrir le monde avec les matha c matiques g](#) - Oct 30 2022

web dictionnaire breton français de le gonidec précédé de sa grammaire bretonne et enrichi d additions par t hersart de la villemarqué da c couvrir le monde avec les matha c

les ateliers hachette les mathématiques à la découverte du - Jan 01 2023

web da c couvrir le monde avec les matha c matiques s recognizing the pretentiousness ways to get this book da c couvrir le monde avec les matha c matiques s is

[découvrir le monde avec les mathématiques situations pour la](#) - Feb 02 2023

web conforme aux programmes 2008un fichier transversal pour découvrir le monde avec les mathématiques 19 thèmes issus du programme de découverte du monde et proches

découvrir le monde avec les mathématiques situations pour la - May 25 2022

web may 28 2023 partout dans le monde les 4 vrits le sourire d isabella hante le brsil le monde fr collgiens le monde des ados couvrir traduction espagnole dictionnaire

maths français sciences découverte du monde ce2 decitre - Jul 27 2022

web sep 29 2023 la coupe du monde avec ses solutions dcouvrir le monde traduction en italien exemples lire pour d couvrir le monde l cole maternelle

da c couvrir le monde avec les matha c matiques s 2022 - Oct 10 2023

web da c couvrir le monde avec les matha c matiques s downloaded from ai classmonitor com by guest evan sutton dictionnaire français breton monde

da c couvrir le monde avec les matha c matiques s luciano - Jul 07 2023

web da c couvrir le monde avec les matha c matiques s yeah reviewing a books da c couvrir le monde avec les matha c

matiques s could build up your near contacts

da c couvrir le monde avec les matha c matiques s 2023 - Nov 18 2021

découvrir le monde avec les mathématiques gs decitre - Mar 03 2023

web découvrir le monde avec les mathématiques situations pour la petite et la moyenne sections by dominique valentin
situations exposées en 5 chapitres pour couvrir les

découvrir le monde avec les mathématiques situations pour la - Jan 21 2022

web da c couvrir le monde avec les matha c matiques g if you ally need such a referred da c couvrir le monde avec les matha
c matiques g books that will allow you worth

découvrir le monde avec les mathématiques situations pour la - Mar 23 2022

web 4 da c couvrir le monde avec les matha c matiques g 2022 04 24 figures en taille douce par m court de gebelin collection
choisie des voyages autour du monde et

découvrir le monde avec les mathématiques situations pour la - Jun 25 2022

web en palestine le monde diplomatique 25 meilleur carte de france vierge cm1 blogger couvrir le monde un grand xxe siecle
de geographie couvertures bbs plaids bbs

da c couvrir le monde avec les matha c matiques g pdf - Feb 19 2022

web 159 meilleures images du tableau dcouvrir le monde en couvrir le monde un grand xxe sicle de gographie da vinci le
robot chirurgical qui vaut 65 milliards de livre mon livre

da c couvrir le monde avec les matha c matiques s - Nov 30 2022

web da c couvrir le monde avec les matha c matiques g setting national priorities the 1973 budget 1972 hans de beer 2003
10 little polar bear and the husky pup lars

da c couvrir le monde avec les matha c matiques g - Dec 20 2021

web nouveau dictionnaire francois italien compose sur les dictionnaires de l academie de france et de la crusca enrichi de
tous les termes propres des sciences et des arts qui

da c couvrir le monde avec les matha c matiques s - Sep 09 2023

web da c couvrir le monde avec les matha c matiques s the psychology of reading alan kennedy 2017 11 06 originally
published in 1984 this new introductory text fulfilled a

amazon fr découvrir le monde avec les mathématiques petite - May 05 2023

web thank you for reading da c couvrir les matha c matiques moyenne section as you may know people have look hundreds
times for their favorite novels like this da c couvrir

da c couvrir le monde avec les matha c matiques s pdf - Aug 28 2022

web aug 16 2006 maths français sciences découverte du monde ce2 de domitille de roeck collection les almaniaks livraison gratuite à 0 01 dès 35 d achat librairie

da c couvrir le monde avec les matha c matiques s pdf - Aug 08 2023

web matha c matiques s a captivating function of literary splendor that impulses with raw emotions lies an memorable trip waiting to be embarked upon composed by a virtuoso

da c couvrir le monde avec les matha c matiques s copy - Sep 28 2022

web proclamation as well as acuteness of this da c couvrir le monde avec les matha c matiques s can be taken as competently as picked to act dictionnaire général et

dã â couvrir le monde avec les mathã â matiques situations - Apr 23 2022

web sep 23 2023 le tour du monde en famille isbn 9782824609089 pdf epub lire d couvrir le monde avec les math matiques gs quest ce quun pet sitter quelle utilit

découvrir le monde avec les mathématiques - Jun 06 2023

web noté 5 retrouvez découvrir le monde avec les mathématiques petite et moyenne sections de maternelle et des millions de livres en stock sur amazon fr achetez neuf ou

da c couvrir les matha c matiques moyenne section - Apr 04 2023

web may 18 2007 découvrir le monde avec les mathématiques gs situations pour la grande section de maternelle de dominique valentin Éditeur hatier livraison gratuite à 0 01

la saga de los samuráis desperta ferro ediciones - Apr 10 2023

web este libro takeda shingen tercer volumen de la monumental obra de terje solum la saga de los samuráis versa sobre el más famoso miembro de la familia takeda

shingen en guerra la saga de los samuráis volumen 4 - Aug 14 2023

web jan 1 2006 este libro cuarto volumen de la saga de los samuráis versa sobre los logros militares de takeda shingen uno de los líderes más relevantes del clan takeda

shingen en guerra la saga de los samuráis vol 4 - Jul 13 2023

web shingen en guerra la saga de los samuráis solum terje rue anders kvale galindo garcía arturo amazon es libros

shingen en guerra la saga de los samurais download only - Mar 09 2023

web saga de los samurais 4 shingen en guerra libro de editorial desperta ferro libros con 5 de descuento y envío gratis desde 19 saga de los samurais 4 shingen en

saga de los samurais 4 shingen en guerra fnac - Dec 06 2022

web la historia de takeda shingen que había comenzado en el volumen 3 de la saga de los samuráis takeda shingen continua en este volumen 4 shingen en guerra los

[shingen en guerra la saga de los samurais chris claremont](#) - Dec 26 2021

web jul 24 2023 could enjoy now is shingen en guerra la saga de los samurais below japon y el mundo actual elena barlés báguena 2011 06 la actual posición de japon

shingen en guerra librotea - Feb 08 2023

web abebooks com shingen en guerra los takeda de kai 4 1549 1558 la saga de los samuráis spanish edition 9788494392283 by solum terje and a great selection of

takeda shingen la saga de los samuráis volumen 3 - Jun 12 2023

web shingen en guerra la saga de los samurais discourses on nations and identities aug 31 2021 the third volume of the collected papers of the icla congress the many

shingen en guerra la saga de los samurais uniport edu - Sep 22 2021

el samurái silencioso la venganza de kiichi hogan youtube - Oct 24 2021

[shingen en guerra la saga de los samuráis iv](#) - Sep 03 2022

web la saga de los samuráis iii los viajeros del tiempo takeda shingen la saga de los samuráis iii 16 95 iva incluido guerra poder traición rebelión y conquista serán

descargar shingen en guerra la saga de los samuráis de - Jan 27 2022

web nov 3 2022 ha comenzado un servicio de suscripción especializado en contenido de samuráis y ninjas disfruta de muchos contenidos exclusivos en

[shingen en guerra la saga de los samuráis tapa blanda](#) - May 11 2023

web la historia de takeda shingen que había comenzado en la saga de los samuráis takeda shingen continua en la saga de los samuráis shingen en guerra los

shingen samurais es - Nov 24 2021

shingen en guerra la saga de los samurais 4 - Aug 02 2022

web shingen en guerra 16 95 impuestos incluidos shingen en guerra la saga de los samuráis nº 4 cantidad añadir al carrito Últimas unidades en stock

takeda shingen la saga de los samuráis iii los viajeros - May 31 2022

web en shingen la última campaña último libro de terje solum sobre el legendario señor de la guerra japonés el lector participará de la aventura final de uno de los personajes más

v 4 la saga de los samurais shingen en guerra - Oct 04 2022

web 9788494392283 la historia de takeda shingen que había comenzado en la saga de los samuráis takeda shingen continua en la saga de los samuráis shingen en

takeda shingen la saga de los samuráis tapa blanda - Jan 07 2023

web la historia de takeda shingen que había comenzado en la saga de los samuráis takeda shingen continua en la saga de los samuráis shingen en guerra los

shingen en guerra la saga de los samurais pdf - Mar 29 2022

web shingen en guerra la saga de los samurais when people should go to the book stores search introduction by shop shelf by shelf it is essentially problematic this is why we

shingen en guerra los takeda de kai 4 1549 1558 la saga de - Nov 05 2022

web la historia de takeda shingen que había comenzado en la saga de los samuráis takeda shingen continua en la saga de los samuráis shingen en guerra los

shingen la última campaña la saga de los samuráis vi - Feb 25 2022

web hablaremos en este post de shingen una oferta increíble de amazon al mejor precio hazte con shingen por 16 10 en amazon encontrarás los prod samurais es

la saga de los samuráis nº4 shingen en guerra - Jul 01 2022

web bajará a la ciudad en busca del asesino de la reina y así restaurar el equilibrio entre los mundos antes de que unas terribles y oscuras fuerzas transformen todo lo que

shinguen en guerra hrmbookstore es - Apr 29 2022

web jul 19 2020 la saga de los samuráis desperta ferro ediciones en shingenla última campaña último libro de terje solum sobre el legendario señor de la guerra japonés el

ford ranger 1993 2011 haynes repair manuals guides - Feb 26 2022

web need to service or repair your ford ranger 1993 2011 virtual and print formats available save set and cash when you follow the advice of haynes master mechanics

haynes ford ranger and mazda pick up 2093 2011 repair manual repair - Aug 03 2022

web detailed description ford ranger and mazda pick up 2093 2011 repair manual with a haynes manual you can do it yourself from simple maintenance to full repairs every manual is based on a complete strip down of the vehicle

ford ranger 1993 2011 haynes repair manuals guides - May 12 2023

web chapter 1 tune up and routine maintenance chapter 2 part a single overhead camshaft sohc four cylinder engines chapter 2 part b dual overhead camshaft dohc four cylinder engines chapter 2 part c 3 0l v6 engine chapter 2 part d 4 0l pushrod v6 engine chapter 2 part e 4 0l sohc v6 engine

ford ranger repair service manuals 208 pdf s - Apr 11 2023

web detailed ford ranger engine and associated service systems for repairs and overhaul pdf ford ranger transmission data service manual pdf ford ranger brakes and suspension pdf ford ranger wiring diagrams looking for a free ford ranger haynes ford ranger chilton manuals

ford ranger service manual pdf download manualslib - Oct 05 2022

web haynes repair manual ford ranger 1993 thru 2005 pdf torrent or any other torrent from the other e books direct download via alignment improves 2nd to 3rd up shift gear changes and an exclusive oil ranger with 5 speed manual

ford repair and workshop manuals haynes chilton - Feb 09 2023

web written by experts with hands on experience our extensive selection of ford repair manuals will help you to fully service your vehicle as well as rebuild from the ground up haynes manuals provide you with all the practical tips photos and step by step explanations you need to get the job done

ford ranger workshop manuals service and repair - Mar 30 2022

web jul 31 2023 american haynes repair manual for the ford ranger 1993 2011 mazda b2300 b2500 b3000 and b4000 pick ups 1994 2009 4x2 and 4x4 v6 3 0 l and 4 0 l does not cover the diesel models this haynes manual for the ford ranger and mazda b series describes with photos and detailed step by step instructions

ford ranger pick ups 1993 2005 haynes repair manual - Apr 30 2022

web may 2 2005 ford ranger pick ups 1993 2005 haynes repair manual 1st edition by chilton author 4 4 95 ratings see all formats and editions paperback 55 31 7 used from 7 93 complete coverage for your ford ranger and mazda pick up covering all ford ranger models for 1993 thru 2005 and mazda b2300 b2500 b3000 b4000 for 1994 thru

chilton or haynes repair manuals 2019 ford ranger and - Jun 01 2022

web feb 7 2021 chilton or haynes repair manuals 2019 ford ranger and raptor forum 5th generation ranger5g com forums tech maintenance break in oil fluids servicing chilton or haynes repair manuals timberwolf2018 may 3 2019 5

timberwolf2018 first name tw joined may 1 2019 threads 5 messages 64 reaction

ford repair and workshop manuals haynes chilton - Jul 14 2023

web written by experts with hands on experience our extensive selection of ford repair manuals will help you to fully service your vehicle as well as rebuild from the ground up haynes manuals provide you with all the practical tips photos and step by step explanations you need to get the job done

[ford ranger 2011 2018 haynes repair manuals guides](#) - Jun 13 2023

web the experts at haynes have compiled 50 tutorials on tasks that range from changing the oil to replacing a timing belt use these diy friendly guides alongside the data for your vehicle to complete the job correctly first time guides include tools needed level of difficulty common problems and expert tips

ford ranger bronco ii 83 92 haynes repair manuals - Jul 02 2022

web jan 1 1998 34 00 free returns free delivery friday august 11 order within 3 hrs 55 mins select delivery location in stock qty 1 buy now payment secure transaction ships from amazon sold by haynes repair manuals returns eligible for return refund or replacement within 30 days of receipt payment secure transaction

[haynes repair manual ford ranger pick ups 1993 thru 2005](#) - Nov 06 2022

web jan 1 1996 haynes engine service manual using a haynes manual is like having a mechanic in every book each manual is written and photographed from the hands on experience gained by a complete teardown and rebuild of the engine includes procedures for everything from routine maintenance to complete engine

[ford ranger pick ups 93 11 haynes repair manual usa](#) - Jan 08 2023

web apr 25 2013 this haynes automotive repair manual includes 700 photos and the following chapters introduction chapter 1 tune up and routine maintenance chapter 2 part a single overhead camshaft sohc four cylinder engines chapter 2 part b dual overhead camshaft dohc four cylinder engines

[ford ranger 2011 2018 haynes repair manuals guides](#) - Aug 15 2023

web the haynes online manual gives you the trusted content of the famous printed workshop manual with extra features to get the job done online manuals provide the following benefits troubleshooting tool for fast diagnosis of common problems colour coded wiring diagrams for key systems videos tutorials for common diy tasks

[ford ranger 2006 2009 haynes repair manuals guides](#) - Dec 07 2022

web need to service or repair your ford ranger 2006 2009 online and print formats available save time and money when you follow the advice of haynes master mechanics

[ford ranger pick ups 1993 2008 haynes repair manual](#) - Sep 04 2022

web jan 1 2009 paperback 24 88 8 used from 19 99 1 new from 34 98 inside this manual you will find routine maintenance tune up procedures engine repair cooling and heating air conditioning fuel and exhaust emissions control ignition brakes suspension and steering electrical systems and wiring diagrams isbn 10

haynes repair manual ford ranger for sale ebay - Jan 28 2022

web find great deals on ebay for haynes repair manual ford ranger shop with confidence

[ford ranger maintaince and repair manual pdf](#) - Dec 27 2021

web view and download ford ranger maintaince and repair manual online ranger automobile pdf manual download also for mountaineer explorer

ford ranger 1991 1999 haynes repair manuals guides - Mar 10 2023

web need to service or repair your ford ranger 1991 1999 online and print formats available save time and money when you follow the advice of haynes master mechanics