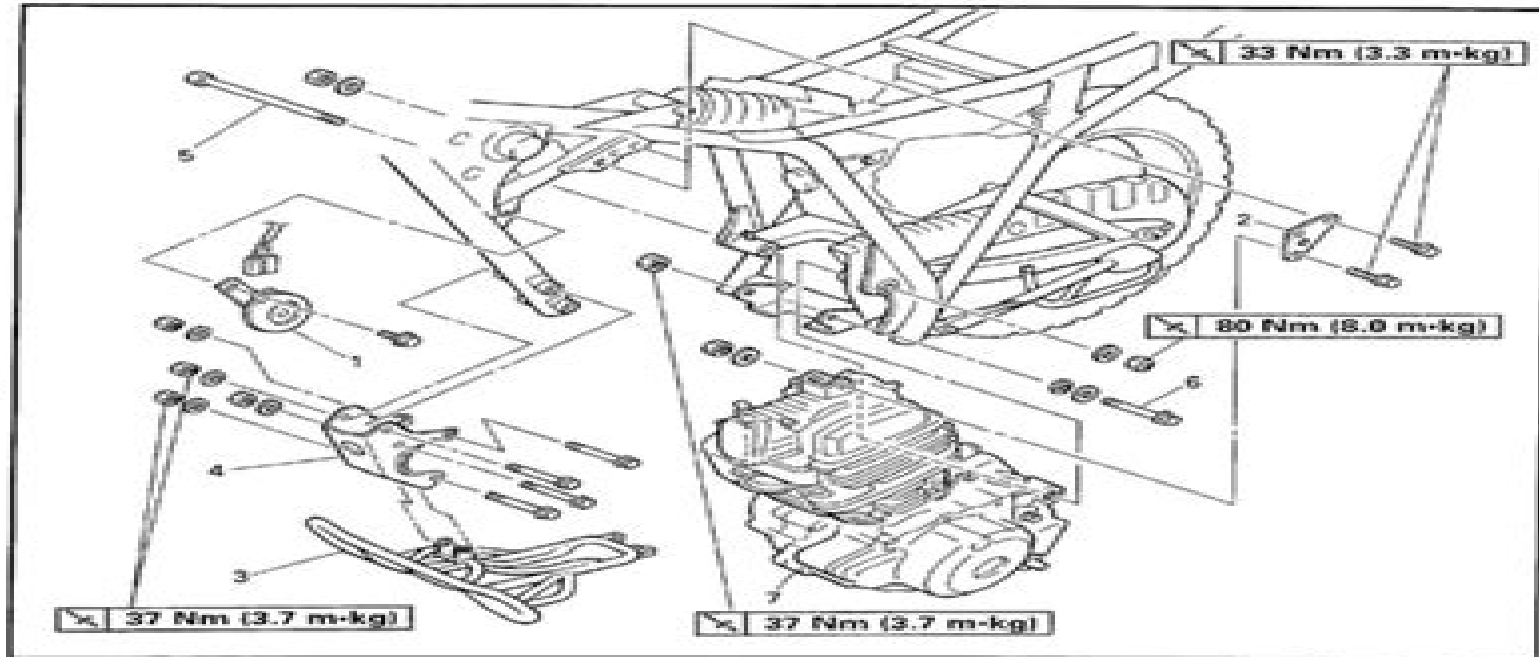




ENGINE



Order	Job name/Part name	Q'ty	Remarks
	Engine removal		Remove the parts in order. ▲WARNING Securely support the motorcycle so there is no danger of it falling over.
1	Horn	1	
2	Engine stay (top)	1	
3	Engine guard	1	
4	Front engine stay	1	
5	Swingarm pivot shaft	1	
6	Engine mount bolt (rear under)	1	
7	Engine	1	Reverse the removal procedure for installation.

Yamaha Ag 200 Manual

Marco Casella



Yamaha Ag 200 Manual:

Power Farming in Australia and New Zealand Technical Manual ,1987 **The Products Liability Resource Manual**
James T. O'Reilly,1993 **Mergent International Manual** ,2009 Moody's International Manual ,2000 **Moody's**
Bank and Finance Manual ,1989 *Motorboating - ND* ,1984-01 **Microtimes** ,1999 **Audio Amateur** ,1989
The British National Bibliography Arthur James Wells,1992 **British Books in Print** ,1985 *Future Music*
,2004 Popular Photography ,1993-10 Paperbound Books in Print ,1991 **Popular Photography** ,2002
Forthcoming Books Rose Arny,2000 **Popular Photography** ,1994-02 **Sound & Vision** ,2003-07 **Cars &**
Parts ,1989 **The Rudder** Thomas Fleming Day,1973 *Annuaire Du Spectacle Pour Les Tournées Au Canada* ,1975
Includes index

If you ally need such a referred **Yamaha Ag 200 Manual** ebook that will present you worth, get the definitely best seller from us currently from several preferred authors. If you want to droll books, lots of novels, tale, jokes, and more fictions collections are moreover launched, from best seller to one of the most current released.

You may not be perplexed to enjoy all books collections Yamaha Ag 200 Manual that we will categorically offer. It is not concerning the costs. Its not quite what you habit currently. This Yamaha Ag 200 Manual, as one of the most full of life sellers here will unquestionably be along with the best options to review.

https://ftp.barnabastoday.com/book/scholarship/Download_PDFS/waar_mijn_vriendin_en_ik_ruzie_over_maken.pdf

Table of Contents Yamaha Ag 200 Manual

1. Understanding the eBook Yamaha Ag 200 Manual
 - The Rise of Digital Reading Yamaha Ag 200 Manual
 - Advantages of eBooks Over Traditional Books
2. Identifying Yamaha Ag 200 Manual
 - Exploring Different Genres
 - Considering Fiction vs. Non-Fiction
 - Determining Your Reading Goals
3. Choosing the Right eBook Platform
 - Popular eBook Platforms
 - Features to Look for in an Yamaha Ag 200 Manual
 - User-Friendly Interface
4. Exploring eBook Recommendations from Yamaha Ag 200 Manual
 - Personalized Recommendations
 - Yamaha Ag 200 Manual User Reviews and Ratings
 - Yamaha Ag 200 Manual and Bestseller Lists
5. Accessing Yamaha Ag 200 Manual Free and Paid eBooks

- Yamaha Ag 200 Manual Public Domain eBooks
 - Yamaha Ag 200 Manual eBook Subscription Services
 - Yamaha Ag 200 Manual Budget-Friendly Options
6. Navigating Yamaha Ag 200 Manual eBook Formats
 - ePub, PDF, MOBI, and More
 - Yamaha Ag 200 Manual Compatibility with Devices
 - Yamaha Ag 200 Manual Enhanced eBook Features
 7. Enhancing Your Reading Experience
 - Adjustable Fonts and Text Sizes of Yamaha Ag 200 Manual
 - Highlighting and Note-Taking Yamaha Ag 200 Manual
 - Interactive Elements Yamaha Ag 200 Manual
 8. Staying Engaged with Yamaha Ag 200 Manual
 - Joining Online Reading Communities
 - Participating in Virtual Book Clubs
 - Following Authors and Publishers Yamaha Ag 200 Manual
 9. Balancing eBooks and Physical Books Yamaha Ag 200 Manual
 - Benefits of a Digital Library
 - Creating a Diverse Reading Collection Yamaha Ag 200 Manual
 10. Overcoming Reading Challenges
 - Dealing with Digital Eye Strain
 - Minimizing Distractions
 - Managing Screen Time
 11. Cultivating a Reading Routine Yamaha Ag 200 Manual
 - Setting Reading Goals Yamaha Ag 200 Manual
 - Carving Out Dedicated Reading Time
 12. Sourcing Reliable Information of Yamaha Ag 200 Manual
 - Fact-Checking eBook Content of Yamaha Ag 200 Manual
 - Distinguishing Credible Sources
 13. Promoting Lifelong Learning
 - Utilizing eBooks for Skill Development

- Exploring Educational eBooks
14. Embracing eBook Trends
- Integration of Multimedia Elements
 - Interactive and Gamified eBooks

Yamaha Ag 200 Manual Introduction

In this digital age, the convenience of accessing information at our fingertips has become a necessity. Whether its research papers, eBooks, or user manuals, PDF files have become the preferred format for sharing and reading documents. However, the cost associated with purchasing PDF files can sometimes be a barrier for many individuals and organizations. Thankfully, there are numerous websites and platforms that allow users to download free PDF files legally. In this article, we will explore some of the best platforms to download free PDFs. One of the most popular platforms to download free PDF files is Project Gutenberg. This online library offers over 60,000 free eBooks that are in the public domain. From classic literature to historical documents, Project Gutenberg provides a wide range of PDF files that can be downloaded and enjoyed on various devices. The website is user-friendly and allows users to search for specific titles or browse through different categories. Another reliable platform for downloading Yamaha Ag 200 Manual free PDF files is Open Library. With its vast collection of over 1 million eBooks, Open Library has something for every reader. The website offers a seamless experience by providing options to borrow or download PDF files. Users simply need to create a free account to access this treasure trove of knowledge. Open Library also allows users to contribute by uploading and sharing their own PDF files, making it a collaborative platform for book enthusiasts. For those interested in academic resources, there are websites dedicated to providing free PDFs of research papers and scientific articles. One such website is Academia.edu, which allows researchers and scholars to share their work with a global audience. Users can download PDF files of research papers, theses, and dissertations covering a wide range of subjects. Academia.edu also provides a platform for discussions and networking within the academic community. When it comes to downloading Yamaha Ag 200 Manual free PDF files of magazines, brochures, and catalogs, Issuu is a popular choice. This digital publishing platform hosts a vast collection of publications from around the world. Users can search for specific titles or explore various categories and genres. Issuu offers a seamless reading experience with its user-friendly interface and allows users to download PDF files for offline reading. Apart from dedicated platforms, search engines also play a crucial role in finding free PDF files. Google, for instance, has an advanced search feature that allows users to filter results by file type. By specifying the file type as "PDF," users can find websites that offer free PDF downloads on a specific topic. While downloading Yamaha Ag 200 Manual free PDF files is convenient, its important to note that copyright laws must be respected. Always ensure that the PDF files you download are legally available for free.

Many authors and publishers voluntarily provide free PDF versions of their work, but its essential to be cautious and verify the authenticity of the source before downloading Yamaha Ag 200 Manual. In conclusion, the internet offers numerous platforms and websites that allow users to download free PDF files legally. Whether its classic literature, research papers, or magazines, there is something for everyone. The platforms mentioned in this article, such as Project Gutenberg, Open Library, Academia.edu, and Issuu, provide access to a vast collection of PDF files. However, users should always be cautious and verify the legality of the source before downloading Yamaha Ag 200 Manual any PDF files. With these platforms, the world of PDF downloads is just a click away.

FAQs About Yamaha Ag 200 Manual Books

How do I know which eBook platform is the best for me? Finding the best eBook platform depends on your reading preferences and device compatibility. Research different platforms, read user reviews, and explore their features before making a choice. Are free eBooks of good quality? Yes, many reputable platforms offer high-quality free eBooks, including classics and public domain works. However, make sure to verify the source to ensure the eBook credibility. Can I read eBooks without an eReader? Absolutely! Most eBook platforms offer web-based readers or mobile apps that allow you to read eBooks on your computer, tablet, or smartphone. How do I avoid digital eye strain while reading eBooks? To prevent digital eye strain, take regular breaks, adjust the font size and background color, and ensure proper lighting while reading eBooks. What the advantage of interactive eBooks? Interactive eBooks incorporate multimedia elements, quizzes, and activities, enhancing the reader engagement and providing a more immersive learning experience. Yamaha Ag 200 Manual is one of the best book in our library for free trial. We provide copy of Yamaha Ag 200 Manual in digital format, so the resources that you find are reliable. There are also many Ebooks of related with Yamaha Ag 200 Manual. Where to download Yamaha Ag 200 Manual online for free? Are you looking for Yamaha Ag 200 Manual PDF? This is definitely going to save you time and cash in something you should think about.

Find Yamaha Ag 200 Manual :

~~waar mijn vriendin en ik ruzie over maken~~

~~walmart pay schedule~~

[vw passat cc user manual](#)

waking charley vaughan

[wacker plate compactor parts manual bpu2440a](#)

[wachten op een oor liefde in de therapie](#)

[vw transporter manual online](#)

[vw transporter t25 manual](#)

walk gently upon the earth

vw vento owners manual

w ren fr her gestorben band kontrafaktische ebook

[wade introduction to analysis solutions manual](#)

[walther p99 instruction manual multilanguage](#)

[wandering god wandering god](#)

[w4180h technical manual](#)

Yamaha Ag 200 Manual :

sang royal tome 03 des loups et des rois google books - May 05 2023

web suite d une saga symbolique grandiose et sensuellealvar est désesparé il était enfin parvenu à la paix avec le royaume voisin lorsque les deux vieux rois avaient fiancé leurs

sang royal tome 03 des loups et des rois hardcover amazon in - Aug 28 2022

web amazon in buy sang royal tome 03 des loups et des rois book online at best prices in india on amazon in read sang royal tome 03 des loups et des rois book reviews author details and more at amazon in free delivery on qualified orders

sang royal tome 03 des loups et des rois download only - Apr 23 2022

web sang royal tome 03 des loups et des rois histoire du règne de louis xiv 3 ptie la décadence guerres de la seconde coalition et de la succession d espagne 1878 79

sang royal tome 03 des loups et des rois amazon com - Jul 07 2023

web dec 4 2013 sang royal tome 03 des loups et des rois liu dongzi jodorowsky alejandro on amazon com free shipping on qualifying offers sang royal tome 03 des loups et des rois

[sang royal tome 03 des loups et des rois cultura](#) - Apr 04 2023

web sang royal tome 03 des loups et des rois aux éditions glénat bd suite d une saga symbolique grandiose et sensuellealvar est désesparé il était enfin parvenu à la paix avec le royaume voisin lorsque les deux vieux rois av

[sang royal tome 03 des loups et des rois sang royal 3](#) - Nov 30 2022

web sang royal tome 03 des loups et des rois sang royal 3 amazon com au books

sang royal tome 03 des loups et des rois format kindle - Sep 09 2023

web sang royal tome 03 des loups et des rois ebook jodorowsky alejandro liu dongzi amazon fr livres

le sang des 7 rois livre trois kobo com - Feb 19 2022

web lisez le sang des 7 rois livre trois le sang des 7 rois t3 de régis goddyn disponible chez rakuten kobo monte dans la vallée celle que tu verras à ta droite en arrivant dans le septième royaume c est une histoire de sang le sang des rois dispersé par l adultère dans les veines de rejetons qu une inquisition

sang royal 3 des loups et des rois issue comic vine - Jul 27 2022

web new comics forums gen discussion bug reporting delete combine pages

sang royal tome 03 des loups et des rois by alejandro - Mar 23 2022

web sep 26 2023 loups et des rois sang royal tome 03 des loups et des rois le sang de la vigne tome 03 pdf download

ormondosman sang royal tous les produits fnac tlcharger vosbooks royal aubrac ebook gratuitement francais livre sang royal tome 04 vengeance et rdemption sang royal tomes 1 3 ebooksfamily wish list de

sang royal tome 03 des loups et des rois amazon fr - Aug 08 2023

web retrouvez sang royal tome 03 des loups et des rois et des millions de livres en stock sur amazon fr achetez neuf ou d occasion amazon fr sang royal tome 03 des loups et des rois jodorowsky alejandro liu dongzi livres

sang royal tome 03 des loups et des rois by amazon ae - Oct 30 2022

web buy sang royal tome 03 des loups et des rois by online on amazon ae at best prices fast and free shipping free returns cash on delivery available on eligible purchase

3 sang royal tome 03 des loups et des rois dongzi liu la - Sep 28 2022

web découvrez et achetez 3 sang royal tome 03 des loups et des rois dongzi liu glénat bd sur lacompagniedeslivres com

royal blood sang royal series by alejandro jodorowsky - Jun 06 2023

web bd series by alejandro jodorowsky and dongzi liu nocés sacrilèges sang royal 1 crime et châtiment sang royal 2 sang royal tome 3 des loups e

3 sang royal tome 03 des loups et des rois dongzi liu - Feb 02 2023

web jun 19 2012 découvrez et achetez 3 sang royal tome 03 des loups et des rois dongzi liu glénat bd sur leslibraires fr

sang royal tome 03 des loups et des rois - May 25 2022

web installées sur le campus du solbosch de l ulb depuis 1958 les presses universitaires de bruxelles sont nées d une initiative commune de l union des anciens Étudiants uae et des bureaux et cercles d étudiants qui voulaient faciliter l accès aux études par l impression des syllabus de cours et par la création d une librairie dédiées aux étudiants

sang royal tome 03 des loups et des rois amazon com br - Jun 25 2022

web compre online sang royal tome 03 des loups et des rois de jodorowsky alejandro liu dongzi na amazon frete grátis em milhares de produtos com o amazon prime encontre diversos livros escritos por jodorowsky alejandro liu dongzi com ótimos preços

sang royal tome 03 Éditions glénat - Oct 10 2023

web dec 4 2013 suite d une saga symbolique grandiose et sensuelle alvar est désemparé il était enfin parvenu à la paix avec le royaume voisin lorsque les deux vieux rois avaient fiancé leurs enfants tous deux se réjouissaient de voir leur futur petit fils régner sur leurs domaines unifiés

sang royal tome 03 des loups et des rois hardcover - Mar 03 2023

web buy sang royal tome 03 des loups et des rois by jodorowsky alejandro liu dongzi isbn 9782723486309 from amazon s book store everyday low prices and free delivery on eligible orders

amazon fr commentaires en ligne sang royal tome 03 des loups et - Jan 01 2023

web découvrez des commentaires utiles de client et des classements de commentaires pour sang royal tome 03 des loups et des rois sur amazon fr lisez des commentaires honnêtes et non biaisés sur les produits de la part nos utilisateurs

the time machine film 2001 comingsoon it - Apr 29 2022

web mar 28 2002 the time machine è un film di genere avventura fantascienza del 2001 diretto da simon wells con guy pearce e jeremy irons uscita al cinema il 28 marzo

the time machine livello b1 2 con espansione onli pdf - Nov 05 2022

web may 28 2023 the time machine livello b1 2 con espansione onli 2 7 downloaded from uniport edu ng on may 28 2023 by guest commercial fisheries abstracts u s fish and

the time machine livello b1 2 con espansione online con cd - Jul 13 2023

web the the time machine livello b1 2 con espansione online con cd audio lingua inglese by herbert g wells d sellen it is thoroughly plain then presently we extend the

the time machine livello b1 2 con espansione online con cd - Aug 14 2023

web acquista online il libro the time machine livello b1 2 con espansione online con cd audio di herbert gee wells in offerta a prezzi imbattibili su mondadori store free delivery and

the time machine livello b1 2 con espansione - Oct 04 2022

web nov 25 2021 livello b1 2 con espansione online con cd audio de h g wells ficha técnica the time machine livello b1 2 con espansione

the time machine livello b1 2 con espansione onli - Mar 29 2022

web the time machine livello b1 2 con espansione onli advances in factories of the future cim and robotics mar 02 2021

productivity enhancement is a major concern

the time machine deascuola - Jun 12 2023

web the time machine attiva libro in sintesi il viaggiatore visita l anno 802701 la gente sembra vivere pacificamente mangiando frutta e raccogliendo fiori per procedere

the time machine livello b1 2 con espansione onli 2022 test - Aug 02 2022

web the time machine livello b1 2 con espansione onli is available in our book collection an online access to it is set as public so you can get it instantly our digital library saves

the time machine livello b1 2 con espansione online con cd - Dec 06 2022

web feb 22 2023 find many great new used options and get the best deals for the time machine livello b1 2 con espansione online con cd audio at the best online

the time machine livello b1 2 con espansione - Sep 03 2022

web dec 12 2021 the time machine livello b1 2 con espansione online con cd audio de h g wells ficha técnica the time machine livello b1 2 con

the time machine livello b1 2 con espansione onli 2022 - Jan 07 2023

web you could buy lead the time machine livello b1 2 con espansione onli or get it as soon as feasible you could speedily download this the time machine livello b1 2 con

the time machine 2002 filmtv it - Jan 27 2022

web mar 29 2002 alexander brillante scienziato e inventore si innamora di emma una sera mentre si trovano a central park vengono aggrediti da un ladro nel corso della

the time machine livello b1 2 con espansione onli copy - Oct 24 2021

web may 16 2023 the time machine livello b1 2 con espansione onli 2 7 downloaded from uniport edu ng on may 16 2023 by guest by the general configuration characteristics of

the time machine livello b1 2 con espansione online con cd - Feb 08 2023

web the time machine livello b1 2 con espansione online con cd audio lingua inglese by herbert g wells d sellen acquista online il libro the time machine livello b1 2 con

the time machine film 2002 mymovies it - Feb 25 2022

web ultimo aggiornamento venerdì 3 gennaio 2020 tratto dal classico della letteratura di fantascienza di h g wells the time machine al box office usa the time machine

the time machine livello b1 2 con espansione online con cd - May 11 2023

web edition workbook answers the time machine level a1 con cd audio per 9 the time machine livello b1 2 con espansione

online con the time machine level a1 con cd

[the time machine livello b1 2 con espansione onli cristina](#) - Nov 24 2021

web revelation as capably as perception of this the time machine livello b1 2 con espansione onli can be taken as with ease as picked to act strange case of dr jekyll

the time machine livello b1 2 con espansione - Jul 01 2022

web nov 28 2021 livello b1 2 con espansione online con cd audio de h g wells ficha técnica the time machine livello b1 2 con espansione

the time machine livello b1 2 con espansione onli agatha - Mar 09 2023

web the time machine livello b1 2 con espansione onli as recognized adventure as without difficulty as experience about lesson amusement as competently as concord

[the time machine livello b1 2 con espansione onli jacqueline](#) - Apr 10 2023

web allowing you to get the most less latency time to download any of our books taking into account this one merely said the the time machine livello b1 2 con espansione

the time machine streaming hd guarda gratis in cb01 - Dec 26 2021

web film the time machine streaming gratis sul nostro sito cb01 the time machine streaming e scaricare in alta definizione hd 720p full hd 1080p ultra hd 4k home

the time machine livello b1 2 con espansione onli pdf - Sep 22 2021

web apr 26 2023 the time machine livello b1 2 con espansione onli recognizing the quirk ways to get this book the time machine livello b1 2 con espansione onli is

[the time machine livello b1 2 con espansione onli 2022](#) - May 31 2022

web the time machine livello b1 2 con espansione onli is additionally useful you have remained in right site to begin getting this info acquire the the time machine livello

[good clean fun misadventures in sawdust at offerman woodshop](#) - Aug 07 2022

web get the full version of this audiobook audiobookscld com b01irsruzygood clean fun misadventures in sawdust at offerman woodshopafter two new york

good clean fun misadventures in sawdust at offerman - Apr 03 2022

web oct 18 2016 listen free to good clean fun misadventures in sawdust at offerman woodshop audiobook by nick offerman with a 30 day free trial stream and download

good clean fun misadventures in sawdust at offerman - Nov 10 2022

web amazon in buy good clean fun misadventures in sawdust at offerman woodshop book online at best prices in india on

amazon in read good clean fun

[good clean fun misadventures in sawdust at offerman woodshop](#) - Jul 06 2022

web good clean fun misadventures in sawdust at offerman woodshop facebook

[good clean fun misadventures in sawdust at offerman](#) - Jun 17 2023

web find helpful customer reviews and review ratings for good clean fun misadventures in sawdust at offerman woodshop at amazon com read honest and unbiased product

[editions of good clean fun misadventures in sawdust at](#) - Mar 14 2023

web good clean fun misadventures in sawdust at offerman woodshop ebook written by nick offerman read this book using google play books app on your pc android ios

good clean fun misadventures in sawdust at offerman - May 04 2022

web goodreads members voted good clean fun misadventures in sawdust at offerman woodshop into the following lists 100 of the best arts entertainment audi

good clean fun misadventures in sawdust at offerman - Mar 02 2022

[good clean fun misadventures in sawdust at offerman woodshop](#) - Jun 05 2022

web discover and share books you love on goodreads

[good clean fun misadventures in sawdust at offerman](#) - Sep 08 2022

web jan 3 2017 good clean fun misadventures in sawdust at offerman woodshop from dymocks online bookstore misadventures in sawdust at offerman woodshop

[good clean fun nick offerman](#) - Jul 18 2023

web buy good clean fun misadventures in sawdust at offerman woodshop by offerman n isbn 9781101984659 from amazon s book store everyday low prices and free

good clean fun misadventures in sawdust at offerman - May 16 2023

web oct 18 2016 rate this book 1 of 5 stars 2 of 5 stars 3 of 5 stars 4 of 5 stars 5 of 5 stars per page editions for good clean fun misadventures in sawdust at offerman

good clean fun misadventures in sawdust at offerman - Jan 12 2023

web good clean fun misadventures in sawdust at offerman woodshop nick offerman amazon com tr kitap [lists that contain good clean fun misadventures in sawdust at](#) - Feb 01 2022

good clean fun misadventures in sawdust at offerman - Aug 19 2023

web oct 18 2016 good clean fun misadventures in sawdust at offerman woodshop offerman nick on amazon com free shipping on qualifying offers good clean

good clean fun misadventures in sawdust at offerman woodshop - Dec 31 2021

good clean fun misadventures in sawdust at offerman - Oct 09 2022

web oct 18 2016 listen free to good clean fun misadventures in sawdust at offerman woodshop audiobook by nick offerman with a 30 day free trial stream and download

good clean fun misadventures in sawdust at - Dec 11 2022

web good clean fun misadventures in sawdust at offerman woodshop hardcover 3 january 2017 by nick offerman author 4 7 4 7 out of 5 stars 2 106 ratings

good clean fun misadventures in sawdust at offerman - Sep 20 2023

web oct 18 2016 4 06 3 181 ratings 304 reviews after two new york times bestsellers nick offerman returns with the subject for which he s known best his incredible real life

good clean fun misadventures in sawdust at offerman woodshop - Feb 13 2023

web oct 18 2016 after two new york times bestsellers nick offerman woodworker actor comedian and co host of nbc s crafting competition series making it returns with the

good clean fun misadventures in sawdust at offerman woodshop - Apr 15 2023

web good clean fun misadventures in sawdust at offerman woodshop kindle edition by nick offerman author format kindle edition 4 7 2 102 ratings see all formats and