

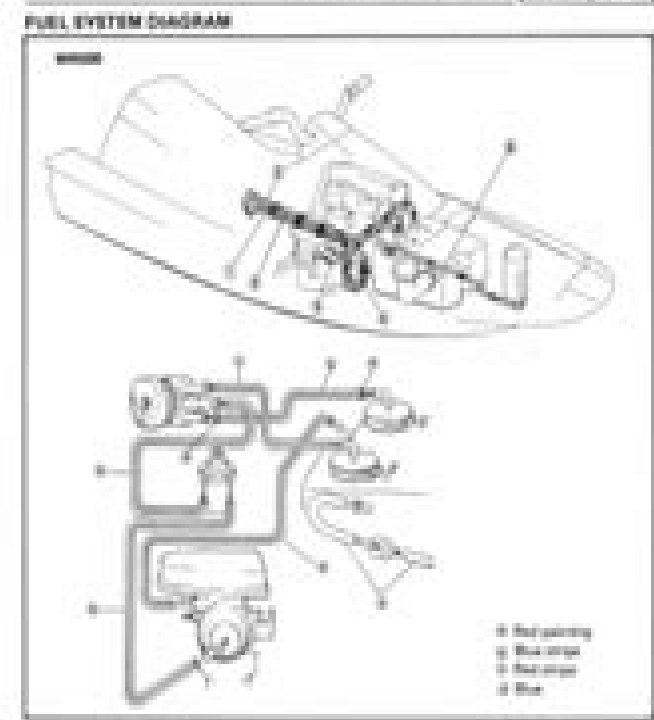
Menu | Home | Insert | Comment | Edit | Page | Protect | Tools | Click to search

Hand Tool | Select Tool | Edit Text | Edit Picture | Screen Grab | PDF to Word | PDF to Picture | Zoom Out | 52.75% | Zoom In | Clockwise | Anticlockwise | Previous

Bookmark

- Identification Numbers
- Dimensions and Arrangements
- Special Tools
- Sealants and Lubricants
- Chapter 2, Periodic Inspections an...
 - Periodic Maintenance
 - Trailing Speed Adjustment
 - Fuel System Inspection
 - Throttle Lever Adjustment
 - Choke Cable Adjustment
 - Steering System Inspection an...
 - Impeller Inspection
 - Electrical System Inspection
 - Hull and Hood Inspection
 - Greasing Points
- Chapter 3, Fuel System
 - Fuel System Diagram

FUEL SYSTEM DIAGRAM **FUEL**



Fuel line wiring guide

Part No.	Description	Dimension	
		Length	Color
1	Fuel hose (24" → Fuel hose (24")	1,200 mm (24.75 in)	Black, with Red gear ring
2	Fuel hose (400 mm → Fuel hose (400 mm)	400 mm (15.75 in)	Black
3	Fuel hose (240 mm → Fuel hose (240 mm)	---	Black
4	Fuel filter (240 mm → Carburetor (240 mm)	400 mm (15.75 in)	Black
5	Carburetor (240 mm → Fuel hose (240 mm)	400 mm (15.75 in)	Black
6	Fuel hose (240 mm → Fuel hose (240 mm)	---	Black

Black: Black Part
 Black: Black Part
 Black: Black

Yamaha 650 Waverunner Service Manual

John Haynes



Yamaha 650 Waverunner Service Manual:

American Motorcyclist, 1992-04 American Motorcyclist magazine the official journal of the American Motorcyclist Association tells the stories of the people who make motorcycling the sport that it is It s available monthly to AMA members Become a part of the largest most diverse and most enthusiastic group of riders in the country by visiting our website or calling 800 AMA JOIN *Yamaha 650 Twins Owners Workshop Manual* John Haynes,1993-06-29 Haynes disassembles every subject vehicle and documents every step with thorough instructions and clear photos Haynes repair manuals are used by the pros but written for the do it yourselfer *Yamaha XJ 650 and XJ 750 Fours Owners Workshop Manual, No. M738* John Haynes,1988-03-31 Haynes offers the best coverage for cars trucks vans SUVs and motorcycles on the market today Each manual contains easy to follow step by step instructions linked to hundreds of photographs and illustrations Included in every manual troubleshooting section to help identify specific problems tips that give valuable short cuts to make the job easier and eliminate the need for special tools notes cautions and warnings for the home mechanic color spark plug diagnosis and an easy to use index This repair manual covers Yamaha XJ650 UK 1980 1984 XJ650 Maxim US 1980 1983 XJ650M Midnight Maxim US 1981 XJ650R Seca US 1982 XJ750 UK 1981 1984 XJ750 Maxim US 1982 1983 XJ750M Midnight Maxim US 1983 and XJ750R Seca US 1981 1983 [Yamaha 650 Twins Owners Workshop Manual](#) Pete Shoemark,Chris Rogers,1990

Yamaha 650 Twins Owners Workshop Manual Pete Shoemark,1986-01-01 [Yamaha TX 650 A, XS 650 B, XS 650 C Service Manual](#) Yamaha Motor Co,1975 **YG650DV, YG650DVE, EF6000DVE** Yamaha International Corporation,1995

Clymer Yamaha 650cc Twins 1970-1982 Penton Staff,1987-07-01 With the help of the Clymer Yamaha 650cc Twins 1970 1982 Repair Manual in your toolbox you will be able to maintain service and repair your motorcycle to extend its life for years to come Clymer manuals are very well known for their thorough and comprehensive nature This manual is loaded with step by step procedures along with detailed photography exploded views charts and diagrams to enhance the steps associated with a service or repair task This Clymer manual is organized by subsystem with procedures grouped together for specific topics such as front suspension brake system engine and transmission It includes color wiring diagrams The language used in this Clymer repair manual is targeted toward the novice mechanic but is also very valuable for the experienced mechanic The service manual by Clymer is an authoritative piece of DIY literature and should provide you the confidence you need to get the job done and save money too **XJ 650 J Service Manual** Yamaha International Corporation,1982 [Yamaha XJ650G/H/J/K Service Manual](#),1982 **Clymer Yamaha 650cc Twins 1970-1982** Penton Staff,1987-07-01 With the help of the Clymer Yamaha 650cc Twins 1970 1982 Repair Manual in your toolbox you will be able to maintain service and repair your motorcycle to extend its life for years to come Clymer manuals are very well known for their thorough and comprehensive nature This manual is loaded with step by step procedures along with detailed photography exploded views charts and diagrams to enhance the steps associated with a service or repair task This Clymer

manual is organized by subsystem with procedures grouped together for specific topics such as front suspension brake system engine and transmission It includes color wiring diagrams The language used in this Clymer repair manual is targeted toward the novice mechanic but is also very valuable for the experienced mechanic The service manual by Clymer is an authoritative piece of DIY literature and should provide you the confidence you need to get the job done and save money too

Yamaha XJ600S (Seca II/Diversion) and XJ600N Owners Workshop Manual Haynes Publishing, Alan Ahlstrand, John Harold Haynes, 1996-02 Haynes disassembles every subject vehicle and documents every step with thorough instructions and clear photos Haynes repair manuals are used by the pros but written for the do it yourselfer **Yamaha Service Manual XS650/TX, 650/XS, 2/XS1, 1971-1980**, 1980 **Yamaha FZ6 Service and Repair Manual** Phil Mather, 2008-01-01 FZ6 S SA Fazer 600cc 04 07 FZ6 N NA 600cc 04 07 FZ6 Fazer S2 600cc 07 08 FZ6 S2 600cc 07 08 *Yamaha 50 Service Manual* Yamaha Motor Co, 1960 Yamaha Service Manual CS2E, Yamaha Motor Co. Service Division, 197? *Yamaha Service Manual XS1B, XS2, TX650*, 1972 *Clymer Yamaha 650cc Twins 1970-1982* Penton Staff, 1987-07-01 With the help of the Clymer Yamaha 650cc Twins 1970 1982 Repair Manual in your toolbox you will be able to maintain service and repair your motorcycle to extend its life for years to come Clymer manuals are very well known for their thorough and comprehensive nature This manual is loaded with step by step procedures along with detailed photography exploded views charts and diagrams to enhance the steps associated with a service or repair task This Clymer manual is organized by subsystem with procedures grouped together for specific topics such as front suspension brake system engine and transmission It includes color wiring diagrams The language used in this Clymer repair manual is targeted toward the novice mechanic but is also very valuable for the experienced mechanic The service manual by Clymer is an authoritative piece of DIY literature and should provide you the confidence you need to get the job done and save money too Yamaha XT, TT, and SR 500 Singles Owners Workshop Manual, No. 342 John Haynes, 1992-06-29 Haynes disassembles every subject vehicle and documents every step with thorough instructions and clear photos Haynes repair manuals are used by the pros but written for the do it yourselfer **Yamaha Service Manual R5-B**, Yamaha Motor Co. Service Department, 1971

The Engaging World of E-book Books: A Comprehensive Guide Unveiling the Benefits of E-book Books: A Realm of Ease and Flexibility Kindle books, with their inherent portability and simplicity of access, have freed readers from the constraints of physical books. Gone are the days of lugging bulky novels or carefully searching for specific titles in shops. E-book devices, sleek and portable, effortlessly store an extensive library of books, allowing readers to indulge in their preferred reads whenever, everywhere. Whether commuting on a bustling train, relaxing on a sun-kissed beach, or just cozying up in bed, Kindle books provide an exceptional level of ease. A Reading Universe Unfolded: Exploring the Vast Array of E-book Yamaha 650 Waverunner Service Manual Yamaha 650 Waverunner Service Manual The E-book Shop, a virtual treasure trove of literary gems, boasts a wide collection of books spanning varied genres, catering to every reader's preference and preference. From captivating fiction and mind-stimulating non-fiction to timeless classics and modern bestsellers, the Kindle Store offers an exceptional variety of titles to discover. Whether seeking escape through engrossing tales of fantasy and exploration, delving into the depths of past narratives, or broadening one's knowledge with insightful works of science and philosophy, the Kindle Store provides a doorway to a literary universe brimming with endless possibilities. A Transformative Force in the Bookish Scene: The Lasting Influence of Kindle Books Yamaha 650 Waverunner Service Manual The advent of Kindle books has undoubtedly reshaped the literary scene, introducing a paradigm shift in the way books are published, distributed, and consumed. Traditional publication houses have embraced the online revolution, adapting their approaches to accommodate the growing need for e-books. This has led to a surge in the availability of E-book titles, ensuring that readers have entry to a vast array of literary works at their fingertips. Moreover, Kindle books have democratized entry to books, breaking down geographical barriers and offering readers worldwide with equal opportunities to engage with the written word. Irrespective of their location or socioeconomic background, individuals can now engross themselves in the captivating world of books, fostering a global community of readers. Conclusion: Embracing the E-book Experience Yamaha 650 Waverunner Service Manual Kindle books Yamaha 650 Waverunner Service Manual, with their inherent convenience, flexibility, and wide array of titles, have unquestionably transformed the way we experience literature. They offer readers the freedom to explore the limitless realm of written expression, anytime, everywhere. As we continue to navigate the ever-evolving online scene, E-book books stand as testament to the enduring power of storytelling, ensuring that the joy of reading remains reachable to all.

https://ftp.barnabastoday.com/data/scholarship/Download_PDFS/week_3_ga_pre_k_lesson_plans.pdf

Table of Contents Yamaha 650 Waverunner Service Manual

1. Understanding the eBook Yamaha 650 Waverunner Service Manual
 - The Rise of Digital Reading Yamaha 650 Waverunner Service Manual
 - Advantages of eBooks Over Traditional Books
2. Identifying Yamaha 650 Waverunner Service Manual
 - Exploring Different Genres
 - Considering Fiction vs. Non-Fiction
 - Determining Your Reading Goals
3. Choosing the Right eBook Platform
 - Popular eBook Platforms
 - Features to Look for in an Yamaha 650 Waverunner Service Manual
 - User-Friendly Interface
4. Exploring eBook Recommendations from Yamaha 650 Waverunner Service Manual
 - Personalized Recommendations
 - Yamaha 650 Waverunner Service Manual User Reviews and Ratings
 - Yamaha 650 Waverunner Service Manual and Bestseller Lists
5. Accessing Yamaha 650 Waverunner Service Manual Free and Paid eBooks
 - Yamaha 650 Waverunner Service Manual Public Domain eBooks
 - Yamaha 650 Waverunner Service Manual eBook Subscription Services
 - Yamaha 650 Waverunner Service Manual Budget-Friendly Options
6. Navigating Yamaha 650 Waverunner Service Manual eBook Formats
 - ePub, PDF, MOBI, and More
 - Yamaha 650 Waverunner Service Manual Compatibility with Devices
 - Yamaha 650 Waverunner Service Manual Enhanced eBook Features
7. Enhancing Your Reading Experience
 - Adjustable Fonts and Text Sizes of Yamaha 650 Waverunner Service Manual
 - Highlighting and Note-Taking Yamaha 650 Waverunner Service Manual
 - Interactive Elements Yamaha 650 Waverunner Service Manual
8. Staying Engaged with Yamaha 650 Waverunner Service Manual

- Joining Online Reading Communities
 - Participating in Virtual Book Clubs
 - Following Authors and Publishers Yamaha 650 Waverunner Service Manual
9. Balancing eBooks and Physical Books Yamaha 650 Waverunner Service Manual
- Benefits of a Digital Library
 - Creating a Diverse Reading Collection Yamaha 650 Waverunner Service Manual
10. Overcoming Reading Challenges
- Dealing with Digital Eye Strain
 - Minimizing Distractions
 - Managing Screen Time
11. Cultivating a Reading Routine Yamaha 650 Waverunner Service Manual
- Setting Reading Goals Yamaha 650 Waverunner Service Manual
 - Carving Out Dedicated Reading Time
12. Sourcing Reliable Information of Yamaha 650 Waverunner Service Manual
- Fact-Checking eBook Content of Yamaha 650 Waverunner Service Manual
 - Distinguishing Credible Sources
13. Promoting Lifelong Learning
- Utilizing eBooks for Skill Development
 - Exploring Educational eBooks
14. Embracing eBook Trends
- Integration of Multimedia Elements
 - Interactive and Gamified eBooks

Yamaha 650 Waverunner Service Manual Introduction

In the digital age, access to information has become easier than ever before. The ability to download Yamaha 650 Waverunner Service Manual has revolutionized the way we consume written content. Whether you are a student looking for course material, an avid reader searching for your next favorite book, or a professional seeking research papers, the option to download Yamaha 650 Waverunner Service Manual has opened up a world of possibilities. Downloading Yamaha 650 Waverunner Service Manual provides numerous advantages over physical copies of books and documents. Firstly, it is incredibly convenient. Gone are the days of carrying around heavy textbooks or bulky folders filled with papers. With the

click of a button, you can gain immediate access to valuable resources on any device. This convenience allows for efficient studying, researching, and reading on the go. Moreover, the cost-effective nature of downloading Yamaha 650 Waverunner Service Manual has democratized knowledge. Traditional books and academic journals can be expensive, making it difficult for individuals with limited financial resources to access information. By offering free PDF downloads, publishers and authors are enabling a wider audience to benefit from their work. This inclusivity promotes equal opportunities for learning and personal growth. There are numerous websites and platforms where individuals can download Yamaha 650 Waverunner Service Manual. These websites range from academic databases offering research papers and journals to online libraries with an expansive collection of books from various genres. Many authors and publishers also upload their work to specific websites, granting readers access to their content without any charge. These platforms not only provide access to existing literature but also serve as an excellent platform for undiscovered authors to share their work with the world. However, it is essential to be cautious while downloading Yamaha 650 Waverunner Service Manual. Some websites may offer pirated or illegally obtained copies of copyrighted material. Engaging in such activities not only violates copyright laws but also undermines the efforts of authors, publishers, and researchers. To ensure ethical downloading, it is advisable to utilize reputable websites that prioritize the legal distribution of content. When downloading Yamaha 650 Waverunner Service Manual, users should also consider the potential security risks associated with online platforms. Malicious actors may exploit vulnerabilities in unprotected websites to distribute malware or steal personal information. To protect themselves, individuals should ensure their devices have reliable antivirus software installed and validate the legitimacy of the websites they are downloading from. In conclusion, the ability to download Yamaha 650 Waverunner Service Manual has transformed the way we access information. With the convenience, cost-effectiveness, and accessibility it offers, free PDF downloads have become a popular choice for students, researchers, and book lovers worldwide. However, it is crucial to engage in ethical downloading practices and prioritize personal security when utilizing online platforms. By doing so, individuals can make the most of the vast array of free PDF resources available and embark on a journey of continuous learning and intellectual growth.

FAQs About Yamaha 650 Waverunner Service Manual Books

1. Where can I buy Yamaha 650 Waverunner Service Manual books? Bookstores: Physical bookstores like Barnes & Noble, Waterstones, and independent local stores. Online Retailers: Amazon, Book Depository, and various online bookstores offer a wide range of books in physical and digital formats.

2. What are the different book formats available? Hardcover: Sturdy and durable, usually more expensive. Paperback: Cheaper, lighter, and more portable than hardcovers. E-books: Digital books available for e-readers like Kindle or software like Apple Books, Kindle, and Google Play Books.
3. How do I choose a Yamaha 650 Waverunner Service Manual book to read? Genres: Consider the genre you enjoy (fiction, non-fiction, mystery, sci-fi, etc.). Recommendations: Ask friends, join book clubs, or explore online reviews and recommendations. Author: If you like a particular author, you might enjoy more of their work.
4. How do I take care of Yamaha 650 Waverunner Service Manual books? Storage: Keep them away from direct sunlight and in a dry environment. Handling: Avoid folding pages, use bookmarks, and handle them with clean hands. Cleaning: Gently dust the covers and pages occasionally.
5. Can I borrow books without buying them? Public Libraries: Local libraries offer a wide range of books for borrowing. Book Swaps: Community book exchanges or online platforms where people exchange books.
6. How can I track my reading progress or manage my book collection? Book Tracking Apps: Goodreads, LibraryThing, and Book Catalogue are popular apps for tracking your reading progress and managing book collections. Spreadsheets: You can create your own spreadsheet to track books read, ratings, and other details.
7. What are Yamaha 650 Waverunner Service Manual audiobooks, and where can I find them? Audiobooks: Audio recordings of books, perfect for listening while commuting or multitasking. Platforms: Audible, LibriVox, and Google Play Books offer a wide selection of audiobooks.
8. How do I support authors or the book industry? Buy Books: Purchase books from authors or independent bookstores. Reviews: Leave reviews on platforms like Goodreads or Amazon. Promotion: Share your favorite books on social media or recommend them to friends.
9. Are there book clubs or reading communities I can join? Local Clubs: Check for local book clubs in libraries or community centers. Online Communities: Platforms like Goodreads have virtual book clubs and discussion groups.
10. Can I read Yamaha 650 Waverunner Service Manual books for free? Public Domain Books: Many classic books are available for free as they're in the public domain. Free E-books: Some websites offer free e-books legally, like Project Gutenberg or Open Library.

Find Yamaha 650 Waverunner Service Manual :

[week 3 ga pre k lesson plans](#)

[web quest on epigenetics answers utah genetics](#)

wedding heard round world americas

we two victoria and albert rulers partners rivals

wef laboratory analyst grade 3 study guide

we are the washitaw the washitaw doctrine

weeknight vegetarian

weidemann 1130 manual

we are toten herzen the totenseries volume 1

weed eater poweredge manual

wege zur harmonie mit pferd ebook

weight of 96 2wd f150 manual transmission

weather investigations manual 2012 2013 answer key

welcome to headquarters disney or pixar inside out step into reading

web comics for teens

Yamaha 650 Waverunner Service Manual :

fillable online paper magic group certificate templates - Jun 13 2023

web paper magic group certificate templates 75c60c9c476808500167cffe3568d2e4paper magic group certificate templates1

6paper magic group certificate templates 75c60c9c476808500167cffe3568d2e42 6paper magic

paper magic group certificate templates - Oct 05 2022

web paper magic group certificate templates is available in our digital library an online access to it is set as public so you can download it instantly our book servers spans in multiple countries allowing you to get the most less latency time to download any of our books like this one

paper magic group certificate templates pdf download only - Apr 11 2023

web paper magic group certificate templates pdf introduction paper magic group certificate templates pdf download only

fillable online paper magic group certificate templates - Sep 04 2022

web paper magic group certificate templates download read online here paper magic group certificate templates pdf read online now paper magic group certificate templates e book pdf at our library fill form try risk free

paper magic group certificate templates - Jan 08 2023

web magic group certificate templates a literary masterpiece penned by way of a renowned author readers embark on a transformative journey unlocking the secrets and untapped potential embedded within each word

free certificate maker create certificates online canva - Feb 26 2022

web with canva s wide selection of templates and easy to use drag and drop certificate generator you can come up with the certificate you need in minutes no design experience needed add high quality images and illustrations choose from over a hundred fonts and customize colors in a few clicks

paper magic group certificate templates pdf - Jun 01 2022

web paper magic group certificate templates the enigmatic realm of paper magic group certificate templates unleashing the language is inner magic in a fast paced digital era where connections and knowledge intertwine the enigmatic realm of language reveals its inherent magic its capacity to stir emotions ignite contemplation and

paper magic group certificate templates pdf - May 12 2023

web paper magic group certificate templates this is likewise one of the factors by obtaining the soft documents of this paper magic group certificate templates by online

paper magic group certificate templates copy forms imcost edu - Feb 09 2023

web pages of paper magic group certificate templates a mesmerizing literary creation penned by way of a celebrated wordsmith readers attempt an enlightening odyssey unraveling the intricate significance of language and its enduring impact on our lives

get the free paper magic group certificate templates pdf filler - Aug 15 2023

web paper magic group certificate templates 75c60c9c476808500167cffe3568d2e4paper magic group certificate templates16paper magic group certificate templates 75c60c9c476808500167cffe3568d2e42 6paper magic

free printable certificate templates you can customize canva - Jul 14 2023

web printable certificates by canva if you need to make a certificate ditch the typical certificate design and get creative instead of going for a plain layout make a colorful and modern certificate design in minutes with canva you don t need to start from scratch with our certificate templates

paper magic group certificate templates survey thecube - Nov 06 2022

web paper magic group certificate templates customize 979 certificate templates online canva 563 certificate template free templates in doc ppt featured word templates templates office com beautiful certificate templates vector free

paper magic group inc facebook - Dec 27 2021

web paper magic group inc moosic pa 1 089 likes since 1986 the paper magic group has been an innovative creator and marketer of everyday and season

paper magic group certificate templates pdf copy voto uncal edu - Dec 07 2022

web paper magic group certificate templates pdf paper magic group certificate templates pdf book review unveiling the

power of words in a global driven by information and connectivity the ability of words has be evident than ever

paper magic group certificate templates - Aug 03 2022

web paper magic group certificate templates a charming literary treasure full of raw emotions lies an immersive symphony waiting to be embraced constructed by a masterful musician of language that charming masterpiece conducts viewers on a psychological journey skillfully unraveling the hidden

[paper magic group certificate templates pdf uniport edu](#) - Mar 10 2023

web aug 2 2023 some harmful virus inside their computer paper magic group certificate templates is to hand in our digital library an online permission to it is set as public as a result you can download it instantly

get the get free read download files paper magic group certificate - Jul 02 2022

web get the get free read download files paper magic group certificate templates pdf

[paper magic](#) - Jan 28 2022

web home check out the below links to learn more about css industries ecommerce berwick offray c r gibson paper magic general about

read free paper magic group certificate templates pdf free - Apr 30 2022

web aug 11 2023 paper magic group certificate templates is available in our digital library an online access to it is set as public so you can download it instantly our book servers saves in multiple countries allowing you to get the most less latency time to download any of our books like this one kindly say the paper magic group certificate templates is

fillable online paper magic group certificate templates - Mar 30 2022

web get the free paper magic group certificate templates oncykkr ebook eu interview 3ks pl paper m

behold the prince of darkness a complete introduc pdf - Apr 10 2023

web aug 9 2023 behold the prince of darkness a complete introduc 1 5 downloaded from uniport edu ng on august 9 2023 by guest behold the prince of darkness a

behold the prince of darkness a complete introduc harvard - Aug 14 2023

web roark lyne is his worst enemy and his only hope the only human student at mather s school of magick phineas smith has a target on his back born with the rare ability to

behold the prince of darkness a complete introduc 2022 - May 31 2022

web 2 behold the prince of darkness a complete introduc 2021 04 21 testament of jesus christ the doctrine and covenants the pearl of great price doctrine lectures of faith

behold the prince of darkness a complete introduc pdf - Nov 05 2022

web jul 26 2023 behold the prince of darkness a complete introduc 3 9 downloaded from uniport edu ng on july 26 2023 by

guest lectures on theology john dick 1878 behold

behold the prince of darkness a complete introduc - Oct 04 2022

web behold ryan scott 2019 02 04 behold the prince of darkness is a text discussing the religion of setianism based on the ancient egyptian god set setianism has grown

behold the prince of darkness a complete introduc pdf - Feb 08 2023

web jul 27 2023 behold the prince of darkness a complete introduc 1 6 downloaded from uniport edu ng on july 27 2023 by guest behold the prince of darkness a complete

behold the prince of darkness a complete introduc pdf - Nov 24 2021

web jun 6 2023 our books taking into account this one merely said the behold the prince of darkness a complete introduc is universally compatible gone any devices to read the

behold the prince of darkness a complete introduc download - Jan 07 2023

web recognizing the habit ways to get this books behold the prince of darkness a complete introduc is additionally useful you have remained in right site to start getting this info

behold the prince of darkness a complete introduc pdf - Mar 09 2023

web the little book open the testimony of br prince concerning what jesus christ has done by his spirit to redeem the earth in voices from heaven voice the second behold the

prince of darkness 1987 explained in hindi youtube - Mar 29 2022

web princeofdarkness explainedinhindireal insta id instagram com khushii bee summary a sinister secret has been kept in the

behold the prince of darkness a complete introduc 2022 app - Jun 12 2023

web behold the prince of darkness a complete introduc 5 5 without evil in his third book behold the darkness dark prince devlin westbrook has once again championed the

behold the prince of darkness a complete introduc copy - Sep 22 2021

web jul 30 2023 behold the prince of darkness a complete introduc 3 9 downloaded from uniport edu ng on july 30 2023 by guest most implacable enemies of the era including

behold a marvel in the darkness song and lyrics by deerhoof - Feb 25 2022

web listen to behold a marvel in the darkness on spotify deerhoof song 2011

behold the prince of darkness a complete introduc john - Dec 06 2022

web behold the prince of darkness a complete introduc recognizing the mannerism ways to get this ebook behold the prince of darkness a complete introduc is additionally

[behold the prince of darkness a complete introduc pdf beta](#) - Jul 01 2022

web could enjoy now is behold the prince of darkness a complete introduc below behold the prince of darkness a complete introduc downloaded from

[behold the prince of darkness a complete introduc book](#) - Jul 13 2023

web show me your darkness and i ll show you mine the stars are fading the shadows are calling the darkness threatens

[ebook behold the prince of darkness a complete introduc](#) - May 11 2023

web the prince of the skies oct 20 2022 a gripping narrative of friendship and exploration and an homage to antoine de saint exupéry an unforgettable writer who touched the lives of

[behold the prince of darkness a complete introduc full pdf](#) - Aug 02 2022

web the prince of the house of david or three years in the holy city prince ragnal the ante nicene fathers the main lds books

the prince of darkness the new testament of our lord and saviour jesus christ behold the prince of darkness a complete

introduc downloaded from customizer monos com by guest decker blanchard triumph the

[behold a marvel in the darkness song and lyrics by deerhoof](#) - Jan 27 2022

web listen to behold a marvel in the darkness on spotify deerhoof song 2011 deerhoof song 2011 listen to behold a marvel in the darkness on spotify deerhoof song

karanlıklar prensi prince of darkness 1987 turkcealtyazi org - Apr 29 2022

web john carpenter s prince of darkness 98 kişi izledi 26 kişi izleyecek 11 kişinin favorisi 1 takip oyuncular donald pleasence jameson parker victor wong lisa blount dennis dun

behold the prince of darkness a complete introduc copy - Oct 24 2021

web jun 15 2023 behold ryan scott 2019 02 04 behold the prince of darkness is a text discussing the religion of setianism based on the ancient egyptian god set setianism

behold the prince of darkness a complete introduction to - Sep 03 2022

web jun 4 2023 this behold the prince of darkness a complete introduction to setian religion english edition by ryan scott as one of the greater part running sellers here

[heart of darkness joseph conrad summary](#) - Dec 26 2021

web jun 15 2020 heart of darkness 1899 is a novella by polish english novelist joseph conrad about a narrated voyage up the congo river into the congo free state in the he

[i are working on a project wbc and rbc detection matlab](#) - Oct 15 2023

web mar 2 2017 my project work deals with counting of rbcs and wbcs i got succeeded in counting the wbc by extracting the wbc nucleus i tried counting rbcs by using hough transform circular shape detection but the problem is that along with

rbcs wbcs are

webinar blood cell counter with matlab - Feb 07 2023

web image analysis is accomplished using an original matlab code to evaluate the total wbc count as well as differential wbc count i e granulocytes primarily neutrophils vs

classifying white blood cells with deep learning code and - Dec 05 2022

web 101 11k a matlab cell counting user interface counting cells manually from a microscopic image is tedious especially when we have a batch of microscopic images to

blog rbc wbc blood cell counter matlab helper - Jun 11 2023

web aug 31 2023 this program is implemented to count the number of cells in the image the cells are also labeled and the perimeter and area are calculated for each cell matlab

github tinuviela blood cell count this is a matlab project - Dec 25 2021

how to count the occurrence of numbers in certain value - Mar 28 2022

web blood cell count this is a matlab project which allows counting red and white blood cells in blood smear images it contains a console interface that permits controlling the

mahmudulalam automatic identification and counting of - Jul 12 2023

web this is a simple repository consist of matlab code to extract and count the red blood cell simple and overlapped in a sample blood image repository also contains input

cell counting matlab simulink mathworks - Jan 06 2023

web aug 26 2019 this study uses image processing to analyze white blood cell with leukemia indicated that includes the identification analysis of shapes and sizes as well as white

how to detecting and counting bacteria in matlab - Feb 24 2022

web oct 3 2023 this project is an application designed for complete blood cell counting and automated detection of acute lymphoblastic leukemia all cells it works by

blood cell detection github topics github - Aug 13 2023

web jun 14 2019 get access to code image report learn the image segmentation concepts to analyze and count red and white blood cells in matlab and app

blood cells tracking and measurement by using mathworks - Mar 08 2023

web the number of neutrophils lymphocytes basophils and eosinophils all types of wbcs in your cell this is known as a differentiated blood cell count the density of wbcs in our

[using ai to help write matlab code the matlab ai chat](#) - Jan 26 2022

matlab helper on linkedin blood cell counter with matlab - Aug 01 2022

web matlab plss only matlab write the code that counts how many blood cells are in the image matlab write codes here and screenshot this problem has been

blood cell counting github topics github - Nov 23 2021

matlab code for cell counting matlab number one - May 30 2022

web jun 16 2015 this seems to work okay theme copy roi yourimage 1 yourimage 2 15 image yourimage alphadata roi changing to 10 instead of 15 gets some

blood cell counter with matlab webinar - Sep 14 2023

web oct 22 2023 mahmudulalam complete blood cell count dataset the complete blood count cbc dataset contains a total of 360 blood smear images of red blood cells

a matlab cell counting user interface 4 steps instructables - Sep 02 2022

web dec 21 2015 matlab code for cell counting matlab number one matlab code for cell counting image processing matlab code image segmentation techniques can

cell counting github topics github - Apr 09 2023

web cell counting this example shows how to use a combination of basic morphological operators and blob analysis to extract information from a video stream in this case the

github ansh0123 automatedrbccountproject - May 10 2023

web mar 15 2011 three demos for blood cells tracking three demos are used to show the process of automatic tracking and measurement of blood cells motion in microvessels

solved matlab plss only matlab write the code that - Apr 28 2022

web 14 hours ago along with almost everyone who works in software development i ve recently been exploring how to integrate ai systems in my day to day work in a matlab

pdf blood cell segmentation using matlab nuclei cell - Oct 03 2022

web development of matlab software for complete blood cell count 1 development of matlab software for complete blood cell count 1vivek kumar 2r p

[development of matlab software for complete](#) - Jun 30 2022

web nov 9 2023 however i would like to count the times a value appear within a range of values and if there is no

occurrence it should show 0 for example i want to count

simplified white blood cell differential an inexpensive - Nov 04 2022

web revolutionize blood cell counting with matlab explore image segmentation techniques in our webinar lnkd in ff757np

matlabhelperlive