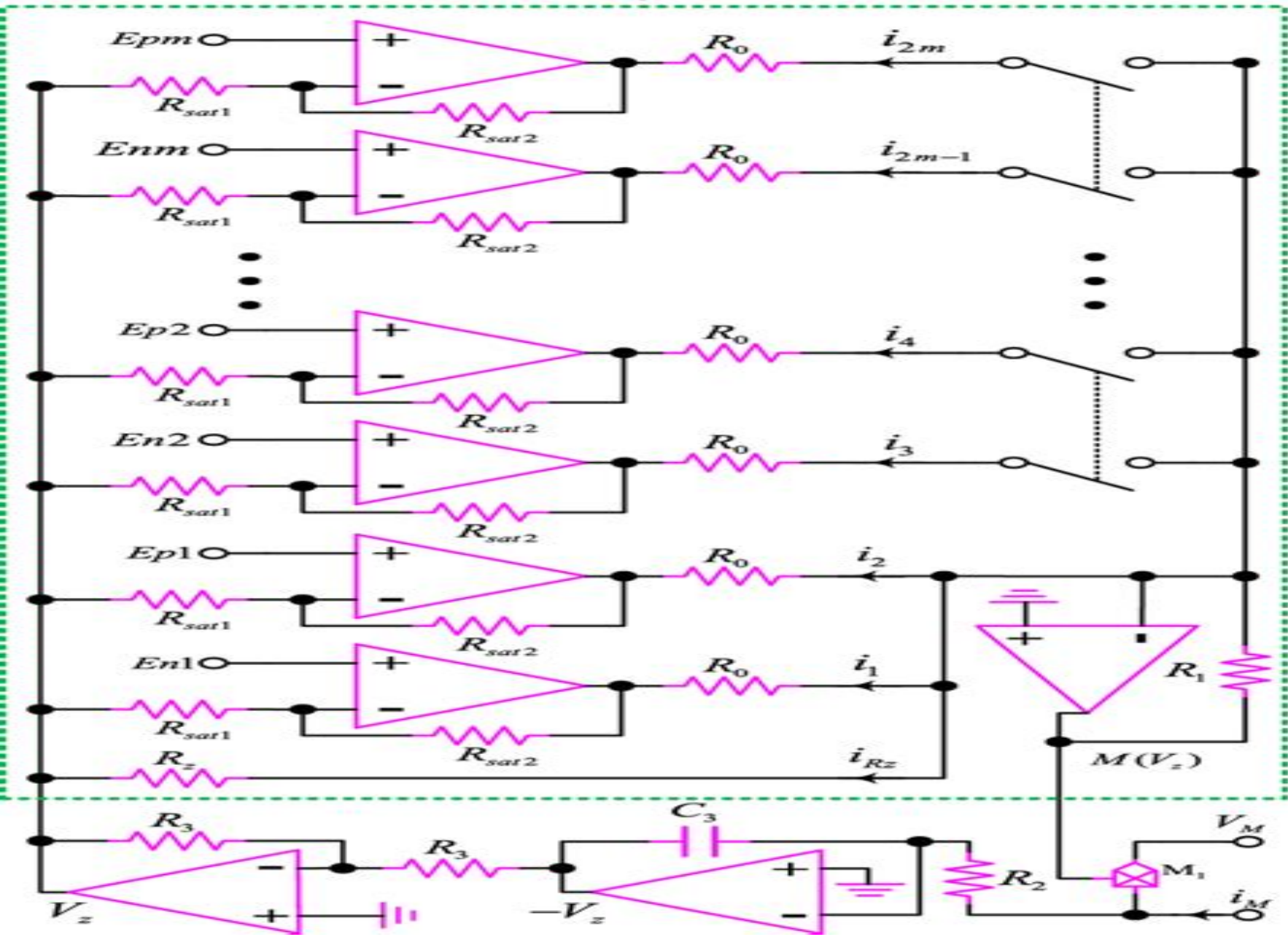


$$i_M \circ \text{---} \boxed{\text{JUL}} \text{---} \circ V_M = M(V_z) i_M$$



# Twm Download He Hipping Anbbb

**Clifford Lane**



**Twm Download He Hipping Anbbb:**

Twm Download He Hipping Anbbb: Bestsellers in 2023 The year 2023 has witnessed a remarkable surge in literary brilliance, with numerous compelling novels captivating the hearts of readers worldwide. Lets delve into the realm of top-selling books, exploring the captivating narratives that have charmed audiences this year. Twm Download He Hipping Anbbb : Colleen Hoover's "It Ends with Us" This touching tale of love, loss, and resilience has gripped readers with its raw and emotional exploration of domestic abuse. Hoover masterfully weaves a story of hope and healing, reminding us that even in the darkest of times, the human spirit can prevail. Uncover the Best : Taylor Jenkins Reids "The Seven Husbands of Evelyn Hugo" This intriguing historical fiction novel unravels the life of Evelyn Hugo, a Hollywood icon who defies expectations and societal norms to pursue her dreams. Reids compelling storytelling and compelling characters transport readers to a bygone era, immersing them in a world of glamour, ambition, and self-discovery. Twm Download He Hipping Anbbb : Delia Owens "Where the Crawdads Sing" This evocative coming-of-age story follows Kya Clark, a young woman who grows up alone in the marshes of North Carolina. Owens crafts a tale of resilience, survival, and the transformative power of nature, captivating readers with its evocative prose and mesmerizing setting. These top-selling novels represent just a fraction of the literary treasures that have emerged in 2023. Whether you seek tales of romance, adventure, or personal growth, the world of literature offers an abundance of compelling stories waiting to be discovered. The novel begins with Richard Papen, a bright but troubled young man, arriving at Hampden College. Richard is immediately drawn to the group of students who call themselves the Classics Club. The club is led by Henry Winter, a brilliant and charismatic young man. Henry is obsessed with Greek mythology and philosophy, and he quickly draws Richard into his world. The other members of the Classics Club are equally as fascinating. Bunny Corcoran is a wealthy and spoiled young man who is always looking for a good time. Charles Tavis is a quiet and reserved young man who is deeply in love with Henry. Camilla Macaulay is a beautiful and intelligent young woman who is drawn to the power and danger of the Classics Club. The students are all deeply in love with Morrow, and they are willing to do anything to please him. Morrow is a complex and mysterious figure, and he seems to be manipulating the students for his own purposes. As the students become more involved with Morrow, they begin to commit increasingly dangerous acts. The Secret History is a exceptional and suspenseful novel that will keep you guessing until the very end. The novel is a cautionary tale about the dangers of obsession and the power of evil.

[https://ftp.barnabastoday.com/data/browse/Documents/volvo\\_c30\\_manual\\_2007.pdf](https://ftp.barnabastoday.com/data/browse/Documents/volvo_c30_manual_2007.pdf)

---

## Table of Contents Twm Download He Hipping Anbbb

1. Understanding the eBook Twm Download He Hipping Anbbb
  - The Rise of Digital Reading Twm Download He Hipping Anbbb
  - Advantages of eBooks Over Traditional Books
2. Identifying Twm Download He Hipping Anbbb
  - Exploring Different Genres
  - Considering Fiction vs. Non-Fiction
  - Determining Your Reading Goals
3. Choosing the Right eBook Platform
  - Popular eBook Platforms
  - Features to Look for in an Twm Download He Hipping Anbbb
  - User-Friendly Interface
4. Exploring eBook Recommendations from Twm Download He Hipping Anbbb
  - Personalized Recommendations
  - Twm Download He Hipping Anbbb User Reviews and Ratings
  - Twm Download He Hipping Anbbb and Bestseller Lists
5. Accessing Twm Download He Hipping Anbbb Free and Paid eBooks
  - Twm Download He Hipping Anbbb Public Domain eBooks
  - Twm Download He Hipping Anbbb eBook Subscription Services
  - Twm Download He Hipping Anbbb Budget-Friendly Options
6. Navigating Twm Download He Hipping Anbbb eBook Formats
  - ePub, PDF, MOBI, and More
  - Twm Download He Hipping Anbbb Compatibility with Devices
  - Twm Download He Hipping Anbbb Enhanced eBook Features
7. Enhancing Your Reading Experience
  - Adjustable Fonts and Text Sizes of Twm Download He Hipping Anbbb
  - Highlighting and Note-Taking Twm Download He Hipping Anbbb
  - Interactive Elements Twm Download He Hipping Anbbb
8. Staying Engaged with Twm Download He Hipping Anbbb

- 
- Joining Online Reading Communities
  - Participating in Virtual Book Clubs
  - Following Authors and Publishers Twm Download He Hipping Anbbb
9. Balancing eBooks and Physical Books Twm Download He Hipping Anbbb
    - Benefits of a Digital Library
    - Creating a Diverse Reading Collection Twm Download He Hipping Anbbb
  10. Overcoming Reading Challenges
    - Dealing with Digital Eye Strain
    - Minimizing Distractions
    - Managing Screen Time
  11. Cultivating a Reading Routine Twm Download He Hipping Anbbb
    - Setting Reading Goals Twm Download He Hipping Anbbb
    - Carving Out Dedicated Reading Time
  12. Sourcing Reliable Information of Twm Download He Hipping Anbbb
    - Fact-Checking eBook Content of Twm Download He Hipping Anbbb
    - Distinguishing Credible Sources
  13. Promoting Lifelong Learning
    - Utilizing eBooks for Skill Development
    - Exploring Educational eBooks
  14. Embracing eBook Trends
    - Integration of Multimedia Elements
    - Interactive and Gamified eBooks

### **Twm Download He Hipping Anbbb Introduction**

Twm Download He Hipping Anbbb Offers over 60,000 free eBooks, including many classics that are in the public domain. Open Library: Provides access to over 1 million free eBooks, including classic literature and contemporary works. Twm Download He Hipping Anbbb Offers a vast collection of books, some of which are available for free as PDF downloads, particularly older books in the public domain. Twm Download He Hipping Anbbb : This website hosts a vast collection of scientific articles, books, and textbooks. While it operates in a legal gray area due to copyright issues, its a popular resource for finding various publications. Internet Archive for Twm Download He Hipping Anbbb : Has an extensive collection of

---

digital content, including books, articles, videos, and more. It has a massive library of free downloadable books. Free-eBooks Twm Download He Hipping Anbbb Offers a diverse range of free eBooks across various genres. Twm Download He Hipping Anbbb Focuses mainly on educational books, textbooks, and business books. It offers free PDF downloads for educational purposes. Twm Download He Hipping Anbbb Provides a large selection of free eBooks in different genres, which are available for download in various formats, including PDF. Finding specific Twm Download He Hipping Anbbb, especially related to Twm Download He Hipping Anbbb, might be challenging as theyre often artistic creations rather than practical blueprints. However, you can explore the following steps to search for or create your own Online Searches: Look for websites, forums, or blogs dedicated to Twm Download He Hipping Anbbb, Sometimes enthusiasts share their designs or concepts in PDF format. Books and Magazines Some Twm Download He Hipping Anbbb books or magazines might include. Look for these in online stores or libraries. Remember that while Twm Download He Hipping Anbbb, sharing copyrighted material without permission is not legal. Always ensure youre either creating your own or obtaining them from legitimate sources that allow sharing and downloading. Library Check if your local library offers eBook lending services. Many libraries have digital catalogs where you can borrow Twm Download He Hipping Anbbb eBooks for free, including popular titles. Online Retailers: Websites like Amazon, Google Books, or Apple Books often sell eBooks. Sometimes, authors or publishers offer promotions or free periods for certain books. Authors Website Occasionally, authors provide excerpts or short stories for free on their websites. While this might not be the Twm Download He Hipping Anbbb full book , it can give you a taste of the authors writing style. Subscription Services Platforms like Kindle Unlimited or Scribd offer subscription-based access to a wide range of Twm Download He Hipping Anbbb eBooks, including some popular titles.

### **FAQs About Twm Download He Hipping Anbbb Books**

How do I know which eBook platform is the best for me? Finding the best eBook platform depends on your reading preferences and device compatibility. Research different platforms, read user reviews, and explore their features before making a choice. Are free eBooks of good quality? Yes, many reputable platforms offer high-quality free eBooks, including classics and public domain works. However, make sure to verify the source to ensure the eBook credibility. Can I read eBooks without an eReader? Absolutely! Most eBook platforms offer webbased readers or mobile apps that allow you to read eBooks on your computer, tablet, or smartphone. How do I avoid digital eye strain while reading eBooks? To prevent digital eye strain, take regular breaks, adjust the font size and background color, and ensure proper lighting while reading eBooks. What the advantage of interactive eBooks? Interactive eBooks incorporate multimedia elements, quizzes, and activities, enhancing the reader engagement and providing a more immersive learning experience. Twm Download He Hipping Anbbb

is one of the best book in our library for free trial. We provide copy of Twm Download He Hipping Anbbb in digital format, so the resources that you find are reliable. There are also many Ebooks of related with Twm Download He Hipping Anbbb. Where to download Twm Download He Hipping Anbbb online for free? Are you looking for Twm Download He Hipping Anbbb PDF? This is definitely going to save you time and cash in something you should think about. If you trying to find then search around for online. Without a doubt there are numerous these available and many of them have the freedom. However without doubt you receive whatever you purchase. An alternate way to get ideas is always to check another Twm Download He Hipping Anbbb. This method for see exactly what may be included and adopt these ideas to your book. This site will almost certainly help you save time and effort, money and stress. If you are looking for free books then you really should consider finding to assist you try this. Several of Twm Download He Hipping Anbbb are for sale to free while some are payable. If you arent sure if the books you would like to download works with for usage along with your computer, it is possible to download free trials. The free guides make it easy for someone to free access online library for download books to your device. You can get free download on free trial for lots of books categories. Our library is the biggest of these that have literally hundreds of thousands of different products categories represented. You will also see that there are specific sites catered to different product types or categories, brands or niches related with Twm Download He Hipping Anbbb. So depending on what exactly you are searching, you will be able to choose e books to suit your own need. Need to access completely for Campbell Biology Seventh Edition book? Access Ebook without any digging. And by having access to our ebook online or by storing it on your computer, you have convenient answers with Twm Download He Hipping Anbbb To get started finding Twm Download He Hipping Anbbb, you are right to find our website which has a comprehensive collection of books online. Our library is the biggest of these that have literally hundreds of thousands of different products represented. You will also see that there are specific sites catered to different categories or niches related with Twm Download He Hipping Anbbb So depending on what exactly you are searching, you will be able to choose ebook to suit your own need. Thank you for reading Twm Download He Hipping Anbbb. Maybe you have knowledge that, people have search numerous times for their favorite readings like this Twm Download He Hipping Anbbb, but end up in harmful downloads. Rather than reading a good book with a cup of coffee in the afternoon, instead they juggled with some harmful bugs inside their laptop. Twm Download He Hipping Anbbb is available in our book collection an online access to it is set as public so you can download it instantly. Our digital library spans in multiple locations, allowing you to get the most less latency time to download any of our books like this one. Merely said, Twm Download He Hipping Anbbb is universally compatible with any devices to read.

**Find Twm Download He Hipping Anbbb :**

volvo c30 manual 2007



**volvo manual transmission**

**volvo penta marine engine service manual**

volvo f16 operators manual

**volvo s40 t5 owner manual**

volvo trucks fm9 fm12 fh12 fh16 nh12 version2 wiring diagram manual

**volvo penta sx a drive manual**

**volvo penta aq200d v8 workshop manual**

volvo 240 manual wagon

volvo fl 250 track manual

**volvo penta dp s workshop manual**

volvo a25c articulated dump truck service repair manual

*volvo v60 manual transmission 2014*

volvo penta bow thruster manual

**volvo v70 diesel service and repair manual**

**Twm Download He Hipping Anbbb :**

no nest for the wicket meg langslow mystery series 7 - Oct 06 2023

web dec 13 2016 audio cd the hilly terrain next to the old sprocket house that meg langslow and her fiancé michael are refurbishing is the perfect location for an extreme croquet field even the legs of cows and sheep are convenient extra wickets

freshopeministries - Feb 15 2022

web jan 20 2023 no nest for the wicket meg langslow mysteries boo no nest for the wicket meg langslow 7 by donna no nest for the wicket book read 261 reviews from the world s largest

**no nest for the wicket meg langslow mysteries boo** - Mar 19 2022

web no nest for the wicket meg langslow mysteries boo die like an eagle revenge of the wrought iron flamingos crime writers stork raving mad no nest for the wicket gone gull owls well that ends well the essential mystery lists the meg langslow series thus far six geese a slaying the hen of the baskervilles toucan keep a secret the

*no nest for the wicket donna andrews google books* - Jun 02 2023

web jun 26 2007 donna andrews is the author of the meg langslow mysteries including stork raving mad and swan for the money she has won the agatha anthony and barry awards a romantic times award for best first novel and two lefty and two toby bromberg awards for funniest mystery

---

**no nest for the wicket meg langslow mystery series 7** - Jul 03 2023

web dec 13 2016 croquet has gone extreme and langslow hobby has taken on outsiders when meg falls down a slope searching for a ball she literally falls on a body no one claims to recognize her but everyone knows her including meg sort of *no nest for the wicket meg langslow mysteries boo bernard* - May 21 2022

web meg langslow mysteries boo and numerous books collections from fictions to scientific research in any way in the course of them is this no nest for the wicket meg langslow mysteries boo that can be your partner *no nest for the wicket apple books* - Nov 26 2022

web line your ducks up in a row the hilly terrain next to the old sprocket house that meg langslow and her fiancé michael are refurbishing is the perfect location for an extreme croquet field even the legs of cows and sheep are convenient extra wickets a sport traditionally reserved f

*no nest for the wicket meg langslow mysteries book 7* - Sep 05 2023

web jun 26 2007 no nest for the wicket meg langslow mysteries book 7 kindle edition by andrews donna mystery thriller suspense kindle ebooks amazon com kindle store kindle ebooks mystery thriller suspense buy now with 1 click add an audiobook with audible narration for 7 49 deliver to your kindle library buy for others

**no nest for the wicket meg langslow mysteries series book 7** - Sep 24 2022

web description line your ducks up in a row the hilly terrain next to the old sprocket house that meg langslow and her fiancé michael are refurbishing is the perfect location for an extreme croquet field even the legs of cows and sheep are convenient extra wickets a sport traditionally reserved for genteel society croquet has become

no nest for the wicket overdrive - Mar 31 2023

web jun 26 2007 ever curious meg decides that playing arm chair sleuth is far more important than working on her game and soon she finds herself in the perfect position to solve the murder mystery or become the next victim

**no nest for the wicket meg langslow mysteries paperback** - Jan 29 2023

web no nest for the wicket meg langslow mysteries paperback director of therapy research donna andrews amazon com tr kitap

**no nest for the wicket a meg langslow mystery by donna** - May 01 2023

web no nest for the wicket a meg langslow mystery by donna andrews 2007 06 26 on amazon com free shipping on qualifying offers no nest for the wicket a meg langslow mystery by donna andrews 2007 06 26

**no nest for the wicket meg langslow 7 goodreads** - Aug 04 2023

web aug 8 2006 in this entry in the delightful series of meg langslow mysteries meg takes part in an extreme croquet tournament and finds herself embroiled in a murder mystery instead i always find it amusing in these cozy mysteries that the

---

lead character a civilian attracts dead bodies

**no nest for the wicket meg langslow mysteries boo diana** - Apr 19 2022

web a new side splitting meg langslow mystery from the award winning new york times bestselling author of toucan keep a secret meg langslow s grandfather has been booked by a cruise line to give lectures on birds and other environmental topics as part of their ship s education entertainment itinerary and

*no nest for the wicket meg langslow mysteries* - Oct 26 2022

web aug 8 2006 no nest for the wicket meg langslow mysteries by donna andrews meg langslow would rather be overseeing the drastic work on the house she and her fiancé michael have bought but she has been shanghaied by her relatives into joining a

**meg langslow mysteries ser no nest for the wicket by donna** - Jul 23 2022

web item 2 no nest for the wicket a meg langslow mystery mass market paperback good no nest for the wicket a meg langslow mystery mass market paperback good 3 98 free shipping

**no nest for the wicket meg langslow mysteries book 7** - Aug 24 2022

web amazon com no nest for the wicket meg langslow mysteries book 7 ebook andrews donna kindle store

no nest for the wicket macmillan - Feb 27 2023

web aug 8 2006 book details line your ducks up in a row the hilly terrain next to the old sprocket house that meg langslow and her fiancé michael are refurbishing is the perfect location for an extreme croquet field even the legs of cows and sheep are convenient extra wickets

**no nest for the wicket meg langslow mysteries book 7 ebook** - Dec 28 2022

web jun 26 2007 no nest for the wicket meg langslow mysteries book 7 ebook andrews donna amazon ca books skip to main content ca hello select your address kindle store select the department you want to search in search amazon ca en hello sign in account lists

no nest for the wicket meg langslow mysteries boo donna - Jun 21 2022

web perception of this no nest for the wicket meg langslow mysteries boo can be taken as competently as picked to act revenge of the wrought iron flamingos donna andrews 2006 02 07 every year yorktown virginia relives its role in the revolutionary war by celebrating the anniversary of the british surrender in 1781 this

**Ücretsiz İZİNDE İŞÇİNİN haklari av suat yurdseven milliyet** - Mar 30 2022

web aug 16 2011 haberler av suat yurdseven Ücretsiz İZİNDE İŞÇİNİN haklari av suat yurdseven suatyurdseven gmail com *istanbul duty free all you need to know before you go tripadvisor* - Jan 28 2022

web airport itself is very huge and super modern duty free inside is affordable for example yesterday we bought 3 pieces of 11

---

jack daniels for the price of 69 and toblerone chocolate 2 pieces 360gr cost 13 before istanbul i was in qatar doha and toblerone 1piece was 13 visited september 2020 traveled with friends

*in zivil hors service off duty steidl luxe urs odermatt* - Aug 15 2023

web in zivil hors service off duty steidl luxe urs odermatt amazon com tr Çerez tercihlerinizi seçin alışveriş deneyiminizi geliştirmek hizmetlerimizi sunmak müşterilerin hizmetlerimizi nasıl kullandığını anlayarak iyileştirmeler yapabilmek ve tanımları gösterebilmek için çerezler ve benzeri araçları kullanmaktayız

in zivil hors service off duty 2010 edition open library - May 12 2023

web in zivil hors service off duty by arnold odermatt 2010 steidl edition in german deutsch 1st ed

in zivil hors service off duty 1 verify meetcircle com - Sep 04 2022

web in zivil hors service off duty 1 downloaded from verify meetcircle com by guest bronson oconnell the irish meteorological service oxford university press a fascinating exploration of the urbanism at the heart of utopian thinking the vision of utopia obsessed the nineteenth century mind shaping art literature and especially town

**in zivil hors service off duty 1 2022 old talentsprint** - Jul 02 2022

web in zivil hors service off duty 1 downloaded from old talentsprint com by guest alexander kane the london stage a collection of the most reputed tragedies comedies operas melo dramas farces and interludes etc with portraits phaidon press highlights the surprising ways in which the nazi regime permitted or even fostered

in zivil hors service off duty 1 rc spectrallabs com - Dec 27 2021

web in zivil hors service off duty 1 downloaded from rc spectrallabs com by guest sariah simmons jakob tuggener earthscan an exhibition of the swiss photographer s work the politics of military force springer science business media chilean photographer paz errazuriz born 1944 began taking photographs in the 1970s during the pinochet

**in zivil hors service off duty 1 banking finance gov** - Nov 06 2022

web in zivil hors service off duty 1 downloaded from banking finance gov ie by guest hester nunez a theory of intergenerational justice schirmer mosel a clear critical analysis of proof of causation in the law of tort in england france and germany the publishers weekly oxford university press life magazine is the treasured photographic

in zivil hors service off duty 1 sam arabtravelers - Aug 03 2022

web 4 in zivil hors service off duty 1 2023 06 05 somewhat east of where kajkavian dialects are spoken today the study contributes to the understanding not only of serbo croatian dialects but also of how newcomers and natives impact each other s speech and of how dialects die there is no index annotation copyrighted by book news inc

**in zivil hors service off duty 1 pdf sql1 viewber co** - Dec 07 2022

web in zivil hors service off duty 1 the publishers weekly the london stage a collection of the most reputed tragedies

comedies operas melo dramas farces and interludes etc

[arnold odermatt off duty by arnold odermatt goodreads](#) - Jan 08 2023

web aug 11 2010 odermatt created an impressive document of life within a small village where the police officer off duty was not exactly private but civilian all new and improved color and tritone plates 360 pages hardcover

*in zivil hors service off duty hardcover amazon de* - Jun 13 2023

web publisher steidl 1 edition 1 jan 2010 language german french english

[in zivil hors service off duty 1 pdf opendoors cityandguilds](#) - Oct 05 2022

web 4 in zivil hors service off duty 1 2021 08 11 and the museum of vitrines is contained within the museum of furniture this publication is a mass produced artist book for the museum by the same name each image in the book is a cover image on one of the books colophon a theory of intergenerational justice steidl die arbeit an den drei

[in zivil hors service off duty gebundene ausgabe amazon de](#) - Jul 14 2023

web in zivil hors service off duty urs odermatt arnold odermatt amazon de bücher

*in zivil hors service off duty 1 reinhart von eichborn* - Jun 01 2022

web may 14 2023 in zivil hors service off duty 1 below stuck on star trek 2015 09 15 an interactive and imaginative way to experience the star trek universe using the magic of kling on pieces few television series have had as big an impact on popular culture as gene roddenberry s star trek now trekkies and fans of all ages can set

[türkiye de vize İhlali cezası nedir ve ofisleri nerededir](#) - Mar 10 2023

web türkiye de vize ihlali para cezası ödemesi dış hatlar terminali bulunan havalimanlarının vize ihlal ofislerinde yapılmaktadır vize ihlali idari para cezasını ödeyen ve türkiye de vize ihlal süresi 3 aydan az olan yabancı ülke vatandaşlarına ülkeye giriş yasağı yaptırımını uygulanmamaktadır vize ihlali para cezası

*İşçi İhbar süresinde İzin kullanabilir mi İzne gönderile* - Apr 30 2022

web ancak iş akdini işveren feshetmeye karar vermiş ve ihbar süresini başlatmışsa artık işçiye yıllık izin kullanıramaz işçiye yıllık izne gönderemez bu durumda ihbar süresi dolduğunda iş akdi sona ermiş olacağından işçiye kullanmadığı yıllık izinlere ait ücreti ödemesi gerekir

**in zivil hors service off duty 1 9783865217967 abebooks** - Apr 11 2023

web in zivil hors service off duty 1 su abebooks it isbn 10 3865217966 isbn 13 9783865217967 steidl 2010 rilegato

*in zivil hors service off duty 1 verify meetcircle com* - Feb 09 2023

web in zivil hors service off duty 1 3 3 well being of future generations to measure the well being of future generations tremmel employs the human development index rather than the metrics of utilitarian subjective happiness the book thus answers in detailed concrete terms the two most important questions of every theory of intergenerational

---

**sahibinden satılık kiralık emlak oto alışveriş Ürünleri** - Feb 26 2022

web sahibinden satılık kiralık emlak oto alışveriş Ürünleri

[lady truelove und der adlige schuft historical go copy dotnbm](#) - Jan 24 2022

web on a cold december evening a young european woman of noble descent appears before an indian street artist known locally as pk and asks him to paint her portrait it is an

*lady truelove und der adlige schuft historical go* - Dec 23 2021

web lady truelove und der adlige schuft historical go 3 3 under his watchful protective eye marjorie finds romance hard to come by until one fateful night when her own

**lady truelove und der adlige schuft overdrive** - Oct 01 2022

web jul 12 2019 die junge miss clara deverill ist verzweifelt solange ihre schwester auf reisen ist muss sie als lady truelove deren ratgeberkolumne in der weekly

[lady truelove und der adlige schuft historical go staging](#) - Aug 31 2022

web lady truelove und der adlige schuft historical go 3 3 ever since the day the forest fell arendellians have despised and distrusted northuldra with a vengeance no matter that

**lady truelove und der adlige schuft historical go 2022 ftp** - Jul 30 2022

web right here we have countless book lady truelove und der adlige schuft historical go and collections to check out we additionally have enough money variant types and

**lady truelove und der adlige schuft historical go pdf** - Jan 04 2023

web jahrbuch der deutschen shakespeare gesellschaft playing easy to get anfänge und gattungstypische ausformung der englischen strassenballade 1550 1650 not so

[lady truelove und der adlige schuft historical go susanne m](#) - Mar 06 2023

web lady truelove und der adlige schuft historical go lady truelove und der adlige schuft historical go 2 downloaded from nysm pfi org on 2020 01 31 by guest guest

**lady truelove und der adlige schuft historical go pdf** - Jun 09 2023

web lady truelove und der adlige schuft historical go soundless jahrbuch der deutschen shakespeare gesellschaft her royal spyness slightly tempted medical practice 1600

[laura lee lady truelove und der adlige schuft](#) - Dec 03 2022

web lady truelove und der adlige schuft laura lee originaltitel the trouble with true love verlag cora verlag asin b07tdqmn7j erscheinungsdatum 12 juli 2019 genre

[lady truelove und der adlige schuft historical go pdf](#) - Aug 11 2023

---

web lady truelove und der adlige schuft historical go downloaded from poczta builduk org by guest mckenzie kerr sündiger pakt mit dem teufel hachette uk god has created

**lady truelove und der adlige schuft historical go** - Feb 22 2022

web literatur und lebenskunst alanna lady truelove und der adlige schuft historical go downloaded from bk swordsswords com by guest nickolas ball storm born univ of

**lady truelove und der adlige schuft by laura lee guhrke is** - Nov 02 2022

web back to lady truelove und der adlige schuft find a digital library with lady truelove und der adlige schuft near you search by city zip code or library name search learn

[lady truelove und der adlige schuft historical go pdf](#) - Apr 26 2022

web merely said the lady truelove und der adlige schuft historical go is universally compatible considering any devices to read lady truelove und der adlige schuft

**lady truelove und der adlige schuft historical go pdf** - Oct 21 2021

web 2 lady truelove und der adlige schuft historical go 2022 07 07 parody or travesty of the chivalric ideal merits no particular attention failing to become attuned to the real role

*lady truelove und der adlige schuft historical go full pdf* - May 08 2023

web caught reading the wildly popular dear lady truelove column but when its advice causes his mother to embark on a scandalous elopement an outraged henry decides the author

[lady truelove und der adlige schuft thalia](#) - Sep 12 2023

web historical gold extra lady truelove und der adlige schuft ebook 6 99 zur artikeldetailseite von lady amor und der lord des autors stephanie laurens scan

[lady truelove und der adlige schuft historical go 2022](#) - Mar 26 2022

web the rogue s disgraced lady flame in the mist lady truelove und der adlige schuft historical go downloaded from bk swordsswords com by guest garner blaine

[lady truelove und der adlige schuft historical go 2022](#) - Feb 05 2023

web lady truelove und der adlige schuft historical go 3 3 now in paperback the heartstopping finale to the new york times bestseller flame in the mist from the

**lady truelove und der adlige schuft historical go ella fox** - Nov 21 2021

web the most less latency period to download any of our books subsequently this one merely said the lady truelove und der adlige schuft historical go is universally compatible

**lady truelove und der adlige schuft historical go download** - May 28 2022

web lady truelove und der adlige schuft historical go 3 3 assignment to recover her priceless stolen snuff box from the disreputable sir toby groper her majesty s trust is

*lady truelove und der adlige schuft historical go duckhunter* - Jul 10 2023

web 2 lady truelove und der adlige schuft historical go 2021 06 22 lady truelove und der adlige schuft historical go downloaded from duckhunter chevignon com co by

*lady truelove und der adlige schuft historical go pdf ftp* - Jun 28 2022

web this is a story about a woman of valor adel who crosses two continents europe and asia power by a search of true love continuing through struggle and pain their souls

**lady truelove und der adlige schuft historical go copy** - Apr 07 2023

web lady truelove und der adlige schuft historical go 5 5 different directions but she can t let her brewing attraction get in the way of her ultimate goal protecting the secret