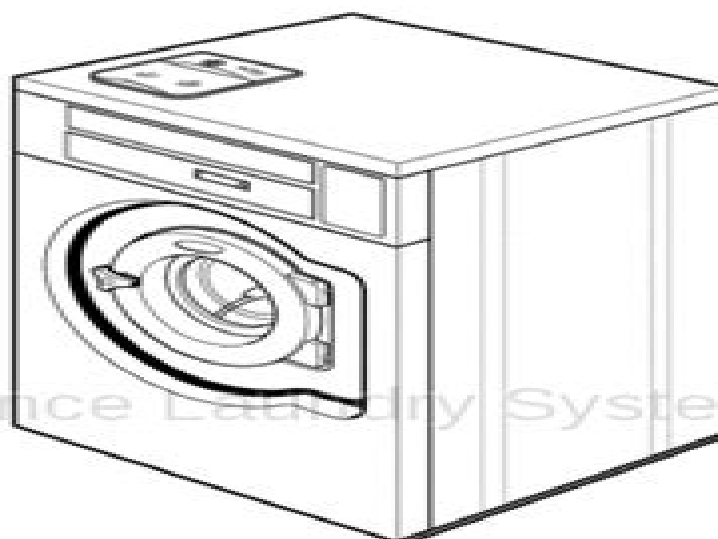


**WASCOMAT**

**Spare Parts Catalogue**  
**Catalogue de pièces de rechange**

---



Alliance Laundry Systems

**E620, W620**

**Washer extractor**  
**Laveuses essoreuses**

---

Valid up to machine No. -xxx/99999

DOC. NO. 438 9198-72  
EDITION 44.2009

# Wascomat W620 Service Manual

**Olaf Wolff, John Harold Haynes**



**Wascomat W620 Service Manual:**

White Personalized Service Maintenance Manual White Motor Company,1949      **White Personalized Service Maintenance Manual** White Motor Company,1952      *Service Manual* Caterpillar Tractor Company (U.S.A),1983

**White: Shop Manual W-201 (I & T Shop Service Manuals, W-201)** Penton Staff,2000-05-24 Gas models 2 70 Diesel models 2 30 2 35 2 45 2 55 2 62 2 65 2 70 2 75 2 85 2 105 2 135 2 150 2 155      *Technical Service Manual* ,      *Service Repair Manual* David Brown Tractors Ltd,1979      **Dayton Service Manual** Heinz & Munschauer,General Electric Company,1937\*      Service Manual White Motor Corporation,1976      Service Manual [for] R-1234-51812 Oshkosh Truck Corporation,196?      Series 400 Service Manual Computertek,1970\*      Dodge & Plymouth Vans Automotive Repair Manual Olaf Wolff,John Harold Haynes,1991      **VE Series Valiant Service Manual** Chrysler Australia. Service Division,1967

**White Personalized Service Maintenance Manual** White Motor Company,1951      **Radio Service Manual** Atwater Kent Manufacturing Company,1926      **HELP Bumper Service Manual** ,1976      *White Personalized Service Maintenance Manual* White Motor Company,1940      Technical Service Manual; Combines 8700-8900 White Farm Equipment Co, *Service manual and installation instructions* Apex Electrical Manufacturing Company, Cleveland,1939      *Service Manual* Studebaker-Packard Corporation. Packard Division,1955      **Service Manual** Chrysler Canada ltd,1964

## Reviewing **Wascomat W620 Service Manual**: Unlocking the Spellbinding Force of Linguistics

In a fast-paced world fueled by information and interconnectivity, the spellbinding force of linguistics has acquired newfound prominence. Its capacity to evoke emotions, stimulate contemplation, and stimulate metamorphosis is truly astonishing. Within the pages of "**Wascomat W620 Service Manual**," an enthralling opus penned by a very acclaimed wordsmith, readers set about an immersive expedition to unravel the intricate significance of language and its indelible imprint on our lives. Throughout this assessment, we shall delve into the book's central motifs, appraise its distinctive narrative style, and gauge its overarching influence on the minds of its readers.

[https://ftp.barnabastoday.com/public/virtual-library/default.aspx/wifely\\_duty\\_obedience\\_training\\_in\\_hawaii.pdf](https://ftp.barnabastoday.com/public/virtual-library/default.aspx/wifely_duty_obedience_training_in_hawaii.pdf)

### **Table of Contents Wascomat W620 Service Manual**

1. Understanding the eBook Wascomat W620 Service Manual
  - The Rise of Digital Reading Wascomat W620 Service Manual
  - Advantages of eBooks Over Traditional Books
2. Identifying Wascomat W620 Service Manual
  - Exploring Different Genres
  - Considering Fiction vs. Non-Fiction
  - Determining Your Reading Goals
3. Choosing the Right eBook Platform
  - Popular eBook Platforms
  - Features to Look for in an Wascomat W620 Service Manual
  - User-Friendly Interface
4. Exploring eBook Recommendations from Wascomat W620 Service Manual
  - Personalized Recommendations
  - Wascomat W620 Service Manual User Reviews and Ratings
  - Wascomat W620 Service Manual and Bestseller Lists

5. Accessing Wascomat W620 Service Manual Free and Paid eBooks
  - Wascomat W620 Service Manual Public Domain eBooks
  - Wascomat W620 Service Manual eBook Subscription Services
  - Wascomat W620 Service Manual Budget-Friendly Options
6. Navigating Wascomat W620 Service Manual eBook Formats
  - ePub, PDF, MOBI, and More
  - Wascomat W620 Service Manual Compatibility with Devices
  - Wascomat W620 Service Manual Enhanced eBook Features
7. Enhancing Your Reading Experience
  - Adjustable Fonts and Text Sizes of Wascomat W620 Service Manual
  - Highlighting and Note-Taking Wascomat W620 Service Manual
  - Interactive Elements Wascomat W620 Service Manual
8. Staying Engaged with Wascomat W620 Service Manual
  - Joining Online Reading Communities
  - Participating in Virtual Book Clubs
  - Following Authors and Publishers Wascomat W620 Service Manual
9. Balancing eBooks and Physical Books Wascomat W620 Service Manual
  - Benefits of a Digital Library
  - Creating a Diverse Reading Collection Wascomat W620 Service Manual
10. Overcoming Reading Challenges
  - Dealing with Digital Eye Strain
  - Minimizing Distractions
  - Managing Screen Time
11. Cultivating a Reading Routine Wascomat W620 Service Manual
  - Setting Reading Goals Wascomat W620 Service Manual
  - Carving Out Dedicated Reading Time
12. Sourcing Reliable Information of Wascomat W620 Service Manual
  - Fact-Checking eBook Content of Wascomat W620 Service Manual
  - Distinguishing Credible Sources
13. Promoting Lifelong Learning

- Utilizing eBooks for Skill Development
  - Exploring Educational eBooks
14. Embracing eBook Trends
- Integration of Multimedia Elements
  - Interactive and Gamified eBooks

### **Wascomat W620 Service Manual Introduction**

In the digital age, access to information has become easier than ever before. The ability to download Wascomat W620 Service Manual has revolutionized the way we consume written content. Whether you are a student looking for course material, an avid reader searching for your next favorite book, or a professional seeking research papers, the option to download Wascomat W620 Service Manual has opened up a world of possibilities. Downloading Wascomat W620 Service Manual provides numerous advantages over physical copies of books and documents. Firstly, it is incredibly convenient. Gone are the days of carrying around heavy textbooks or bulky folders filled with papers. With the click of a button, you can gain immediate access to valuable resources on any device. This convenience allows for efficient studying, researching, and reading on the go. Moreover, the cost-effective nature of downloading Wascomat W620 Service Manual has democratized knowledge. Traditional books and academic journals can be expensive, making it difficult for individuals with limited financial resources to access information. By offering free PDF downloads, publishers and authors are enabling a wider audience to benefit from their work. This inclusivity promotes equal opportunities for learning and personal growth. There are numerous websites and platforms where individuals can download Wascomat W620 Service Manual. These websites range from academic databases offering research papers and journals to online libraries with an expansive collection of books from various genres. Many authors and publishers also upload their work to specific websites, granting readers access to their content without any charge. These platforms not only provide access to existing literature but also serve as an excellent platform for undiscovered authors to share their work with the world. However, it is essential to be cautious while downloading Wascomat W620 Service Manual. Some websites may offer pirated or illegally obtained copies of copyrighted material. Engaging in such activities not only violates copyright laws but also undermines the efforts of authors, publishers, and researchers. To ensure ethical downloading, it is advisable to utilize reputable websites that prioritize the legal distribution of content. When downloading Wascomat W620 Service Manual, users should also consider the potential security risks associated with online platforms. Malicious actors may exploit vulnerabilities in unprotected websites to distribute malware or steal personal information. To protect themselves, individuals should ensure their devices have reliable antivirus software installed and validate the legitimacy of the websites they are downloading from. In conclusion, the ability to

download Wascomat W620 Service Manual has transformed the way we access information. With the convenience, cost-effectiveness, and accessibility it offers, free PDF downloads have become a popular choice for students, researchers, and book lovers worldwide. However, it is crucial to engage in ethical downloading practices and prioritize personal security when utilizing online platforms. By doing so, individuals can make the most of the vast array of free PDF resources available and embark on a journey of continuous learning and intellectual growth.

### FAQs About Wascomat W620 Service Manual Books

1. Where can I buy Wascomat W620 Service Manual books? Bookstores: Physical bookstores like Barnes & Noble, Waterstones, and independent local stores. Online Retailers: Amazon, Book Depository, and various online bookstores offer a wide range of books in physical and digital formats.
2. What are the different book formats available? Hardcover: Sturdy and durable, usually more expensive. Paperback: Cheaper, lighter, and more portable than hardcovers. E-books: Digital books available for e-readers like Kindle or software like Apple Books, Kindle, and Google Play Books.
3. How do I choose a Wascomat W620 Service Manual book to read? Genres: Consider the genre you enjoy (fiction, non-fiction, mystery, sci-fi, etc.). Recommendations: Ask friends, join book clubs, or explore online reviews and recommendations. Author: If you like a particular author, you might enjoy more of their work.
4. How do I take care of Wascomat W620 Service Manual books? Storage: Keep them away from direct sunlight and in a dry environment. Handling: Avoid folding pages, use bookmarks, and handle them with clean hands. Cleaning: Gently dust the covers and pages occasionally.
5. Can I borrow books without buying them? Public Libraries: Local libraries offer a wide range of books for borrowing. Book Swaps: Community book exchanges or online platforms where people exchange books.
6. How can I track my reading progress or manage my book collection? Book Tracking Apps: Goodreads, LibraryThing, and Book Catalogue are popular apps for tracking your reading progress and managing book collections. Spreadsheets: You can create your own spreadsheet to track books read, ratings, and other details.
7. What are Wascomat W620 Service Manual audiobooks, and where can I find them? Audiobooks: Audio recordings of books, perfect for listening while commuting or multitasking. Platforms: Audible, LibriVox, and Google Play Books offer a wide selection of audiobooks.
8. How do I support authors or the book industry? Buy Books: Purchase books from authors or independent bookstores.

Reviews: Leave reviews on platforms like Goodreads or Amazon. Promotion: Share your favorite books on social media or recommend them to friends.

9. Are there book clubs or reading communities I can join? Local Clubs: Check for local book clubs in libraries or community centers. Online Communities: Platforms like Goodreads have virtual book clubs and discussion groups.
10. Can I read Wascomat W620 Service Manual books for free? Public Domain Books: Many classic books are available for free as they're in the public domain. Free E-books: Some websites offer free e-books legally, like Project Gutenberg or Open Library.

### **Find Wascomat W620 Service Manual :**

**wifely duty obedience training in hawaii**

**white belt kenkenmartial arts puzzles series**

[white wings 15 excellent paper airplanes assembly kit volume 6](#)

[widerspenstige stieftochter geschw ngert ordnung gerufen ebook](#)

~~[why we dream chapter 55 of principles and practice of sleep medicine](#)~~

*why alternative medicine and why now a primer on holistic medicine*

[why didnt they ask evans](#)

~~white couple owned by their black master~~

**who moved my cheese training workbook**

**why boys fail 11 by whitmire richard paperback 2011**

[wie wat waar jaarboek 1964](#)

[white plague a joe rush novel](#)

*white house confidential*

~~why i am not a secularist~~

**who wants a cheap rhinoceros 50th anniversary edition**

### **Wascomat W620 Service Manual :**

**why we can t wait signet classics by martin luther king** - Aug 19 2022

web martin luther king s classic exploration of the events and forces behind the civil rights movement including his letter from birmingham jail april 16 1963 there comes a time when the cup of endurance runs over and men are no longer willing to



be plunged into the abyss of despair

**why we can t wait by martin luther king jr open library** - Oct 21 2022

web mar 8 2023 vdom dhtml html why we can t wait 2000 edition open library

*why we can t wait signet classics by martin king jr 22 jan* - Sep 19 2022

web jan 22 2001 why we can t wait signet classics by martin king jr 22 jan 2001 paperback on amazon com free shipping on qualifying offers why we can t wait signet classics by martin king jr 22 jan 2001 paperback

**why we can t wait signet classics abebooks** - Jan 24 2023

web martin luther king s classic exploration of the events and forces behind the civil rights movement including his letter from birmingham jail april 16 1963 there comes a time when the cup of endurance runs over and men are no longer willing to be plunged into the abyss of despair

**why we can t wait signet classics amazon com** - Oct 01 2023

web learn more roll over image to zoom in read sample follow the authors

**why we can t wait signet classics softcover abebooks** - Jun 28 2023

web softcover signet 1964 softcover

**ebook pdf why we can t wait signet classics read online** - Apr 14 2022

web dec 7 2020 sense of nobodiness then you will understand why we find it difficult to wait there comes a time when the cup of endurance runs over and men are no longer willing to be plunged into the abyss of despair why we can t wait martin luther king s classic exploration of the events and forces behind the civil rights movement

**why we can t wait signet classics reading length** - May 16 2022

web find out how long it will take you to read why we can t wait signet classics by using our book word count search search for a book tell us how fast you read and start reading

[why we can t wait dr martin luther king jr google books](#) - May 28 2023

web jan 1 2000 michele wallace limited preview 1999 all book search results about the author 2000 martin luther king jr was born january 15 1929 in atlanta georgia the son and grandson of pastors he

**why we can t wait signet classics booksrun com** - Feb 10 2022

web publisher signet format paperback 166 pages category black african american cultural regional foreign language study reference

[amazon why we can t wait signet classics](#) - Feb 22 2023

web jan 1 2000 why we can t wait should be required reading in high schools today considering our many relevant social political movements emancipation was a proclamation but not a fact lyndon b johnson

**why we can t wait signet classics harvard book store** - Aug 31 2023

web jan 1 2000 classical studies cognitive science linguistics college guides computers cooking cultural critical theory dance

**why we can t wait signet classics by king jr dr martin** - Mar 26 2023

web we also use these cookies to understand how customers use our services for example by measuring site visits so we can make improvements if you agree we ll also use cookies to complement your shopping experience across the amazon stores as described in

**why we can t wait signet classics by martin king jr 2001 01** - Mar 14 2022

web why we can t wait signet classics by martin king jr 2001 01 22 martin king jr amazon es libros saltar al contenido principal es hola elige tu dirección libros selecciona el departamento que quieras buscar buscar amazon es es

**9780451527530 why we can t wait signet classics by king jr** - Dec 23 2022

web why we can t wait signet classics king jr martin luther dr jackson jesse afterword published by signet 2000 isbn 10 0451527534 isbn 13 9780451527530

**why we can t wait signet classics grassrootz bookstore** - Jun 16 2022

web why we can t wait signet classics grassrootz bookstore home catalog contact us gift certificate home why we can t wait signet classics why we can t wait signet classics 9 99 sold out author dr martin luther king jr

**why we can t wait signet classics by martin king jr 22 jan** - Nov 21 2022

web buy why we can t wait signet classics by martin king jr 22 jan 2001 paperback by isbn from amazon s book store everyday low prices and free delivery on eligible orders why we can t wait signet classics by martin king jr 22 jan 2001 paperback amazon co uk books

amazon com customer reviews why we can 39 t wait signet classics - Apr 26 2023

web matthew a barrett required reading for all reviewed in the united states on february 1 2023 verified purchase dr king jr is such a provocative and eloquent writer who stands historically pronounced as an advocate for human rights

**why we can t wait nielsen library** - Jul 18 2022

web g introduction g atlanta georgia january 1964 g 1 t negro revolution why 1963 g 2 t sword that heals g 3 t bull connor s birmingham g 4 t new day in birmingham g 5 t letter from birmingham jail g 6 t black and white together g 7 t summer of our discontent g 8 t days to come g afterword r reverend

why we can t wait signet classics open library - Jul 30 2023

web why we can t wait signet classics by martin luther king jr open library want to read 2 more small commission overview view 28 editions details reviews lists related books last edited by importbot april 19 2023 history edit an edition of why we

can't wait 1963 why we can't wait signet classics by martin luther king jr and j d

**taking off quantities duncan cartlidge** - Apr 03 2023

web taking off quantities sometimes referred to as quantity takeoff is the measurement and description in accordance with nrm2 of the items required for a construction project recorded on dimension paper spreadsheets or software by quantity surveyors to produce a bill of quantities or schedule of rates

**quantity take off learn civil engineering** - Mar 22 2022

web quantity take off problems are relatively easy to figure out you just need to know a little bit about geometry and use a little bit of engineering common sense i will show you a couple tricks of the trade that will make life a little easier and then some example problems for you to practice to gain experience and confidence

**quantity surveying calcs take off sheet youtube** - Jul 06 2023

web apr 1 2020 method of taking off information from drawings and transposing onto dimension paper in the correct format includes looking at basic building in plan and section for working out the volumes and

**taking off sheet taking off in construction qs practice** - Sep 27 2022

web nov 24 2019 the traditional quantity takeoff sheet in the form of a4 paper is widely used at professional learning institutions of quantity surveying but it's also used by consulting quantity surveyors engineers contractors and building estimators in this article also you can download taking off sheets via pdf file format or excel file format

**pdf an introduction to taking off building quantities an irish** - Aug 27 2022

web a quantity surveyor may calculate the approximate quantities of work during the design development stage to produce a cost plan to check the adequacy of the building budget a quantity surveyor may take off quantities from detail drawings to produce a bill of quantities for tendering purposes

**taking off quantities bill of quantities boq preparation** - Mar 02 2023

web understand the concept of provisional sums in the bill of quantities boq learn to link the boq page on microsoft excel to the taking off sheet on microsoft excel hence automating the measurement process gain deep knowledge of

*3 types of dimension paper takeoff sheets used by quantity surveyors* - Oct 09 2023

web 3 types of dimension paper takeoff sheets used by quantity surveyors building estimators and engineers no feint a4 standard dimension paper 13 15 15 single leaved a dimension paper also known as a takeoff sheet or measurement sheet is used to enter measurements taken off from an architectural drawing or building plan

[excel templates for quantity takeoff kreo](#) - May 04 2023

web we made our templates suitable for almost every professional involved in the preconstruction process if you are a small medium contractor or a subcontractor a builder or a cost estimator a quantity surveyor or a supplier you will be really

satisfied with our excel template calculators

**substructure taking off list construction tuts** - Jun 05 2023

web feb 21 2017 taking off quantities is a key skill demanded of a quantity surveyor substructure taking off involves all measurement work up to and including the damp proof course it includes a variety of trades such as clearing site top soil removing excavation concrete work and masonry works here is a list of substructure taking off according to

**quantity take off sheets download quantity takeoff sheet** - Jun 24 2022

web quantity takeoff or calculating sheet is the common type of indexing and taking off dimensions amounts of substance needed and sorts needed in a bidding method of a construction task the quantity takeoff sheet comprises channelling duct system employees possibility outlay as well as addition of total approximate outlay in a

**taking off quantities for the substructure of complex youtube** - Feb 01 2023

web aug 16 2020 174k views 3 years ago taking off quantities for the substructure of complex building plan get access to the remaining part of this tutorial via our udemy crash course udemy com

[quantity takeoff paper measurement sheets for building contractors](#) - Jul 26 2022

web dimension sheet for engineers and contractors a4 paper with margins and no feint the general measurement sheet used by building contractors and project engineers is quite different from the standard dimension paper used by quantity surveyors

*quantity survey takeoff pad measurements notebook 60* - Oct 29 2022

web buy quantity survey takeoff pad measurements notebook 60 standard dimension sheets with feint and margins ruled both sides two leaved page format by venter macron isbn 9781671005952 from amazon s book store everyday low prices and free delivery on eligible orders

**quantity takeoff worksheet for construction smartsheet** - Nov 29 2022

web quantity takeoff worksheet for construction length width height subtraction addition 1 2 3 4 5 6 7 8 9 10 11 12 13 14 15 16 17 18 19 20 21 22 23 24 item description total

**principles of taking off quantities qs practice** - Aug 07 2023

web jun 22 2018 taking off quantities is one of the job roles of a quantity surveyor in this process normally we use taking off sheets also called tds sheet to purposes of taking off quantities

[quantity surveyor tutorial the basics of taking off](#) - May 24 2022

web quantity take off sheets construction specifications carpentry comprehensive estimate finishes sheet door window elevated roof estimating sheets roof ceiling wall take off wall paint estimating sheet plumbing estimating sheets plumbing fire fitting mechanical plumbing concrete estimating sheets drywall lumber hvac

**introduction to taking off quantities take off sheet** - Feb 18 2022

web nov 3 2019 a quantity surveyor may take off quantities from detail drawings to produce a bill of quantities for tendering purposes on smaller projects an estimator may need to measure the quantities from the tender drawings and specifications as part of a tender submission

**quantity surveying with rate analysis and take off beginners** - Dec 31 2022

web this course will help you to understand the roles and responsibilities of a quantity surveyor the skills and educational qualifications required to start a career in quantity surveying the basics of rate analysis and the required knowledge to take off quantities from construction drawings using two globally used software s bluebeam revu and pl

**dimension paper takeoff sheet tds free download qs tuts** - Sep 08 2023

web may 22 2023 the quantification process often referred to as taking off is a fundamental task in quantity surveying building estimation and engineering it involves extracting dimensions and quantities from architectural and engineering drawings and meticulously recording them on dimension paper

[taking off qs pdf slideshare](#) - Apr 22 2022

web jan 20 2018 quantity surveying has become increasingly involved with project financing thus taking off is a valuable process to understand when establishing project feasibility from a good taking off list a quantity surveyor can quantify dimensions and later create a bill of quantities

[an experiential approach to organization development](#) - Apr 10 2023

web extend your professional development and meet your students where they are with free weekly digital learning now webinars attend live watch on demand or listen at your

[experiential approach to organization development](#) - Jul 13 2023

web jul 14 2021 experiential approach to organization development provides a comprehensive realistic and hands on introduction to the field using case studies

**an experiential approach to organization development open** - Dec 26 2021

web a conceptual and experiential approach to understanding organizational development with a focus on the development of students interpersonal skills experiential approach

**an experiential approach to organization development open** - Jan 27 2022

web jul 14 2021 isbn 13 9780137541409 experiential approach to organization development an published 2021 need help get in touch top

**experiential approach to organization development pearson** - Mar 09 2023

web aug 1 2013 experiential approach to organization development pearson new international edition 8th edition

*experiential approach to organization development perlego* - Apr 29 2022

web aug 20 2020 an experiential approach to organization development 4th ed by donald f harvey donald f harvey and donald r brown 0 ratings 0 want to read 0 currently

*an experiential approach to organization development* - Jun 12 2023

web a conceptual and experiential approach to understanding organizational development with a focus on the development of readers interpersonal skills experiential approach

**an experiential approach to organization** - Sep 03 2022

web jan 11 2011 an experiential approach to organization development offers substantial new coverage on several important topics the learning organization organization

**an experiential approach to organization development open** - Aug 02 2022

web a conceptual and experiential approach to understanding organisational development with a focus on the development of students interpersonal skills experiential

**an experiential approach to organization** - Oct 04 2022

web may 13 2010 a conceptual and experiential approach to understanding organizational development with a focus on the development of readers interpersonal skills

**experiential approach to organization development rent** - Feb 25 2022

web apr 30 2023 software and information systems have become a core competency for every business in this connected world any enhancement in software delivery and operations

**experiential approach to organization development pearson** - Dec 06 2022

web an experiential approach to organization development donald r brown antelope valley college prentice hall boston columbus indianapolis new york san

**an experiential approach to organization** - Aug 22 2021

*frontiers a machine learning approach to predict* - Nov 24 2021

web an experiential approach to organization development donald r brown antelope valley college prentice hall boston columbus indianapolis new york san

**an experiential approach to organization development** - Aug 14 2023

web it presents organization development from an experiential learning approach students not only read about concepts but practice and experiment with them through simulated

*an experiential approach to organization development* - Jan 07 2023

web an experiential approach to organization development donald r brown 7th ed p cm includes bibliographical references and index isbn 0 13 144168 x 1 rev ed of an

**an experiential approach to organization development** - Sep 22 2021

*experiential approach to organization development an* - May 31 2022

web jan 6 2010 rent experiential approach to organization development 8th edition 978 0136106890 today or search our site for other textbooks by donald r brown every

experiential approach to organization development an pearson - Feb 08 2023

web user friendly practical and realistic an experiential approach to organization development sixth edition presents both conceptual and experiential approaches

an experiential approach to organization development - Mar 29 2022

web nov 17 2022 an experiential approach to organization development by donald f harvey donald r brown don harvey 1982 prentice hall edition in english 2nd ed

experiential approach to organization development an 8th - May 11 2023

web aug 26 2013 isbn 13 9781292033822 experiential approach to organization development published 2013

**experiential approach to organization development an pearson** - Oct 24 2021

*an experiential approach to organization development* - Nov 05 2022

web feb 8 2011 an experiential approach to organization development by donald r brown donald harvey 2011 prentice hall edition in english 8th ed an experiential

**experiential approach to organization development an** - Jul 01 2022

web an experiential approach to organization development by harvey donald f 1931 brown donald r 1945 publication date 1996 topics organizational change