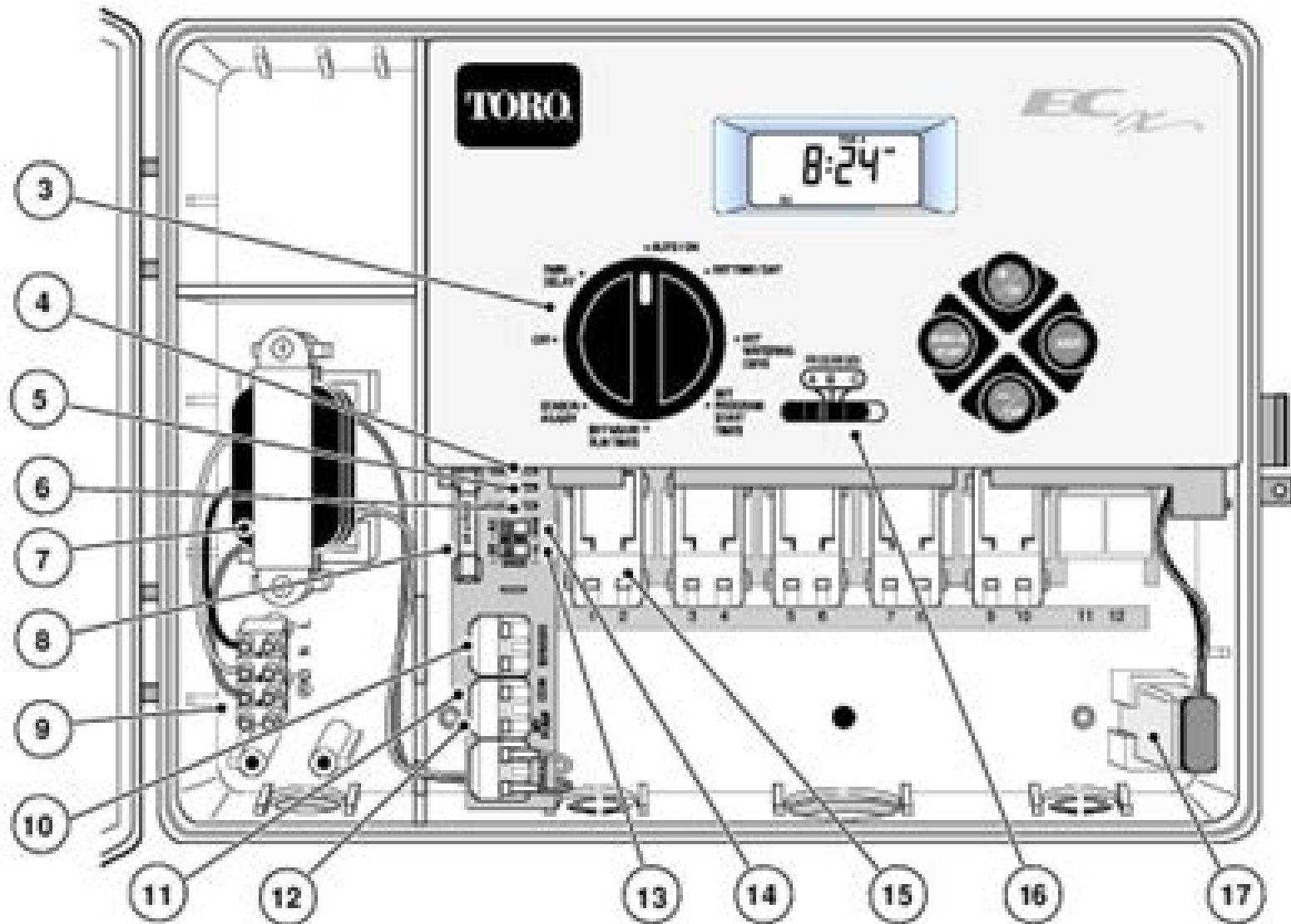


## Timer Components



# Toro Sprinkler Controller Manual Ecx

**Laura J. Gurak, Mary E. Hocks**



## **Toro Sprinkler Controller Manual Ex:**

**The Technical Communication Handbook** Laura J. Gurak, Mary E. Hocks, 2009 The Technical Communication Handbook a life long companion for technical communicators is a comprehensive reference guide for technical communication students at all levels as well as by practicing technical communicators and others writing in the technical workplace The handbook boasts a full color design extensively annotated model documents and coverage of current topics in intellectual property digital communication collaboration and accessibility issues

**Sprinklers and Watering Systems**  
Michael D. McKinley, 2005 Practical advice for planning watering zones appropriate to climates and landscape varieties Tips for successful do it yourself installation or for planning a system with a professional Complete how to for installing sprinkler equipment from a variety of manufacturers Illustrated step by step instructions troubleshooting tips and do it yourself hints

Toro Irrigation Specification Manual ,1978    Owner's Manual Automatic Sprinkler System ,1974    *A Guide to Troubleshooting Automatic Sprinkler Systems* ,1989

Fuel your quest for knowledge with Authored by is thought-provoking masterpiece, Dive into the World of **Toro Sprinkler Controller Manual Ecx** . This educational ebook, conveniently sized in PDF ( Download in PDF: \*), is a gateway to personal growth and intellectual stimulation. Immerse yourself in the enriching content curated to cater to every eager mind. Download now and embark on a learning journey that promises to expand your horizons. .

[https://ftp.barnabastoday.com/files/publication/Documents/yamaha\\_e323\\_manual.pdf](https://ftp.barnabastoday.com/files/publication/Documents/yamaha_e323_manual.pdf)

## **Table of Contents Toro Sprinkler Controller Manual Ecx**

1. Understanding the eBook Toro Sprinkler Controller Manual Ecx
  - The Rise of Digital Reading Toro Sprinkler Controller Manual Ecx
  - Advantages of eBooks Over Traditional Books
2. Identifying Toro Sprinkler Controller Manual Ecx
  - Exploring Different Genres
  - Considering Fiction vs. Non-Fiction
  - Determining Your Reading Goals
3. Choosing the Right eBook Platform
  - Popular eBook Platforms
  - Features to Look for in an Toro Sprinkler Controller Manual Ecx
  - User-Friendly Interface
4. Exploring eBook Recommendations from Toro Sprinkler Controller Manual Ecx
  - Personalized Recommendations
  - Toro Sprinkler Controller Manual Ecx User Reviews and Ratings
  - Toro Sprinkler Controller Manual Ecx and Bestseller Lists
5. Accessing Toro Sprinkler Controller Manual Ecx Free and Paid eBooks
  - Toro Sprinkler Controller Manual Ecx Public Domain eBooks
  - Toro Sprinkler Controller Manual Ecx eBook Subscription Services
  - Toro Sprinkler Controller Manual Ecx Budget-Friendly Options

6. Navigating Toro Sprinkler Controller Manual Ecx eBook Formats
  - ePub, PDF, MOBI, and More
  - Toro Sprinkler Controller Manual Ecx Compatibility with Devices
  - Toro Sprinkler Controller Manual Ecx Enhanced eBook Features
7. Enhancing Your Reading Experience
  - Adjustable Fonts and Text Sizes of Toro Sprinkler Controller Manual Ecx
  - Highlighting and Note-Taking Toro Sprinkler Controller Manual Ecx
  - Interactive Elements Toro Sprinkler Controller Manual Ecx
8. Staying Engaged with Toro Sprinkler Controller Manual Ecx
  - Joining Online Reading Communities
  - Participating in Virtual Book Clubs
  - Following Authors and Publishers Toro Sprinkler Controller Manual Ecx
9. Balancing eBooks and Physical Books Toro Sprinkler Controller Manual Ecx
  - Benefits of a Digital Library
  - Creating a Diverse Reading Collection Toro Sprinkler Controller Manual Ecx
10. Overcoming Reading Challenges
  - Dealing with Digital Eye Strain
  - Minimizing Distractions
  - Managing Screen Time
11. Cultivating a Reading Routine Toro Sprinkler Controller Manual Ecx
  - Setting Reading Goals Toro Sprinkler Controller Manual Ecx
  - Carving Out Dedicated Reading Time
12. Sourcing Reliable Information of Toro Sprinkler Controller Manual Ecx
  - Fact-Checking eBook Content of Toro Sprinkler Controller Manual Ecx
  - Distinguishing Credible Sources
13. Promoting Lifelong Learning
  - Utilizing eBooks for Skill Development
  - Exploring Educational eBooks
14. Embracing eBook Trends
  - Integration of Multimedia Elements

- Interactive and Gamified eBooks

## **Toro Sprinkler Controller Manual Ecx Introduction**

In the digital age, access to information has become easier than ever before. The ability to download Toro Sprinkler Controller Manual Ecx has revolutionized the way we consume written content. Whether you are a student looking for course material, an avid reader searching for your next favorite book, or a professional seeking research papers, the option to download Toro Sprinkler Controller Manual Ecx has opened up a world of possibilities. Downloading Toro Sprinkler Controller Manual Ecx provides numerous advantages over physical copies of books and documents. Firstly, it is incredibly convenient. Gone are the days of carrying around heavy textbooks or bulky folders filled with papers. With the click of a button, you can gain immediate access to valuable resources on any device. This convenience allows for efficient studying, researching, and reading on the go. Moreover, the cost-effective nature of downloading Toro Sprinkler Controller Manual Ecx has democratized knowledge. Traditional books and academic journals can be expensive, making it difficult for individuals with limited financial resources to access information. By offering free PDF downloads, publishers and authors are enabling a wider audience to benefit from their work. This inclusivity promotes equal opportunities for learning and personal growth. There are numerous websites and platforms where individuals can download Toro Sprinkler Controller Manual Ecx. These websites range from academic databases offering research papers and journals to online libraries with an expansive collection of books from various genres. Many authors and publishers also upload their work to specific websites, granting readers access to their content without any charge. These platforms not only provide access to existing literature but also serve as an excellent platform for undiscovered authors to share their work with the world. However, it is essential to be cautious while downloading Toro Sprinkler Controller Manual Ecx. Some websites may offer pirated or illegally obtained copies of copyrighted material. Engaging in such activities not only violates copyright laws but also undermines the efforts of authors, publishers, and researchers. To ensure ethical downloading, it is advisable to utilize reputable websites that prioritize the legal distribution of content. When downloading Toro Sprinkler Controller Manual Ecx, users should also consider the potential security risks associated with online platforms. Malicious actors may exploit vulnerabilities in unprotected websites to distribute malware or steal personal information. To protect themselves, individuals should ensure their devices have reliable antivirus software installed and validate the legitimacy of the websites they are downloading from. In conclusion, the ability to download Toro Sprinkler Controller Manual Ecx has transformed the way we access information. With the convenience, cost-effectiveness, and accessibility it offers, free PDF downloads have become a popular choice for students, researchers, and book lovers worldwide. However, it is crucial to engage in ethical downloading practices and prioritize personal security when utilizing online platforms. By doing so, individuals can make the most of the vast array of

free PDF resources available and embark on a journey of continuous learning and intellectual growth.

### **FAQs About Toro Sprinkler Controller Manual Ecx Books**

How do I know which eBook platform is the best for me? Finding the best eBook platform depends on your reading preferences and device compatibility. Research different platforms, read user reviews, and explore their features before making a choice. Are free eBooks of good quality? Yes, many reputable platforms offer high-quality free eBooks, including classics and public domain works. However, make sure to verify the source to ensure the eBook credibility. Can I read eBooks without an eReader? Absolutely! Most eBook platforms offer webbased readers or mobile apps that allow you to read eBooks on your computer, tablet, or smartphone. How do I avoid digital eye strain while reading eBooks? To prevent digital eye strain, take regular breaks, adjust the font size and background color, and ensure proper lighting while reading eBooks. What the advantage of interactive eBooks? Interactive eBooks incorporate multimedia elements, quizzes, and activities, enhancing the reader engagement and providing a more immersive learning experience. Toro Sprinkler Controller Manual Ecx is one of the best book in our library for free trial. We provide copy of Toro Sprinkler Controller Manual Ecx in digital format, so the resources that you find are reliable. There are also many Ebooks of related with Toro Sprinkler Controller Manual Ecx. Where to download Toro Sprinkler Controller Manual Ecx online for free? Are you looking for Toro Sprinkler Controller Manual Ecx PDF? This is definitely going to save you time and cash in something you should think about. If you trying to find then search around for online. Without a doubt there are numerous these available and many of them have the freedom. However without doubt you receive whatever you purchase. An alternate way to get ideas is always to check another Toro Sprinkler Controller Manual Ecx. This method for see exactly what may be included and adopt these ideas to your book. This site will almost certainly help you save time and effort, money and stress. If you are looking for free books then you really should consider finding to assist you try this. Several of Toro Sprinkler Controller Manual Ecx are for sale to free while some are payable. If you arent sure if the books you would like to download works with for usage along with your computer, it is possible to download free trials. The free guides make it easy for someone to free access online library for download books to your device. You can get free download on free trial for lots of books categories. Our library is the biggest of these that have literally hundreds of thousands of different products categories represented. You will also see that there are specific sites catered to different product types or categories, brands or niches related with Toro Sprinkler Controller Manual Ecx. So depending on what exactly you are searching, you will be able to choose e books to suit your own need. Need to access completely for Campbell Biology Seventh Edition book? Access Ebook without any digging. And by having access to our ebook online or by storing it on your computer, you have convenient answers with Toro Sprinkler Controller Manual Ecx

To get started finding Toro Sprinkler Controller Manual Ecx, you are right to find our website which has a comprehensive collection of books online. Our library is the biggest of these that have literally hundreds of thousands of different products represented. You will also see that there are specific sites catered to different categories or niches related with Toro Sprinkler Controller Manual Ecx So depending on what exactly you are searching, you will be able to choose ebook to suit your own need. Thank you for reading Toro Sprinkler Controller Manual Ecx. Maybe you have knowledge that, people have search numerous times for their favorite readings like this Toro Sprinkler Controller Manual Ecx, but end up in harmful downloads. Rather than reading a good book with a cup of coffee in the afternoon, instead they juggled with some harmful bugs inside their laptop. Toro Sprinkler Controller Manual Ecx is available in our book collection an online access to it is set as public so you can download it instantly. Our digital library spans in multiple locations, allowing you to get the most less latency time to download any of our books like this one. Merely said, Toro Sprinkler Controller Manual Ecx is universally compatible with any devices to read.

### **Find Toro Sprinkler Controller Manual Ecx :**

#### **yamaha e323 manual**

[yamaha fj600 fz600 xj600 yx600 radian shop manual 1984 1992](#)

[yamaha nouvo manual](#)

#### **yamaha marine outboard 9 9hp 15hp n q full service repair manual 1983 1988**

[yamaha fazer 600 s2 service manual](#)

[yamaha it250l it490l complete workshop repair manual 1984 onwards](#)

[yamaha mg24 14fx manual](#)

#### **yamaha outboard repair manual download**

[yamaha fz6 manuals](#)

#### **yamaha outboard 85 hp workshop manual**

[yamaha dtr 125 service manual](#)

#### **yamaha motif manuals**

#### **yamaha mm6 manuals**

[yamaha fz16 manual](#)

[yamaha grizzly 80 service manual](#)



## Toro Sprinkler Controller Manual Ecx :

Financial Markets and Institutions by Saunders, Anthony This ISBN:9781260091953 is an International Student edition of Financial Markets And Institutions 7Th Edition by Anthony Saunders (Author), Marcia Millon ... Financial Institutions, Instruments and Markets Financial Institutions, Instruments & Markets, seventh edition, is the definitive, market-leading resource for students learning about the modern financial ... Financial Institutions, Instruments and Markets Information ... Online Learning Centre to accompany "Financial Institutions, Instruments and Markets 7th edition" by Christopher Viney, Peter Phillips. Financial institutions, instruments & markets / Christopher ... Financial Institutions, Instruments & Markets, seventh edition, is the definitive, market-leading resource for students learning about the modern financial ... Test Bank For Financial Institutions Instruments ... - YouTube Test Bank For Financial Institutions Instruments And Markets 7th Edition By Viney. No views · 15 minutes ago ...more. College Study Materials. Financial Markets and Institutions Global 7th Edition ... Mar 16, 2023 — Financial Markets and Institutions Global 7th Edition Mishkin Test Bank. Page 1. Chapter 2 Overview of the Financial System. 2.1 Multiple Choice. Test-Bank-for-Financial-Institutions-Instruments-and- ... Test-Bank-for-Financial-Institutions-Instruments-and-Markets-7th-Edition-by-Viney · 1.The exchange of goods and services is made more efficient by: · A. barter. Financial institutions, instruments & markets A first-year tertiary textbook aimed at students in Australia, New Zealand and Asia. Covers modern financial institutions and how markets operate, ... Financial Institutions And Markets 7th Edition The financial market is defined as the platform wherein market participants, net lenders and net borrowers come together to trade financial instruments ... Results for "financial markets and institutions global edition" Showing results for "financial markets and institutions global edition". 1 ... Global Economic System, The: How Liquidity Shocks Affect Financial Institutions and ... Unique Global Imports Simulation Helpful Hints Unique Global Imports Simulation. Helpful Hints. FORM. JOURNAL. 1. Sales. 2. Purchases. 3. Cash Payments. 4. Sales. 5. Purchases. 6. Cash Payments. A-R. Bank ... Manual Simulation Key, Unique Global Imports For use with Century 21 Accounting First Year, 9th Edition, by Claudia Bienias Gilbertson, CPA and Mark W. Lehman, CPA. Manual Simulation Key, Unique Global Imports By Claudia ... New Unused Paperback. Pictured item is what you will receive. Unique Global Imports Manual Simulation for Gilbertson ... Students bring treasures and specialty items from far reaching lands to modern home décor while practicing accounting applications in this dynamic merchandising ... Manual Simulation Key, Unique Global Imports - Softcover Manual Simulation Key, Unique Global Imports by Claudia Bienias Gilbertson; Mark W. Lehman - ISBN 10: 0538447419 - ISBN 13: 9780538447416 - South-Western ... Unique Global Imports Manual Simulation 9th Find 9780538447393 Unique Global Imports Manual Simulation 9th Edition by Claudia Bienias Gilbertson et al at over 30 bookstores. Buy, rent or sell. Unique global imports manual simulation answer key The easiest way to modify Unique global imports accounting answer key in PDF format online ... Adjusting paperwork with our extensive and user-friendly PDF editor ... Unique Global Imports - YouTube Unique Global

Imports: Manual Simulation Key Unique Global Imports: Manual Simulation Key by Claudia Bienias Gilbertson, Mark W. Lehman. (Paperback 9780538447416) Century 21 South-Western Accounting: Unique Global ... Apr 25, 2023 — Century 21 South-Western Accounting: Unique Global Imports: Manual Simulation (9th Edition). by Claudia Bienias Gilbertson, Mark W. Lehman, ... Scholastic Metaphysics: A Contemporary Introduction ... Published in 2014 Edward Feser's 'Scholastic Metaphysics: A Contemporary Introduction' provides a modern-day overview of scholastic metaphysics; the branch of ... Scholastic Metaphysics: A Contemporary Introduction | Reviews Sep 12, 2014 — Edward Feser demonstrates a facility with both Scholastic and contemporary analytical concepts, and does much to span the divide between the two ... Scholastic Metaphysics A Contemporary Introduction Sep 5, 2020 — Edward Feser. Scholastic Metaphysics. A Contemporary Introduction. editiones scholasticae. Book page image. editiones scholasticae Volume 39. Scholastic Metaphysics: A Contemporary Introduction Edward Feser is Associate Professor of Philosophy at Pasadena City College in Pasadena, California, USA. His many books include Scholastic Metaphysics: A ... Scholastic Metaphysics: A Contemporary Introduction ... By Edward Feser ; Description. Scholastic Metaphysics provides an overview of Scholastic approaches to causation, substance, essence, modality, identity, ... Besong on Scholastic Metaphysics Dec 27, 2016 — Scholastic Metaphysics: A Contemporary Introduction provides an overview of Scholastic approaches to causation, substance, essence, modality ... Scholastic Metaphysics: A Contemporary Introduction Apr 1, 2014 — Dr. Edward Feser provides a well written introduction to scholastic metaphysics for contemporary philosophers interested in interacting with a ... Scholastic Metaphysics. A Contemporary Introduction by G Lazaroiu · 2015 — Scholastic Metaphysics. A Contemporary Introduction. Edward Feser (Pasadena City College). Piscataway, NJ: Transaction Books/Rutgers University, 2014, 302 pp ... Scholastic Metaphysics: A Contemporary Introduction ... Scholastic Metaphysics provides an overview of Scholastic approaches to causation, substance, essence, modality, identity, persistence, teleology, and other ... Scholastic Metaphysics. A Contemporary Introduction Scholastic Metaphysics. A Contemporary Introduction Edward Feser (Pasadena City College) Piscataway, NJ: Transaction Books/Rutgers University, 2014, 302 pp.