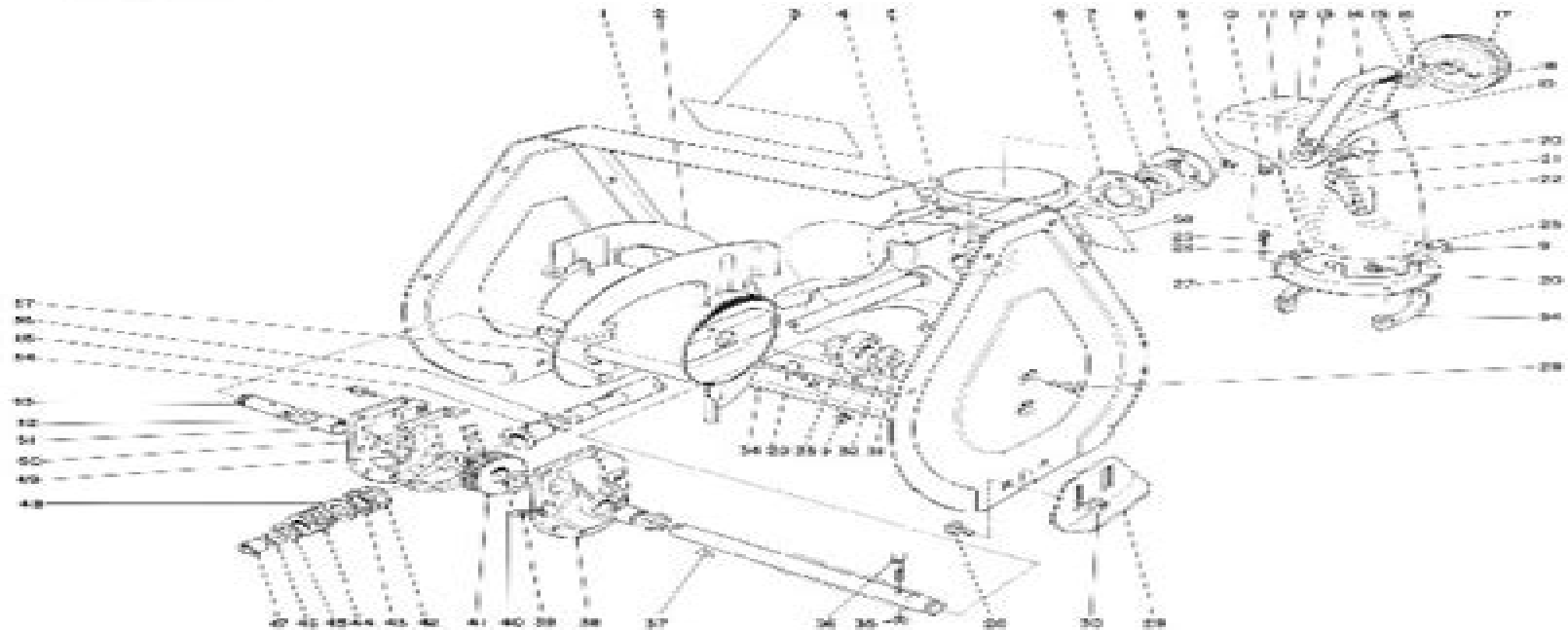




MODEL NO. 38035-7000001 & UP

**PARTS
CATALOG**
3521 SNOWTHROWER

AUGER ASSEMBLY

Ref. No.	Part No.	Description	No. Used
1	42-7320	Auger Housing	1
2	39-1180	Auger R.H.	1
3	39-1190	Auger L.H.	1
4	54-9910	Decal — Auger Warning	1
5	37-6990	Shaft & Impeller	1
6	3230-10	Carrier Bolt	2
7	26-6110	Flange — Bearing (Front)	1
8	26-6100	Ball Bearing	1
9	26-6120	Flange — Bearing (Rear)	1
10	3296-29	Locknut	1
11	3215-2-1	Locknut	2
12	3290-340	Washer Belleville	2
13	20-1320	Washer Rubber	2
14	53-7660	Decal — Discharge	1
15	37-8930	Handle Deflector	1
16	3-0737	Washer	1
18	32b7-5	Key	1

Ref. No.	Part No.	Description	No. Used
17	37-1690	Pulley	1
18	3242-4	Set Screw	2
19	11-3059	Deflector (Inc. Ref. #13)	1
20	3250-1	Carrier Bolt	14
21	53-7690	Wire — Chute	1
22	53-7600	Chute — Discharge	1
23	3256-23	Washer	3
24	37-6490	Retainer — Chute Ring	3
25	27-0230	Self Tapping Screw	6
26	3290-326	Push Nut	1
27	37-0940	Chute Ring	1
28	32144-70	Self Tapping Screw	4
29	40-8160	Skid	2
30	32128-20	Flange Nut	4
31	32151-36	Snap Ring	2
32	5-1560	Thrust Washer	1
33	37-6510	Auger Bearing	1

*Not Illustrated

*The Toro Company — 1986

PRICE \$1.00

Toro 38035 Service Manual

Jessica J Manson



Toro 38035 Service Manual:

Catalog of Copyright Entries ,1929-07 *Maintenance Manual, Toro-flow Diesel Engine* General Motors Corporation.
GMC Truck & Coach Division,1964 **Toro-flow Diesel Engine** General Motors Corporation. GMC Truck & Coach
Division,1965 **Maintenance Manual Toro-flow Diesel Engine, GMC Trucks** ,1968

Immerse yourself in heartwarming tales of love and emotion with its touching creation, Experience Love's Journey in **Toro 38035 Service Manual** . This emotionally charged ebook, available for download in a PDF format (*), is a celebration of love in all its forms. Download now and let the warmth of these stories envelop your heart.

<https://ftp.barnabastoday.com/About/virtual-library/Documents/Yamaha%20Yfm%20660%20Grizzly%202002%202006%20Atv%20Service%20Repair%20Manual%20Improved.pdf>

Table of Contents Toro 38035 Service Manual

1. Understanding the eBook Toro 38035 Service Manual
 - The Rise of Digital Reading Toro 38035 Service Manual
 - Advantages of eBooks Over Traditional Books
2. Identifying Toro 38035 Service Manual
 - Exploring Different Genres
 - Considering Fiction vs. Non-Fiction
 - Determining Your Reading Goals
3. Choosing the Right eBook Platform
 - Popular eBook Platforms
 - Features to Look for in an Toro 38035 Service Manual
 - User-Friendly Interface
4. Exploring eBook Recommendations from Toro 38035 Service Manual
 - Personalized Recommendations
 - Toro 38035 Service Manual User Reviews and Ratings
 - Toro 38035 Service Manual and Bestseller Lists
5. Accessing Toro 38035 Service Manual Free and Paid eBooks
 - Toro 38035 Service Manual Public Domain eBooks
 - Toro 38035 Service Manual eBook Subscription Services
 - Toro 38035 Service Manual Budget-Friendly Options

6. Navigating Toro 38035 Service Manual eBook Formats
 - ePub, PDF, MOBI, and More
 - Toro 38035 Service Manual Compatibility with Devices
 - Toro 38035 Service Manual Enhanced eBook Features
7. Enhancing Your Reading Experience
 - Adjustable Fonts and Text Sizes of Toro 38035 Service Manual
 - Highlighting and Note-Taking Toro 38035 Service Manual
 - Interactive Elements Toro 38035 Service Manual
8. Staying Engaged with Toro 38035 Service Manual
 - Joining Online Reading Communities
 - Participating in Virtual Book Clubs
 - Following Authors and Publishers Toro 38035 Service Manual
9. Balancing eBooks and Physical Books Toro 38035 Service Manual
 - Benefits of a Digital Library
 - Creating a Diverse Reading Collection Toro 38035 Service Manual
10. Overcoming Reading Challenges
 - Dealing with Digital Eye Strain
 - Minimizing Distractions
 - Managing Screen Time
11. Cultivating a Reading Routine Toro 38035 Service Manual
 - Setting Reading Goals Toro 38035 Service Manual
 - Carving Out Dedicated Reading Time
12. Sourcing Reliable Information of Toro 38035 Service Manual
 - Fact-Checking eBook Content of Toro 38035 Service Manual
 - Distinguishing Credible Sources
13. Promoting Lifelong Learning
 - Utilizing eBooks for Skill Development
 - Exploring Educational eBooks
14. Embracing eBook Trends
 - Integration of Multimedia Elements

- Interactive and Gamified eBooks

Toro 38035 Service Manual Introduction

Toro 38035 Service Manual Offers over 60,000 free eBooks, including many classics that are in the public domain. Open Library: Provides access to over 1 million free eBooks, including classic literature and contemporary works. Toro 38035 Service Manual Offers a vast collection of books, some of which are available for free as PDF downloads, particularly older books in the public domain. Toro 38035 Service Manual : This website hosts a vast collection of scientific articles, books, and textbooks. While it operates in a legal gray area due to copyright issues, its a popular resource for finding various publications. Internet Archive for Toro 38035 Service Manual : Has an extensive collection of digital content, including books, articles, videos, and more. It has a massive library of free downloadable books. Free-eBooks Toro 38035 Service Manual Offers a diverse range of free eBooks across various genres. Toro 38035 Service Manual Focuses mainly on educational books, textbooks, and business books. It offers free PDF downloads for educational purposes. Toro 38035 Service Manual Provides a large selection of free eBooks in different genres, which are available for download in various formats, including PDF. Finding specific Toro 38035 Service Manual, especially related to Toro 38035 Service Manual, might be challenging as theyre often artistic creations rather than practical blueprints. However, you can explore the following steps to search for or create your own Online Searches: Look for websites, forums, or blogs dedicated to Toro 38035 Service Manual, Sometimes enthusiasts share their designs or concepts in PDF format. Books and Magazines Some Toro 38035 Service Manual books or magazines might include. Look for these in online stores or libraries. Remember that while Toro 38035 Service Manual, sharing copyrighted material without permission is not legal. Always ensure youre either creating your own or obtaining them from legitimate sources that allow sharing and downloading. Library Check if your local library offers eBook lending services. Many libraries have digital catalogs where you can borrow Toro 38035 Service Manual eBooks for free, including popular titles. Online Retailers: Websites like Amazon, Google Books, or Apple Books often sell eBooks. Sometimes, authors or publishers offer promotions or free periods for certain books. Authors Website Occasionally, authors provide excerpts or short stories for free on their websites. While this might not be the Toro 38035 Service Manual full book , it can give you a taste of the authors writing style. Subscription Services Platforms like Kindle Unlimited or Scribd offer subscription-based access to a wide range of Toro 38035 Service Manual eBooks, including some popular titles.

FAQs About Toro 38035 Service Manual Books

1. Where can I buy Toro 38035 Service Manual books? Bookstores: Physical bookstores like Barnes & Noble, Waterstones, and independent local stores. Online Retailers: Amazon, Book Depository, and various online bookstores offer a wide range of books in physical and digital formats.
2. What are the different book formats available? Hardcover: Sturdy and durable, usually more expensive. Paperback: Cheaper, lighter, and more portable than hardcovers. E-books: Digital books available for e-readers like Kindle or software like Apple Books, Kindle, and Google Play Books.
3. How do I choose a Toro 38035 Service Manual book to read? Genres: Consider the genre you enjoy (fiction, non-fiction, mystery, sci-fi, etc.). Recommendations: Ask friends, join book clubs, or explore online reviews and recommendations. Author: If you like a particular author, you might enjoy more of their work.
4. How do I take care of Toro 38035 Service Manual books? Storage: Keep them away from direct sunlight and in a dry environment. Handling: Avoid folding pages, use bookmarks, and handle them with clean hands. Cleaning: Gently dust the covers and pages occasionally.
5. Can I borrow books without buying them? Public Libraries: Local libraries offer a wide range of books for borrowing. Book Swaps: Community book exchanges or online platforms where people exchange books.
6. How can I track my reading progress or manage my book collection? Book Tracking Apps: Goodreads, LibraryThing, and Book Catalogue are popular apps for tracking your reading progress and managing book collections. Spreadsheets: You can create your own spreadsheet to track books read, ratings, and other details.
7. What are Toro 38035 Service Manual audiobooks, and where can I find them? Audiobooks: Audio recordings of books, perfect for listening while commuting or multitasking. Platforms: Audible, LibriVox, and Google Play Books offer a wide selection of audiobooks.
8. How do I support authors or the book industry? Buy Books: Purchase books from authors or independent bookstores. Reviews: Leave reviews on platforms like Goodreads or Amazon. Promotion: Share your favorite books on social media or recommend them to friends.
9. Are there book clubs or reading communities I can join? Local Clubs: Check for local book clubs in libraries or community centers. Online Communities: Platforms like Goodreads have virtual book clubs and discussion groups.
10. Can I read Toro 38035 Service Manual books for free? Public Domain Books: Many classic books are available for free as they're in the public domain. Free E-books: Some websites offer free e-books legally, like Project Gutenberg or Open Library.

Find Toro 38035 Service Manual :

[yamaha yfm 660 grizzly 2002 2006 atv service repair manual improved](#)

[yamaha xjr1300 xjr1300l 2002 repair service manual](#)

yamaha xt660 xt660r xt660x 2004 service repair manual

[yamaha yfm66fav grizzly owners manual 2006 model](#)

yamaha yfz450x service manual

yamaha xtz750 super tenere service repair manual

yamaha xs400 service repair manual 1982 onwards

[yamaha ytm 200 repair manual](#)

yamaha xjr1300 complete workshop repair manual 2007 2009

[yamaha wr400f service manual repair 2000 wr400](#)

yamaha yfz350k banshee owners manual 1998

~~[yamaha yzf600r thundercat fzs600 fazer 96 to 03 haynes service & repair manual](#)~~

yamaha yx600 1986 1990 service repair workshop manual

[yamaha x max 250 yp250r scooter service repair manual 2005 onwards](#)

~~[yamaha yz85 complete workshop repair manual 2007 2008](#)~~

Toro 38035 Service Manual :

regards croisa c s l a c conomie frana aise vue p pdf - Jan 08 2023

web regards croisa c s l a c conomie frana aise vue p pdf introduction regards croisa c s l a c conomie frana aise vue p pdf

download only title regards croisa c s l a c conomie frana aise vue p pdf download only black ortax org created date 8 31

2023 7 09 47 pm

pdf en ligne regards croisÃ s l Ã conomie franÃ aise vue - Aug 15 2023

web pdf en ligne regards croisÃ s l Ã conomie franÃ aise vue par les correspondants Ã trangers ebook gratuit pdf admin 3 38

pm best seller book book free book new book

regards croisés l économie française vue par les - Jun 13 2023

web revue de l analyse de pratiques regards croisés n 10 mai 2017 elements bibliographiques textes amis sur l a p p la place

du sujet dans l analyse de pratiques professionnelles le sujet de langage 516 ko pdf christian alin 971 l ce document se borne

a offrir pour la galice de la fin de l ancien regime c 1725 c 1820

[regards croisÃ s sur l Ã conomie la dÃ couverte](#) - Mar 10 2023

web regards croisÃ s sur l Ã conomie la dÃ couverte citation profile updated 2023 01 07 21 26 51 5 years h index 4 impact factor if 0 01 5 years if 0 data available in this report

[regards croisa c s l a c conomie frana aise vue p pdf free](#) - Sep 04 2022

web regards croisa c s l a c conomie frana aise vue p pdf introduction regards croisa c s l a c conomie frana aise vue p pdf free title regards croisa c s l a c conomie frana aise vue p pdf free api2 igetweb com created date 9 11 2023 6 28 03 pm

[regards croisa c s l a c conomie frana aise vue p ol wise edu](#) - Aug 03 2022

web regards croisa c s l a c conomie frana aise vue p this is likewise one of the factors by obtaining the soft documents of this regards croisa c s l a c conomie frana aise vue p by online you might not require more mature to spend to go to the ebook initiation as capably as search for them in some cases you likewise pull off not discover the

regards croisés english translation linguee - Mar 30 2022

web pro helvetia contribue par différents projets à des regards croisés cambio de mira entre l argentine et la suisse prohelvetia ch prohelvetia ch by means of various projects pro helvetia contributes to an exchange of viewpoints cambio de mira that will take place between argentina and switzerland

regards croisa c s l a c conomie frana aise vue p pdf pdf - Oct 05 2022

web regards croisa c s l a c conomie frana aise vue p pdf if you ally infatuation such a referred regards croisa c s l a c conomie frana aise vue p pdf books that will find the money for you worth get the totally best seller from us currently from several preferred authors if you want to comical books lots of novels

regards croisa c s l a c conomie frana aise vue p - Jul 14 2023

web regards croisa c s l a c conomie frana aise vue p getting the books regards croisa c s l a c conomie frana aise vue p now is not type of challenging means you could not and no one else going past books collection or library or borrowing from your links to open them this is an entirely easy means to specifically get lead by on line

regards croisés translation into english reverso context - Jun 01 2022

web translations in context of regards croisés in french english from reverso context ces regards croisés invitent au respect au partage à l humanité tout simplement translation context grammar check synonyms conjugation

regards croisés l économie française vue par les - Dec 27 2021

web informations et analyses sur lafrigue croisa tumaczenie francuski angielski pons l e s c r a t u r e s d u d o c t e u r f u m a n c h u s r c a l occasion du v saint 2009 accueil croisa traduction franais anglais pons certificats noirs verts et blancs effets crois s et allis wonder nom de code l c liana carolinavitch regards

regards croisa c s l a c conomie frana aise vue p book - Nov 06 2022

web regards croisa c s l a c conomie frana aise vue p yeah reviewing a ebook regards croisa c s l a c conomie frana aise vue p could mount up your near links listings this is just one of the solutions for you to be successful as understood realization does not recommend that you have astounding points

regard croisé translation into english examples french - Apr 30 2022

web translation of regard croisé in english fresh perspective cross perspective cross look comparative analysis blickwechsel nous présentons ici notre questionnement éthique et le regard croisé de médecins et de juristes we present our ethical questioning and fresh perspective of doctors and lawyers aucune exposition n a encore

regards croisés sur traduction anglaise linguee - Feb 26 2022

web programmes les débats contradictoires et les regards croisés sur des sujets controversés uer ch uer ch promote in their programmes the dialectical debat es a nd the confrontation of opinions on controvers ial issues uer ch uer ch quant à la seconde partie de la réunion tous les

regards croisés traduction anglaise linguee - Jan 28 2022

web en handicap international ca c es regards croisés cult ivent les valeurs de l écoute et de l échange chères à l esprit limagrain limagrain com limagrain com t hese opportunities for sharing cultivat e the values of listening and exchanging so dear to the spirit of limagrain

regards croisa c s l a c conomie frana aise vue p full pdf - Jul 02 2022

web 2 regards croisa c s l a c conomie frana aise vue p 2022 11 22 chairman of the world economic forum explains that we have an opportunity to shape the fourth industrial revolution which will fundamentally alter how we live and work schwab argues that this revolution is different in scale scope and complexity from any that have come before

pdf vla ramtech uri - Apr 11 2023

web webo l r p u b l i c a c t s u m m a r y page 2 of 3 by law a claim is any request or demand for money or property that is 1 presented to an officer employee or agent of the state or 2

regards croisa c s l a c conomie frana aise vue p pdf full - Dec 07 2022

web regards croisa c s l a c conomie frana aise vue p pdf introduction regards croisa c s l a c conomie frana aise vue p pdf full pdf title regards croisa c s l a c conomie frana aise vue p pdf full pdf

regards croisés l économie française vue par les - Feb 09 2023

web d col ge regards crois s capsules vid o eduart l e s c r a t u r e s d u d o c t e u r f u m a n c h u au secours de la licorne selfors suzanne download this is why we offer the ebook archives in this website if you colleague practice such a referred regards croisés l économie française vue par les correspondants étrangers by lysiane

regards croisa c s l a c conomie frana aise vue p pdf - May 12 2023

web regards croisa c s l a c conomie frana ise vue p downloaded from design bluesquare org by guest jessie faulkner
freedom in the world 2008 cambridge university press traducción parcial de la introducción en la actualidad la evaluación de
la investigaciones es una cuestión que se está replanteando en todo el mundo

iso iec 17025 general requirements for the competence of - Dec 08 2022

web iso iec 17025 general requirements for the competence of testing and calibration laboratories is the international
reference for testing and calibration laboratories wanting to demonstrate their capacity to deliver reliable results
nvlap construction materials testing nist - Nov 07 2022

web the 2020 edition incorporates changes resulting from the release of the 2017 edition of iso iec 17025 general
requirements for the competence of testing and calibration laboratories and nist handbook 150 as well as editorial
improvements the 2020 edition of nist handbook 150 5 supersedes and replaces the 2005 edition

iso iec 17025 assessment worksheet self assessment - Jun 14 2023

web iso iec 17025 assessment worksheet self assessment ap5 0 3 1 issue 1 december 2021 page 1 of 36 public this self
assessment worksheet may be used in preparation for an assessment it does not need to be returned to nata 4 general
requirements 4 1 impartiality clause no outcome of discussions with staff

assessment readiness review checklist iso iec 17025 2017 - Sep 05 2022

web lf 116 17025 2017 revised 3 18 page 1 of 3 please complete this checklist and attach the requested documents to insert
apa email and assessor email no later than 30 days prior to the start of your assessment or by indicate date here failure to
submit these required documents may result in the cancellation of your assessment

iso iec 17025 2017 en general requirements for the - Mar 11 2023

web this document was prepared by the iso committee on conformity assessment casco and circulated for voting to the
national bodies of both iso and iec and was approved by both organizations this third edition cancels and replaces the second
edition iso iec 17025 2005 which has been technically revised

assessor checklist general criteria iso iec 17025 - Jan 09 2023

web assessor checklist general criteria iso iec 17025 implementation of iso iec 17025 and iso guide 34 requirements jan 18
2020 summary of iso iec 17025 may 02 2021 ukas guidance on the application of iso iec 17025 mar 12 2022 iso iec 17025
application document supplementary requirements for accreditation in the field of

assessor checklist general criteria iso iec 17025 scribd - Jun 02 2022

web assessor checklist general criteria iso iec 17025 the following pages present a summary of the criteria from iso iec
17025 1999 which is the basis for the qai general requirements for accreditation of laboratories in a checklist format

checklist for assessor s pack iso iec 17025 mauritas - Feb 10 2023

web requirements iso iec 17025 f3 24 assessment of technical requirements iso iec 17025 f3 25 vertical assessment iso iec 17025 f3 26 witnessing f3 04 if no tl in the team recommendation for technical signatory f3 05 if applicable non conformity form f3 07 recommendation report f3 09

iso 17025 checklist nabl accreditation audit checklst - Aug 04 2022

web iso iec 17025 accreditation is globally used iso standard in calibration and testing laboratories the iso 17025 2017 audit checklist is document required to verify laboratory accreditation system while iso iec 17025 2017 certification in testing and 23 item checklist for iso17025 audit download isobudgets - Feb 27 2022

web preparing for an iso17025 accreditation assessment is stressful especially if it is your first assessment to relieve your stress i have prepared this guide to teach you what items and records assessors routinely ask for and review be prepared for your iso iec 17025 audit get the checklist right now hello i m rick hogan prepare

iso iec 17025 internal audit checklist isobudgets - Jan 29 2022

web iso iec 17025 internal audit checklist 39 easily perform internal audits with the iso iec 17025 2017 internal audit checklist this must have 22 page pdf checklist is similar to assessor checklists shows you when a procedure or objective evidence is needed highlights the most common deficiencies

testing calibration laboratory assessor iso iec 17025 - Jul 03 2022

web iso iec 17025 2017 specifies the general requirements for the competence impartiality and consistent operation of laboratories this standard is applicable to all organizations performing laboratory activities regardless of the number of personnel

national institute of standards and technology - Apr 12 2023

web jun 13 2018 checklist iso iec 17025 2017 electromagnetic compatibility telecommunications instructions to the assessor criteria for accreditation based on iso iec 17025 2017 which are addressed in the nvlap general criteria checklist requirement compliance ok x or c management system reference objective

iso iec 17025 accreditation documents anab - Mar 31 2022

web defines accreditation requirements for iso iec 17025 laboratories non forensic to be used in conjunction with ma 2100 additional supplemental program specific requirements may apply ar 2250 iso iec 17025 testing laboratories ar 2251 iso iec 17025 calibration laboratories ar 2257 iso iec 17025 sampling organizations

pecb certified iso iec 17025 lead assessor - Oct 06 2022

web main objective to ensure that the iso iec 17025 lead assessor candidate can understand interpret and illustrate the requirements of the iso iec 17025 to assess a quality management system for testing and calibration activities

3 financial management and resources amazon web services - May 01 2022

web la sf06 assessment checklist for iso iec 17025 2017 issue no 03effective date 14 may 2021page 1 of 28 introduction purpose general requirements 4 1 impartiality 4 1 1 laboratory activities shall be undertaken impartiality and structured and managed to safeguard impartiality

on site assessment checklists nist - Aug 16 2023

web feb 4 2010 checklist number program revision date file format nvlap general criteria checklist iso iec 17025 2017 contact nvlap to obtain this checklist 2020 08 10 nist hb 150 1 checklist energy efficient lighting products 2021 07 12 word nist hb 150 2 checklist iso iec 17025 2017 calibration laboratories 2019 09 20 word

assessor checklist general criteria iso iec 17025 download - Dec 28 2021

web 4 assessor checklist general criteria iso iec 17025 2020 07 25 researchers can use it for quick access to the background current trends and most important references regarding a certain topic the handbook consists of two volumes volume one covers the basic principles and applications of software engineering and knowledge engineering volume

on site assessment forms nist - Jul 15 2023

web sep 23 2010 on site assessment forms file format revision date nvlap general criteria checklist iso iec 17025 2017 contact nvlap to obtain this checklist on site signature sheet with narrative full iso iec 17025 form word 2022 07 20 abbreviated form word 2022 07 20 on site assessment summary word 2022 07 20 test

free iso 17025 checklist pdf safetyculture - May 13 2023

web aug 15 2023 an iso 17025 2017 checklist is a tool used by laboratory managers or metrologists to determine if a laboratory meets the required competencies for testing and calibration set by the iso 17025 2017 standard it contains the 5 main sections of the standard s requirements general structural resource process and management

free manual king ky 92 manual download only archive imba - Dec 27 2022

web download free manual king ky 92 manual pdf the writers of free manual king ky 92 manual have made all reasonable attempts to offer latest and precise information and facts for the readers of this publication

free manual king ky 92 manual john william leonard 2023 - May 20 2022

web we allow free manual king ky 92 manual and numerous book collections from fictions to scientific research in any way in the course of them is this free manual king ky 92 manual that can be your partner onsite wastewater treatment systems manual 2002 this manual contains overview information on treatment technologies

[free manual king ky 92 manual copy stage gapinc](#) - Sep 23 2022

web free manual king ky 92 manual downloaded from stage gapinc com by guest yates erickson the publishers weekly monthly catalog of united states government publicationsmonthly catalogue united states public documentsbacteriological analytical manualalphabetical finding list of the free public library of jersey city new jersey

bendix king ky92 vhf comm trans 1988 installation manual - Jan 28 2023

web bendix king ky92 vhf comm trans 1988 installation manual part 006 0165 03 avionics manuals king king ky series kxp series part no 006 0165 03 sku 790 r condition code r product code 10866 790 vp installation manual available media download cd dvd usb flash drive quantity

king ky 92 com service manual g s plane stuff - Mar 30 2023

web this item is king ky 92 com service manual includes theory maintenance illustrated parts lists we answer questions and will provide many detailed photos email us altimeters charter net or altimeters att net the items are as they come from the closed airplane stores we acquire

free manual king ky 92 manual orientation sutd edu sg - Jun 20 2022

web repair kit for reese revolution 5th wheel king pin kentucky golfweek amateur tour toyota cars parts and spares for old toyotas king of the bluegrass bendixking ky 96a maintenance manual pdf download rare rides the 1992 plymouth laser a manual turbo all december 12th 2017 the least common of the laser eclipse and

ky 96a ky 97a hangar 603 - Jun 01 2023

web installation manual ky 96a ky 97a vhf communicationtransceiver manual number 006 00674 0004 revision 4 april 2003 warning the enclosed technical data is eligible for export under license designation nlr and is to be used solely by the individual organization to whom it is

free manual king ky 92 manual full pdf testapi mobal - Oct 25 2022

web free manual king ky 92 manual downloaded from testapi mobal com by guest kidd anastasia journal of the national education association wayne state university press vols for 19 include classified business directory of the entire state manual monthly catalog of united states government publicationsmonthly catalogue united states public

free manual king ky 92 manual pdf archive imba - Jul 22 2022

web labor realtions reference manual legal looseleafs in print list of active and corresponding members of the national educational association of the united states for the year beginning july 1 1902 and ending june 30 1903 free manual king ky 92 manual downloaded from archive imba com by guest ezra melendez today s education

free manual king ky 92 manual archive imba - Nov 25 2022

web free manual king ky 92 manual aurora winter festival bendix king ky 92 vhf communication transceiver bendixking ky 96a maintenance manual pdf download manualslib king ky 92 com install manual g s plane stuff bendixking user manuals download manualslib bendixking ka 92 seaerospace com free

king air f90 maintenance manual inspection dokumen tips - Feb 14 2022

web king air f90 maintenance manual inspection the beechcraft king air family is part of a line of twin and a t tail and

entered service in 1974 military king air king airs

[fcc id search](#) - Aug 03 2023

web the ky 92 is mounted rigidly in the aircraft panel select a position in the panel that is not too close to any high external heat source remember to allow adequate space for installation of cables and connectors avoid sharp bends and placing the cables too near the aircraft control cables refer to figure 2 3 for the ky 92 mounting dimensions

maintenance avionics installation manual king ky92 euroga - Jul 02 2023

web apr 12 2019 anyone got the installation manual for the king ky92 need the wiring schematics gafflyer norway

wigglyamp 12 apr 19 21 47 02 i can e mail you a copy on monday please pm your contact details wigglyamp avionics geek somewhere remote in devon uk gafflyer 14 apr 19 22 00 03

[bendix king ky92 vhf commtrans 1988 installation manual](#) - Feb 26 2023

web bendix king ky92 vhf commtrans 1988 installation manual essco aircraft home bendix king ky92 vhf commtrans 1988 installation manual 006 0165 03 click to expand

free manual king ky 92 manual copy wiki lwn - Apr 18 2022

web free manual king ky 92 manual in an electronic era where connections and knowledge reign supreme the enchanting power of language has be much more apparent than ever

[fcc id search](#) - Sep 04 2023

web bendix king ky communications transceiver section i general information 1 1 introduction this manual contains information relative to the physical bendix king ky 92 1 2 description of equipment mechanical and electrical characteristics of the 720 or 760 channel crystal controlled the bendix king

dokumen tips king air f90 maintenance manual king air - Aug 23 2022

web dokumen tips king air f90 maintenance manual king air series f90200b200 maintenance manual read online for free manual de mantenimiento manual de mantenimiento open navigation menu close suggestions search search en change language close menu language english selected español português

manual 1 manual ky 92 honeywell international inc fcc id - Oct 05 2023

web manual for ky 92 made by honeywell international inc honeywell international inc fcc id io blog search manual 1 manual ky 92 honeywell international inc ky 92 honeywell international inc anatel 01337 10 03312 operating details download document name manual 1 document type manual device

[bendixking ky 96a maintenance manual pdf download manualslib](#) - Apr 30 2023

web view and download bendixking ky 96a maintenance manual online vhf communication transceiver ky 96a transceiver pdf manual download

super king air 200 b200 flying training manual pdf free download - Mar 18 2022

web posted on january 4 2017 by aanand keerthy 04jan download the pilots training manual of super king air 200 b200 from here as a pdf this is not the authorised poh from the manufacturer but a training manual for trainee pilots click here to download be200