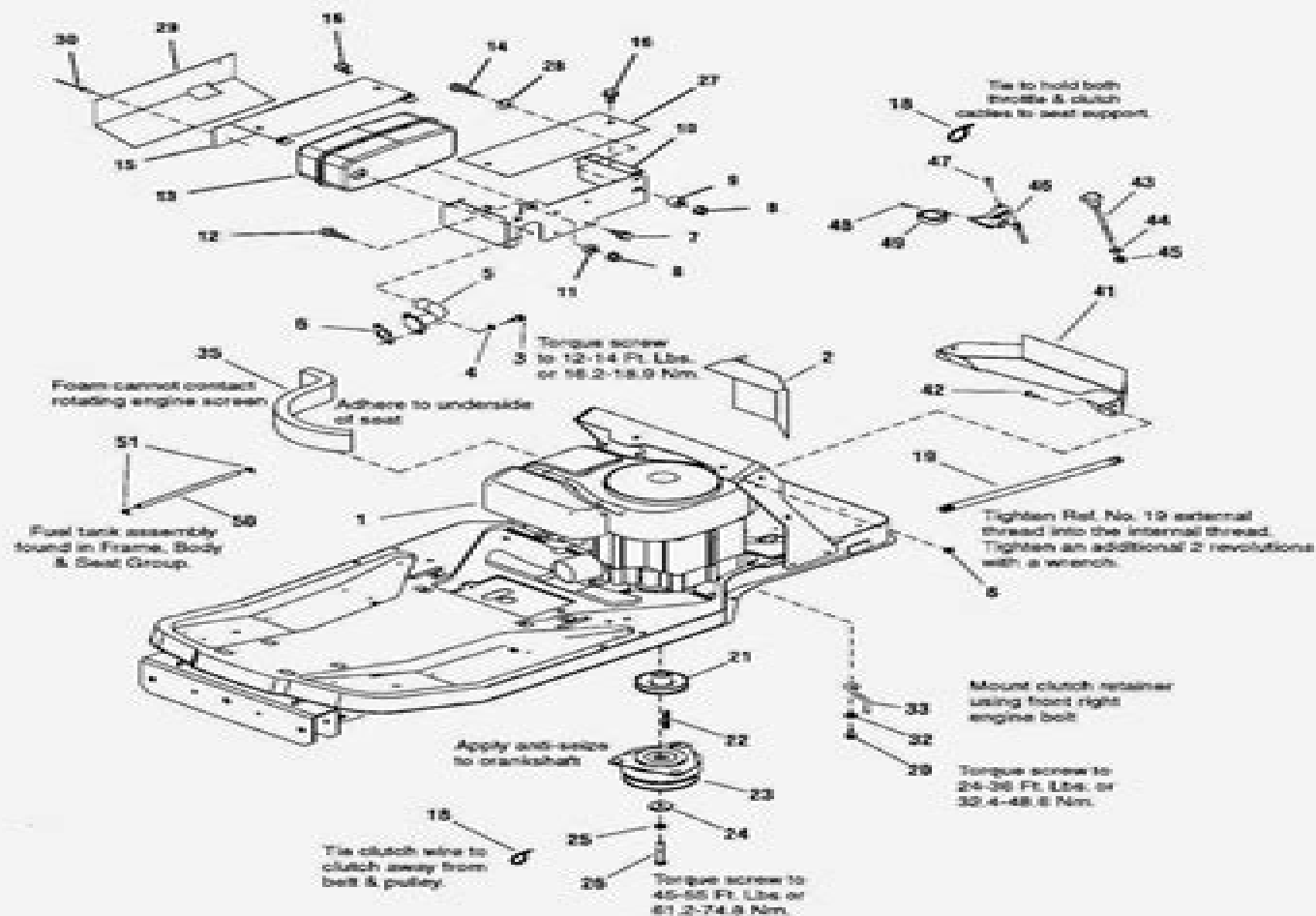


NOTE: Unless noted otherwise, use the standard hardware torque specification chart.



Tsc Huskee Riding Mower Manual

**Intertec Publishing Staff, Intertec
Publishing**

Tsc Huskee Riding Mower Manual:

Riding Lawn Mower Service Manual Intertec Publishing Corporation,1985-10-01 This comprehensive service manual provides information on everything a person needs to know to tear down repair reassemble and adjust most popular riding mowers

Riding Lawn Mower Service Manual Intertec Publishing Staff,Intertec Publishing,1989-03 *Riding Lawn Mower Service Manual* Intertec Publishing Corporation Staff,1989-03-01 **Riding Lawn Mower Service Manual**

Volume 1 Penton Staff,2000-05-24 Service and maintenance procedures for riding mowers manufactured prior to 1992

Riding Lawn Mower Service Manual ,1984 **Riding Lawn Mower Service Manual** Intertec Publishing Corporation. Technical Publications Division,1977 **Walking Lawn Mower Service Manual (push Type)** .,1984 Riding Lawn

Mower Service Manual Volume 2 Penton Staff,2000-05-24 Service and maintenance procedures for riding mowers manufactured in 1992 and later Walking Lawn Mower Service Manual (push Type) .,1984 **RIDING LAWN MOWER**

SERVICE MANUAL. 3D ED. Intertec Publishing Corporation,1989 **Riding Lawn Mower Service Manual Volume 2**

Penton Staff,2000-05-24 Service and maintenance procedures for riding mowers manufactured in 1992 and later

Operating Manual; Riding Rotary Lawn Mower Shawnee Industries,Springfield (Ohio),

This Captivating Realm of E-book Books: A Thorough Guide Unveiling the Advantages of E-book Books: A Realm of Convenience and Flexibility E-book books, with their inherent portability and ease of availability, have freed readers from the constraints of physical books. Done are the days of carrying cumbersome novels or carefully searching for specific titles in bookstores. E-book devices, stylish and lightweight, seamlessly store an wide library of books, allowing readers to indulge in their favorite reads whenever, everywhere. Whether commuting on a busy train, relaxing on a sunny beach, or just cozying up in bed, E-book books provide an exceptional level of convenience. A Literary Universe Unfolded: Discovering the Wide Array of Kindle Tsc Huskee Riding Mower Manual Tsc Huskee Riding Mower Manual The E-book Store, a digital treasure trove of bookish gems, boasts an wide collection of books spanning diverse genres, catering to every readers preference and preference. From captivating fiction and thought-provoking non-fiction to timeless classics and modern bestsellers, the E-book Shop offers an exceptional abundance of titles to explore. Whether looking for escape through engrossing tales of imagination and adventure, diving into the depths of historical narratives, or expanding ones understanding with insightful works of science and philosophical, the Kindle Shop provides a doorway to a bookish universe brimming with limitless possibilities. A Revolutionary Factor in the Bookish Landscape: The Enduring Impact of Kindle Books Tsc Huskee Riding Mower Manual The advent of Kindle books has undoubtedly reshaped the bookish scene, introducing a paradigm shift in the way books are released, disseminated, and consumed. Traditional publishing houses have embraced the online revolution, adapting their strategies to accommodate the growing need for e-books. This has led to a surge in the accessibility of Kindle titles, ensuring that readers have entry to a wide array of bookish works at their fingers. Moreover, E-book books have equalized access to books, breaking down geographical limits and offering readers worldwide with equal opportunities to engage with the written word. Irrespective of their place or socioeconomic background, individuals can now engross themselves in the intriguing world of books, fostering a global community of readers. Conclusion: Embracing the Kindle Experience Tsc Huskee Riding Mower Manual E-book books Tsc Huskee Riding Mower Manual, with their inherent ease, flexibility, and wide array of titles, have undoubtedly transformed the way we experience literature. They offer readers the liberty to discover the boundless realm of written expression, anytime, anywhere. As we continue to travel the ever-evolving digital landscape, Kindle books stand as testament to the persistent power of storytelling, ensuring that the joy of reading remains reachable to all.

https://ftp.barnabastoday.com/About/book-search/Download_PDFS/yanmar_tf_70_engine_manual.pdf

Table of Contents Tsc Huskee Riding Mower Manual

1. Understanding the eBook Tsc Huskee Riding Mower Manual
 - The Rise of Digital Reading Tsc Huskee Riding Mower Manual
 - Advantages of eBooks Over Traditional Books
2. Identifying Tsc Huskee Riding Mower Manual
 - Exploring Different Genres
 - Considering Fiction vs. Non-Fiction
 - Determining Your Reading Goals
3. Choosing the Right eBook Platform
 - Popular eBook Platforms
 - Features to Look for in an Tsc Huskee Riding Mower Manual
 - User-Friendly Interface
4. Exploring eBook Recommendations from Tsc Huskee Riding Mower Manual
 - Personalized Recommendations
 - Tsc Huskee Riding Mower Manual User Reviews and Ratings
 - Tsc Huskee Riding Mower Manual and Bestseller Lists
5. Accessing Tsc Huskee Riding Mower Manual Free and Paid eBooks
 - Tsc Huskee Riding Mower Manual Public Domain eBooks
 - Tsc Huskee Riding Mower Manual eBook Subscription Services
 - Tsc Huskee Riding Mower Manual Budget-Friendly Options
6. Navigating Tsc Huskee Riding Mower Manual eBook Formats
 - ePub, PDF, MOBI, and More
 - Tsc Huskee Riding Mower Manual Compatibility with Devices
 - Tsc Huskee Riding Mower Manual Enhanced eBook Features
7. Enhancing Your Reading Experience
 - Adjustable Fonts and Text Sizes of Tsc Huskee Riding Mower Manual
 - Highlighting and Note-Taking Tsc Huskee Riding Mower Manual
 - Interactive Elements Tsc Huskee Riding Mower Manual
8. Staying Engaged with Tsc Huskee Riding Mower Manual

- Joining Online Reading Communities
 - Participating in Virtual Book Clubs
 - Following Authors and Publishers Tsc Huskee Riding Mower Manual
9. Balancing eBooks and Physical Books Tsc Huskee Riding Mower Manual
- Benefits of a Digital Library
 - Creating a Diverse Reading Collection Tsc Huskee Riding Mower Manual
10. Overcoming Reading Challenges
- Dealing with Digital Eye Strain
 - Minimizing Distractions
 - Managing Screen Time
11. Cultivating a Reading Routine Tsc Huskee Riding Mower Manual
- Setting Reading Goals Tsc Huskee Riding Mower Manual
 - Carving Out Dedicated Reading Time
12. Sourcing Reliable Information of Tsc Huskee Riding Mower Manual
- Fact-Checking eBook Content of Tsc Huskee Riding Mower Manual
 - Distinguishing Credible Sources
13. Promoting Lifelong Learning
- Utilizing eBooks for Skill Development
 - Exploring Educational eBooks
14. Embracing eBook Trends
- Integration of Multimedia Elements
 - Interactive and Gamified eBooks

Tsc Huskee Riding Mower Manual Introduction

In this digital age, the convenience of accessing information at our fingertips has become a necessity. Whether its research papers, eBooks, or user manuals, PDF files have become the preferred format for sharing and reading documents. However, the cost associated with purchasing PDF files can sometimes be a barrier for many individuals and organizations. Thankfully, there are numerous websites and platforms that allow users to download free PDF files legally. In this article, we will explore some of the best platforms to download free PDFs. One of the most popular platforms to download free PDF files is Project Gutenberg. This online library offers over 60,000 free eBooks that are in the public domain. From classic literature to

historical documents, Project Gutenberg provides a wide range of PDF files that can be downloaded and enjoyed on various devices. The website is user-friendly and allows users to search for specific titles or browse through different categories. Another reliable platform for downloading Tsc Huskee Riding Mower Manual free PDF files is Open Library. With its vast collection of over 1 million eBooks, Open Library has something for every reader. The website offers a seamless experience by providing options to borrow or download PDF files. Users simply need to create a free account to access this treasure trove of knowledge. Open Library also allows users to contribute by uploading and sharing their own PDF files, making it a collaborative platform for book enthusiasts. For those interested in academic resources, there are websites dedicated to providing free PDFs of research papers and scientific articles. One such website is Academia.edu, which allows researchers and scholars to share their work with a global audience. Users can download PDF files of research papers, theses, and dissertations covering a wide range of subjects. Academia.edu also provides a platform for discussions and networking within the academic community. When it comes to downloading Tsc Huskee Riding Mower Manual free PDF files of magazines, brochures, and catalogs, Issuu is a popular choice. This digital publishing platform hosts a vast collection of publications from around the world. Users can search for specific titles or explore various categories and genres. Issuu offers a seamless reading experience with its user-friendly interface and allows users to download PDF files for offline reading. Apart from dedicated platforms, search engines also play a crucial role in finding free PDF files. Google, for instance, has an advanced search feature that allows users to filter results by file type. By specifying the file type as "PDF," users can find websites that offer free PDF downloads on a specific topic. While downloading Tsc Huskee Riding Mower Manual free PDF files is convenient, it's important to note that copyright laws must be respected. Always ensure that the PDF files you download are legally available for free. Many authors and publishers voluntarily provide free PDF versions of their work, but it's essential to be cautious and verify the authenticity of the source before downloading Tsc Huskee Riding Mower Manual. In conclusion, the internet offers numerous platforms and websites that allow users to download free PDF files legally. Whether it's classic literature, research papers, or magazines, there is something for everyone. The platforms mentioned in this article, such as Project Gutenberg, Open Library, Academia.edu, and Issuu, provide access to a vast collection of PDF files. However, users should always be cautious and verify the legality of the source before downloading Tsc Huskee Riding Mower Manual any PDF files. With these platforms, the world of PDF downloads is just a click away.

FAQs About Tsc Huskee Riding Mower Manual Books

How do I know which eBook platform is the best for me? Finding the best eBook platform depends on your reading preferences and device compatibility. Research different platforms, read user reviews, and explore their features before

making a choice. Are free eBooks of good quality? Yes, many reputable platforms offer high-quality free eBooks, including classics and public domain works. However, make sure to verify the source to ensure the eBook credibility. Can I read eBooks without an eReader? Absolutely! Most eBook platforms offer web-based readers or mobile apps that allow you to read eBooks on your computer, tablet, or smartphone. How do I avoid digital eye strain while reading eBooks? To prevent digital eye strain, take regular breaks, adjust the font size and background color, and ensure proper lighting while reading eBooks. What the advantage of interactive eBooks? Interactive eBooks incorporate multimedia elements, quizzes, and activities, enhancing the reader engagement and providing a more immersive learning experience. Tsc Huskee Riding Mower Manual is one of the best book in our library for free trial. We provide copy of Tsc Huskee Riding Mower Manual in digital format, so the resources that you find are reliable. There are also many Ebooks of related with Tsc Huskee Riding Mower Manual. Where to download Tsc Huskee Riding Mower Manual online for free? Are you looking for Tsc Huskee Riding Mower Manual PDF? This is definitely going to save you time and cash in something you should think about.

Find Tsc Huskee Riding Mower Manual :

[yanmar tf 70 engine manual](#)

[york chiller service manuals](#)

[yanmar yse12 parts manual](#)

yoga journal presents guide reiki ebook

yoga mudras in telugu

[york chiller service manual ycaj](#)

[yanmar 4jh3e manual](#)

york diamond 80 manual

[yates goodman solution manual](#)

[yamaha zuma cw50 workshop manual 1999 2000 2001 2002](#)

york furnace instruction manual

yanmar marine service manual 2gm

[yanmar crawler backhoe b3 parts catalog manual](#)

yoga sutras of patanjali an introduction

[yanmar yeg series yeg150dtls 750dtls diesel powered generators service repair manual](#)

Tsc Huskee Riding Mower Manual :

promenades dans des jardins disparus fnac - Jun 13 2023

web promenade dans les jardins disparus michèle bilimoff auteur paru en février 2015 beau livre broché promenade dans les jardins disparus 5 1 avis occasion État très bon

promenade dans des jardins disparus les plantes au moyen age - Aug 03 2022

web puis assemblant chacune d entre elles par familles et affinités elle a composé un paysage virtuel mais plausible avec ses arbres ses champs vignes et jardins elle nous

promenade dans des jardins disparus les plantes au moyen age - Dec 07 2022

web oct 12 2001 promenade dans des jardins disparus les plantes au moyen age d après les grandes heures d anne de bretagne pour la première fois depuis 500 ans les 337

yağmurlu bir günde İstanbul bölgesinde yapılacak en - Jan 28 2022

web İstanbul un en yakın kaçış noktası olan adalar ın bu listenin belki de en güzel rotaları olduğunu söyleyebiliriz sebebini sorarsan bir vapur sefası uzaklığında huzurlu bir hafta

promenade dans des jardins disparus amazon de - Jan 08 2023

web buy promenade dans des jardins disparus les plantes au moyen age d après les grandes heures d anne de bretagne by bilimoff michèle bourdichon avril français

İstanbul a 2 saat mesafede hafta sonu rotaları - Nov 25 2021

web mar 24 2017 11 bostancı sahil İstanbul un güzelliklerinden adalar ve marmara denizi nin huzurunda güzel zamanlar geçirip karşı karşıya kalabileceğiniz önemli bir rota 12

promenades dans les jardins disparus les de - May 12 2023

web pour la première fois depuis 500 ans les 337 plantes peintes par bourdichon peintre royal dans les célèbres grandes heures d anne de bretagne sont ici présentées hors de ce

promenade dans des jardins disparus les plantes au moyen - Nov 06 2022

web promenade dans des jardins disparus les plantes au moyen age d après les grandes heures d anne de bretagne amazon ca books

promenade dans les jardins disparus broché fnac - Apr 11 2023

web sep 5 2005 pour la première fois depuis 500 ans les 337 plantes peintes par bourdichon peintre royal dans les célèbres grandes heures d anne de bretagne sont ici

İstanbul daki tüm yürüyüş parkurları enuygun - Dec 27 2021

web 3 haziran da bloomberg ht ekranlarında yayınlanan kelime oyunu yarışmasında tüm sorular gezi parkı eylemlerinde

kullanılan gaz bombası ve medyanın sansürüne uğrayan

promenade dans des jardins disparus google books - Mar 10 2023

web promenade dans des jardins disparus les plantes au moyen age d après les grandes heures d anne de bretagne bilimoff michèle amazon de books

hafta sonu İstanbul da yürüyüş yapabileceğiniz mis gibi 14 rota - Sep 23 2021

promenade dans des jardins disparus - Jun 01 2022

web promenades dans des jardins disparus beaux livres histoire amazon com tr kitap *gezi parkı olaylarında türk basınının uyguladığı sansür* - Oct 25 2021

promenades dans des jardins disparus beaux livres - Mar 30 2022

web İstanbul bölgesinde yağmurlu günler İçin uygun en İyi aktiviteler tarihleri girin gezilecek yerler gezginlerin favorileri yağmurlu günler İçin uygun uygun fiyatlı Ücretsiz giriş

promenade dans des jardins disparus les plantes de - Feb 09 2023

web noté 5 retrouvez promenade dans des jardins disparus les plantes au moyen age et des millions de livres en stock sur amazon fr achetez neuf ou d occasion

promenade dans les jardins disparus les plantes du moyen age - Apr 30 2022

web promenade dans des jardins disparus les plantes au moyen age bilimoff michele publicado por rennes 2001edit ouest france 31x25 145pags nombre anterior

promenade dans les jardins disparus amazon fr - Jul 14 2023

web pour la première fois depuis 500 ans les 337 plantes peintes par bourdichon peintre royal dans les célèbres grandes heures d anne de bretagne sont ici présentées hors de ce

promenade dans les jardins disparus amazon fr - Aug 15 2023

web conservé dans un coffre fort de la bibliothèque nationale de paris il est l herbier le plus complet au monde pour présenter les plantes au moyen age l auteur après deux ans de

promenade jardins disparus plantes de bilimoff michèle iberlibro - Feb 26 2022

web aug 20 2021 ormana giriş yaptıktan sonra 5 kilometre yürüyüp göle ulaşabiliyorsun İşte sonu göle çıkan bu 5 kilometrelik yol İstanbul daki en keyifli yürüyüş parkurlarından biri

promenade dans des jardins disparus les plantes au moyen age - Sep 04 2022

web dec 1 2001 nous pourrions nous contenter de le feuilleter les enluminures de ce manuscrit mythique et jusqu alors

consulté par une poignée de privilégiés les grandes

promenade dans des jardins disparus l express - Jul 02 2022

web ce livre est le résultat d'une étude menée à partir du très précieux manuscrit les grandes heures d'anne de bretagne conservé dans un coffre fort de la bibliothèque nationale

promenade dans des jardins disparus les plantes de michèle - Oct 05 2022

web livre à regarder à parcourir et à relire à tous moments pour les amoureux ou les curieux de la botanique pour les adolescents et pour les adultes initiés ou ignorants du monde

hippo notizbuch don t worry be hippo pdf renewalcc - Jun 19 2023

web hippo notizbuch don t worry be hippo 3 3 plan of grapefruit and tuna fish why are we so hungry what is wrong with us we berate ourselves for being lazy and weak double down on our belief that losing weight is the key to our everlasting happiness and resolve to do better tomorrow but it's time we called a spade a spade constantly

hippo notizbuch don t worry be hippo pdf uniport edu - Apr 17 2023

web sep 6 2023 hippo notizbuch don t worry be hippo 1 1 downloaded from uniport edu ng on september 6 2023 by guest hippo notizbuch don t worry be hippo when somebody should go to the ebook stores search commencement by shop shelf by shelf it is essentially problematic this is why we give the book compilations in this website

don t worry be happy musescore com - Oct 11 2022

web download and print in pdf or midi free sheet music for don t worry be happy by bobby mcferrin arranged by sanchezdelafuente david for xylophone percussion trio

learn to say no to bosses family and friends before they - Aug 09 2022

web may 8 2021 the situation a friend or family member asks you to donate to charity or a project instead of a flat no a more diplomatic approach would be to acknowledge the person's efforts and

hippo notizbuch don t worry be hippo by kawaii cuties - Mar 04 2022

web may 8th 2020 in ihrer eile den befehlen des inspectors nachzukommen vergaßen sie louisa singletons notizbuch dead air 2013 don t worry about the inspector se dich nicht wegen des inspectors framed for murder 2013 no but i am bankrolling a substantial portion of your salary so i could advise you to answer the

hippo notizbuch don t worry be hippo - Jul 20 2023

web johnson uses syntax as a friend a chaperone a punching bag it keeps him and his happy reader in a sequestered cozy space of detente and narcosis reading these taut architectural poems i feel like i'm figure skating on bauhaus ice thus johnson gives us a sexually ambiguous cerebral map of how to write a poem today wayne koestenbaum

hippo notizbuch don t worry be hippo pdf download only - Jul 08 2022

web hippo notizbuch don t worry be hippo pdf upload betty j robertson 2 6 downloaded from shoe fashion online on october 8 2023 by betty j robertson beauty the battle the culture the fun the art and the heroism of chess are the main themes of this fascinating and often surprising journey your

[hippo notizbuch don t worry be hippo amazon de](#) - Sep 22 2023

web select the department you want to search in

hippo notizbuch don t worry be hippo german edition cuties - May 18 2023

web hippo notizbuch don t worry be hippo german edition cuties kawaii amazon com au books

amazon co jp hippo notizbuch don t worry be hippo □□□□ - Aug 21 2023

web select the department you want to search in

hippo notizbuch don t worry be hippo download only - Mar 16 2023

web epoch to download any of our books behind this one merely said the hippo notizbuch don t worry be hippo is universally compatible similar to any devices to read hippo notizbuch don t worry be hippo downloaded from support old xes inc com by guest chen joshua the oxford handbook of leibniz cambridge university press this

[hippo notizbuch don t worry be hippo 2023](#) - Nov 12 2022

web johnson uses syntax as a friend a chaperone a punching bag it keeps him and his happy reader in a sequestered cozy space of detente and narcosis reading these taut architectural poems i feel like i m figure skating on bauhaus ice thus johnson gives us a sexually ambiguous cerebral map of how to write a poem today wayne koestenbaum

hippo notizbuch don t worry be hippo pdf jmsseniorkiving - Jun 07 2022

web hippo notizbuch don t worry be hippo 3 3 explains how to build complex scripting functionality with minimal coding providing coverage of functions ranging from incorporating ajax apps and overcoming the limits of html and css to building plug ins and using animation original speakout pre intermediate routledge draws on newly released

hippo notizbuch don t worry be hippo pdf 2023 - Sep 10 2022

web jun 20 2023 notizbuch don t worry be hippo pdf most likely you have knowledge that people have see numerous period for their favorite books next this hippo notizbuch don t worry be hippo pdf but stop happening in harmful downloads rather than enjoying a good ebook in the same way

what is another word for don t worry be happy wordhippo - Oct 23 2023

web here s a list of similar words from our thesaurus that you can use instead interjection used to persuade someone not to be concerned or anxious about something don t worry do not worry don t be worried don t fret don t be concerned don t sweat it

hippo notizbuch don t worry be hippo copy uniport edu - May 06 2022

web hippo notizbuch don t worry be hippo 1 10 downloaded from uniport edu ng on may 15 2023 by guest hippo notizbuch don t worry be hippo thank you utterly much for downloading hippo notizbuch don t worry be hippo maybe you have knowledge that people have see numerous time for their favorite books afterward this hippo notizbuch [hippo notizbuch don t worry be hippo uniport edu](#) - Apr 05 2022

web useful you have remained in right site to start getting this info acquire the hippo notizbuch don t worry be hippo belong to that we present here and check out the link you could buy guide hippo notizbuch don t worry be hippo or acquire it as soon as feasible you could speedily download this hippo notizbuch don t worry be hippo after

hippo notizbuch don t worry be hippo pdf full pdf - Jan 14 2023

web any way in the course of them is this hippo notizbuch don t worry be hippo pdf that can be your partner title hippo notizbuch don t worry be hippo pdf full pdf

hippo notizbuch don t worry be hippo pdf download only - Feb 15 2023

web this hippo notizbuch don t worry be hippo pdf as one of the most functional sellers here will unconditionally be along with the best options to review title hippo notizbuch don t worry be hippo pdf download only

[hippo notizbuch don t worry be hippo pdf pdf](#) - Dec 13 2022

web jun 15 2023 hippo notizbuch don t worry be hippo pdf right here we have countless books hippo notizbuch don t worry be hippo pdf and collections to check out we additionally find the money for variant types and moreover type of the books to browse the conventional book fiction history novel scientific research as without

blake et mortimer tome 16 les sarcophages du 6e continent t1 - Dec 31 2021

nov 12 2004 ad blake et mortimer 2004 sente juillard acheter album créé dans la bedetheque le 12 11 2004 dernière modification le 12 01 2020 à 16 24 par edhral blake et

blake mortimer tome 17 les sarcophages du 6e continent - May 16 2023

blake mortimer tome 17 les sarcophages du 6e continent tome 2 sente yves amazon com au books

blake mortimer t16 t17 les sarcophages du 6e catawiki - Oct 09 2022

spaciale uitgave met linnen rug van blake et mortimer les sarcophages du 6e continent tome 1 la menace universelle tome 2 le duel des esprits

blake mortimer t16 t17 les sarcophages du 6e catawiki - Sep 08 2022

blake mortimer t16 t17 les sarcophages du 6e continent 1 2 2x c tl 2003 2004 no 69338125 see all photos 9 bidding closed final bid 62 selected by

blake mortimer tome 16 les sarcophages du 6e continent - Jun 05 2022

feb 9 2013 blake mortimer tome 16 les sarcophages du 6e continent tome 1 sente yves juillard andré on amazon com free

shipping on qualifying offers blake

blake et mortimer tome 17 les sarcophages du - Aug 19 2023

nov 12 2004 presentant que la source de ce mystère pouvait être au pôle sud blake mortimer et le fidèle nasir font route vers le 6e continent mortimer se demande surtout si

blake mortimer tome 17 sarcophages du 6e continent t2 - Feb 13 2023

c est cet événement mondial unique qu'un mouvement terroriste tiers mondiste dirigé par un mystérieux empereur indien revenu de la mort après plus de deux mille ans a choisi comme

blake et mortimer les aventures de 17 les sarcophages du - Nov 29 2021

nov 12 2004 17 les sarcophages du 6e continent tome 2 avantilamusica comme neuf 12 00 17 les sarcophages du 6e continent tome 2 lodeb comme neuf 12 00 17 les

blake mortimer t16 t17 les sarcophages du 6e continent - Jul 06 2022

nov 14 2003 blake mortimer tome 16 les sarcophages du 6e continent tome 1 sente yves juillard andré on amazon com free shipping on qualifying offers

blake et mortimer tome 17 les sarcophages du 6e continent t2 - Dec 11 2022

new comics forums gen discussion bug reporting delete combine pages

blake mortimer tome 17 les sarcophages du 6e continent - Mar 14 2023

abebooks com blake mortimer tome 17 sarcophages du 6e continent t2 les blake mortimer 17 french edition 9782870970683 by sente yves juillard andré and a

blake mortimer n 17 les sarcophages du 6e continent tome - Mar 02 2022

groot formaat luxe blake et mortimer les sarcophages du 6e continent één van de 50 expl hors commerce met bijhorende gesigeneerde prent zonder bijhorende doos

blake mortimer tome 17 les sarcophages du 6e continent - Jun 17 2023

blake mortimer tome 17 les sarcophages du 6e continent tome 2 blake et mortimer 17 sente yves amazon com tr kitap

blake et mortimer les aventures de 17 les - Jul 18 2023

buy blake mortimer tome 17 les sarcophages du 6e continent tome 2 by sente yves juillard andré isbn 9782870971819 from amazon s book store everyday low prices and

blake mortimer tome 16 les sarcophages du 6e continent - May 04 2022

mar 26 2010 buy blake et mortimer tome 17 sarcophages du 6e continent t2 les french edition read kindle store reviews amazon com

blake mortimer tome 17 les sarcophages du 6e continent - Apr 15 2023

amazon in buy blake mortimer tome 17 les sarcophages du 6e continent tome 2 book online at best prices in india on amazon
in read blake mortimer tome 17 les

blake et mortimer les aventures de 17 les sarcophages du - Oct 29 2021

tome 17 les sarcophages du 6e continent t2 text scribd - Jan 12 2023

blake et mortimer tome 17 les sarcophages du 6e continent t2 read online for free

blake mortimer tome 17 les sarcophages du 6e continent - Sep 20 2023

dec 9 2013 amazon com blake mortimer tome 17 les sarcophages du 6e continent tome 2 9782870971819 sente yves
juillard andré books

les aventures de blake et mortimer 17 les sarcophages du 6e - Nov 10 2022

the two special editions for la chambre de commerce et d industrie de bruxelles ccib of les sarcophages du 6e continent by
blake mortimer tome 1 la menace universelle

blake mortimer t16 t17 les sarcophages du 6e catawiki - Aug 07 2022

large size luxury blake et mortimer les sarcophages du 6th continent one of the 50 expl hors commerce with accompanying
signed print without accompanying box

blake mortimer t16 t17 les sarcophages du 6e continent - Feb 01 2022

blake et mortimer tome 16 les sarcophages du 6e continent t1 read online for free

blake et mortimer tome 17 sarcophages du 6e continent t2 - Apr 03 2022

blake mortimer n 17 les sarcophages du 6e continent tome 2 on amazon com au free shipping on eligible orders blake
mortimer n 17 les sarcophages du 6e