



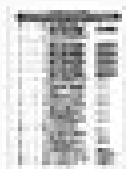
Page Thumbnails



12



13



14

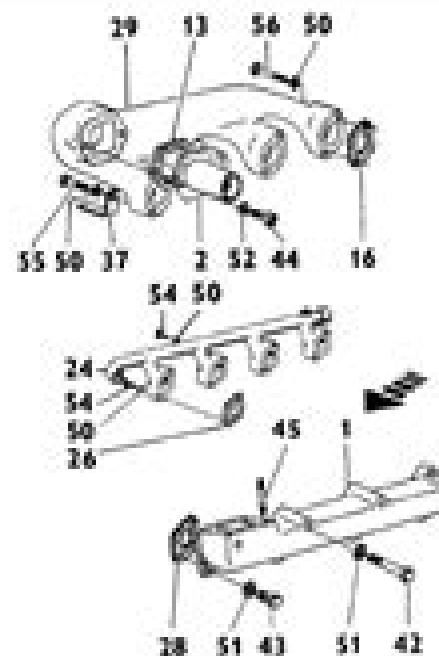


15

MOTOR - MOTOR - ENGINE - MOTOR - MOTOR

005

12



005							005						
1	2	3	4	5	6	7	1	2	3	4	5	6	7

005	12	16	005-0058	Viscote 2 400 - 1740 - O-ring - O-ring - joint O-ring - joint	4	2 005, 004 - 04							
005	11	17	005-0017	Viscote 2 400 - 1740 - rotor - rot - rotor - rotor	10	4 104, 2 005, 004 - 04							
005	11	18	005-0017	Viscote 400 2 400 - 1740 - Anschlagschulter - stopper / gasket - joint stopper / de stopper - joint stopper	4	2 005, 004 - 04							
005	11	19	005-0017	Plaque d'axe viscote 2 400 - 1740 - rotor des Engrenagements - rotor rotor aux - rotor stop - de rotor / rotor - stop de rotor / rotor	4	2 005, 004 - 04							
005	11	20	005-0016	Axone viscote viscote 2 400 - 1740 - rotor - rotor - rotor - rotor - rotor - rotor	10	2 005, 004 - 04							
005	11	21	005-0016	Viscote 400 2 400 - 1740 - rotor - rotor - rotor - rotor - rotor - rotor	4	2 005, 004 - 04							

Zetor 4341 Manual

Thomas Griffiths



Zetor 4341 Manual:

Farmers and Consumers Market Bulletin ,2009

This is likewise one of the factors by obtaining the soft documents of this **Zetor 4341 Manual** by online. You might not require more mature to spend to go to the books establishment as skillfully as search for them. In some cases, you likewise do not discover the publication Zetor 4341 Manual that you are looking for. It will utterly squander the time.

However below, like you visit this web page, it will be correspondingly utterly simple to acquire as skillfully as download guide Zetor 4341 Manual

It will not resign yourself to many become old as we tell before. You can attain it though produce an effect something else at house and even in your workplace. therefore easy! So, are you question? Just exercise just what we allow under as with ease as review **Zetor 4341 Manual** what you next to read!

https://ftp.barnabastoday.com/book/scholarship/Download_PDFS/Tobey%20Boland%20And%20The%20Blackstone%20Canal.pdf

Table of Contents Zetor 4341 Manual

1. Understanding the eBook Zetor 4341 Manual
 - The Rise of Digital Reading Zetor 4341 Manual
 - Advantages of eBooks Over Traditional Books
2. Identifying Zetor 4341 Manual
 - Exploring Different Genres
 - Considering Fiction vs. Non-Fiction
 - Determining Your Reading Goals
3. Choosing the Right eBook Platform
 - Popular eBook Platforms
 - Features to Look for in an Zetor 4341 Manual
 - User-Friendly Interface
4. Exploring eBook Recommendations from Zetor 4341 Manual

-
- Personalized Recommendations
 - Zetor 4341 Manual User Reviews and Ratings
 - Zetor 4341 Manual and Bestseller Lists
5. Accessing Zetor 4341 Manual Free and Paid eBooks
 - Zetor 4341 Manual Public Domain eBooks
 - Zetor 4341 Manual eBook Subscription Services
 - Zetor 4341 Manual Budget-Friendly Options
 6. Navigating Zetor 4341 Manual eBook Formats
 - ePub, PDF, MOBI, and More
 - Zetor 4341 Manual Compatibility with Devices
 - Zetor 4341 Manual Enhanced eBook Features
 7. Enhancing Your Reading Experience
 - Adjustable Fonts and Text Sizes of Zetor 4341 Manual
 - Highlighting and Note-Taking Zetor 4341 Manual
 - Interactive Elements Zetor 4341 Manual
 8. Staying Engaged with Zetor 4341 Manual
 - Joining Online Reading Communities
 - Participating in Virtual Book Clubs
 - Following Authors and Publishers Zetor 4341 Manual
 9. Balancing eBooks and Physical Books Zetor 4341 Manual
 - Benefits of a Digital Library
 - Creating a Diverse Reading Collection Zetor 4341 Manual
 10. Overcoming Reading Challenges
 - Dealing with Digital Eye Strain
 - Minimizing Distractions
 - Managing Screen Time
 11. Cultivating a Reading Routine Zetor 4341 Manual
 - Setting Reading Goals Zetor 4341 Manual
 - Carving Out Dedicated Reading Time
 12. Sourcing Reliable Information of Zetor 4341 Manual

-
- Fact-Checking eBook Content of Zetor 4341 Manual
 - Distinguishing Credible Sources
13. Promoting Lifelong Learning
- Utilizing eBooks for Skill Development
 - Exploring Educational eBooks
14. Embracing eBook Trends
- Integration of Multimedia Elements
 - Interactive and Gamified eBooks

Zetor 4341 Manual Introduction

Zetor 4341 Manual Offers over 60,000 free eBooks, including many classics that are in the public domain. Open Library: Provides access to over 1 million free eBooks, including classic literature and contemporary works. Zetor 4341 Manual Offers a vast collection of books, some of which are available for free as PDF downloads, particularly older books in the public domain. Zetor 4341 Manual : This website hosts a vast collection of scientific articles, books, and textbooks. While it operates in a legal gray area due to copyright issues, its a popular resource for finding various publications. Internet Archive for Zetor 4341 Manual : Has an extensive collection of digital content, including books, articles, videos, and more. It has a massive library of free downloadable books. Free-eBooks Zetor 4341 Manual Offers a diverse range of free eBooks across various genres. Zetor 4341 Manual Focuses mainly on educational books, textbooks, and business books. It offers free PDF downloads for educational purposes. Zetor 4341 Manual Provides a large selection of free eBooks in different genres, which are available for download in various formats, including PDF. Finding specific Zetor 4341 Manual, especially related to Zetor 4341 Manual, might be challenging as theyre often artistic creations rather than practical blueprints. However, you can explore the following steps to search for or create your own Online Searches: Look for websites, forums, or blogs dedicated to Zetor 4341 Manual, Sometimes enthusiasts share their designs or concepts in PDF format. Books and Magazines Some Zetor 4341 Manual books or magazines might include. Look for these in online stores or libraries. Remember that while Zetor 4341 Manual, sharing copyrighted material without permission is not legal. Always ensure youre either creating your own or obtaining them from legitimate sources that allow sharing and downloading. Library Check if your local library offers eBook lending services. Many libraries have digital catalogs where you can borrow Zetor 4341 Manual eBooks for free, including popular titles. Online Retailers: Websites like Amazon, Google Books, or Apple Books often sell eBooks. Sometimes, authors or publishers offer promotions or free periods for certain books. Authors Website Occasionally, authors provide excerpts or short stories for free on their websites. While this might not be the Zetor 4341 Manual full book , it can give you

a taste of the authors writing style. Subscription Services Platforms like Kindle Unlimited or Scribd offer subscription-based access to a wide range of Zetor 4341 Manual eBooks, including some popular titles.

FAQs About Zetor 4341 Manual Books

How do I know which eBook platform is the best for me? Finding the best eBook platform depends on your reading preferences and device compatibility. Research different platforms, read user reviews, and explore their features before making a choice. Are free eBooks of good quality? Yes, many reputable platforms offer high-quality free eBooks, including classics and public domain works. However, make sure to verify the source to ensure the eBook credibility. Can I read eBooks without an eReader? Absolutely! Most eBook platforms offer web-based readers or mobile apps that allow you to read eBooks on your computer, tablet, or smartphone. How do I avoid digital eye strain while reading eBooks? To prevent digital eye strain, take regular breaks, adjust the font size and background color, and ensure proper lighting while reading eBooks. What the advantage of interactive eBooks? Interactive eBooks incorporate multimedia elements, quizzes, and activities, enhancing the reader engagement and providing a more immersive learning experience. Zetor 4341 Manual is one of the best book in our library for free trial. We provide copy of Zetor 4341 Manual in digital format, so the resources that you find are reliable. There are also many Ebooks of related with Zetor 4341 Manual. Where to download Zetor 4341 Manual online for free? Are you looking for Zetor 4341 Manual PDF? This is definitely going to save you time and cash in something you should think about.

Find Zetor 4341 Manual :

tobey boland and the blackstone canal

titanic a survivors account of incredible loss and human triumph

todo el mundo esta en otro lugar poesia

tissue regeneration where nano structure meets biology frontiers in nano biomedical research

toefl post test belajar toefl online

tm155 manual

toledo 8140 manual

titus andronicus folger shakespeare library

tonal harmony chapter quiz answers

tncc canada course manual

toms cruz conga method volume 3 advanced timba modern cuban conga rhythms

toledo 8530 reference manual

tomtom workshop manual

to cut a long story short

~~to my daughter with love from my kitchen recipe keeper~~

Zetor 4341 Manual :

soccerpoemwithrhymescheme - May 12 2023

web a ncte notable poetry book the perfect gift for young soccer fans this picture book features twenty two imaginative poems that capture all aspects of the world s most popular sport

soccer poems that rhyme with 14 lines pdf - Aug 03 2022

web soccer poems that rhyme with 14 lines shakespeare s sonnets may 08 2023 classic books library presents this new beautiful edition of shakespeare s sonnets 1609 featuring a specially commissioned new biography of william shakespeare it is a must for classical poetry enthusiasts and newcomers alike

soccer poems poem searcher - Jul 14 2023

web 48 soccer poems ranked in order of popularity and relevancy at poemsearcher com find thousands of poems categorized into thousands of categories

what are the best poems about football soccer the guardian - Feb 09 2023

web jul 8 2020 my own debut collection way more than luck contains a series of poems exploring the legends and myths of liverpool fc dave kirby has also written many poems about liverpool and once

what is a rhyme scheme bbc bitesize - Dec 07 2022

web what is a rhyme scheme you can work out the rhyme scheme of a poem by labelling the words that rhyme with each other it will help you see the pattern of the poem for example if a poem s first

soccer poem with rhyme scheme orientation sutd edu sg - Apr 30 2022

web soccer poem with rhyme scheme poetry project simplebooklet com june 15th 2018 i play soccer i ride horses he mostly composes poems with alliteration and rhyme poem spaguatti rhyme scheme the pattern of rhymes in a stanza or poem villanelle poems definition form amp examples video

soccer rhyme poems rhyme poems about soccer - Jun 13 2023

web soccer rhyme poems these soccer rhyme poems are examples of rhyme poems about soccer these are the best examples

of rhyme soccer poems written by international poets the game the whistle goes and the crowd roars i hope that my team is the first to score everyone has a song to sing as the ball flashes past

rhyme soccer poems soccer poems about rhyme - Apr 11 2023

web these rhyme soccer poems are examples of soccer poems about rhyme these are the best examples of soccer rhyme poems written by international poets the game the whistle goes and the crowd roars i hope that my team is the first to score everyone has a song to sing as the ball flashes past read more mark west

rhyme scheme definition and examples litcharts - Jan 08 2023

web a poem s rhyme scheme can be anything the poet wants it to be but here s a list of some of the more common rhyme schemes alternate rhyme is abab cdcd efef and so on this is the rhyme scheme typically used in ballads coupled rhyme is any rhyme scheme in which rhymes occur in pairs such as aabbcc the rhymes themselves are called

20 famous soccer poems rhyming short soccer poems post - Oct 17 2023

web soccer poems rhyming i m a soccer lover to play on the field there s no yield my friends my coaches and me wide open space to run free do some moves round the players here we go let your passion show shoot some goals one by one what s that you re having fun she shoots she scores you just won your season your

soccer poems best poems for soccer poem hunter - Mar 10 2023

web 2 days ago soccer poems by famous poets and best soccer poems to feel good best soccer poems ever written read all poems about soccer from aroun the world

soccer poem with rhyme scheme orientation sutd edu sg - Feb 26 2022

web soccer poem with rhyme scheme howtogetitincanada com hedgehogs soccer poems by mrslykhuis grade6 on prezi room250 sports period 4 villanelle wikipedia poetry wrap up soccer fever by jacinta mary ramayah 4 ways to rhyme wikihow what is this rhyme scheme called it goes aa bb cc dd ee ff

football poems poetry foundation - Sep 04 2022

web first down school days poems about street games high school hijinks and poets among players wide receiver mark halliday in the huddle you said go long get open and at the snap i took off along the right sideline and then cut across left in a long arc after school street football eighth grade dennis cooper my friends and i would watch them

teaching students about rhyme scheme in poetry an - Jun 01 2022

web nov 13 2023 here are some steps that teachers can take to teach students about rhyme scheme poetry 1 explain the concept of rhyme scheme the first step is to explain the concept of rhyme scheme in simple terms a rhyme scheme is essentially a pattern of end rhymes in a poem for instance in a four line stanza there can be an abab rhyme

10 rhyming soccer poems poem source - Sep 16 2023

web jun 9 2023 in rhyming soccer poems stories unfold a canvas of emotions untold a symphony of moments cherished gold where the language of soccer is truly bold more 10 rhyming poems for son poem 5 on fields adorned with vibrant green where dreams and passion intervene a symphony of soccer s grace in rhyming

soccer poem with rhyme scheme pdf download only - Jul 02 2022

web created the little football soccer poetry book for all the football soccer lovers across the world known for being the world s most popular sport the little american football poetry book includes unique poems representing football topics associated with the lovable game making it the perfect gift for the football soccer lover

17 fun soccer poems to score with aestheticpoems com - Aug 15 2023

web sep 20 2022 soccer poems that rhyme poems that rhyme are sometimes so much more fun to read and write than poems without rhyme schemes this is a collection of soccer poems that rhyme all about the love of playing and watching the sport and about the challenges that sometimes come along with this rambunctious beloved sport 1

rhyme scheme wikipedia - Nov 06 2022

web a rhyme scheme is the pattern of rhymes at the end of each line of a poem or song it is usually referred to by using letters to indicate which lines rhyme lines designated with the same letter all rhyme with each other an example of the abab rhyming scheme from to anthea who may command him anything by robert herrick

what is rhyme scheme definition types poem examples - Oct 05 2022

web jan 26 2023 rhyme scheme definition a rhyme scheme is the ordered pattern of rhyming words at the end of each line of a poem this pattern is labeled using capital letters such as the common abab rhyme scheme or aba bcb cdc ded ee for a terza rima or ababbcbc for a ballade

soccer poem with rhyme scheme orientation sutd edu sg - Mar 30 2022

web soccer poem with rhyme scheme villanelle poems definition form amp examples video june 21st 2018 this 4 line stanza keeps the same two rhyming sounds as the rest of the poem the rhyme scheme is abaa villanelle poems definition form amp examples related study what rhymes with soccer

the h r chally strategic account manager competency model the seven - Jan 03 2022

web the seven keys to managing strategic accounts 2003 isbn 0071417524 ean 0071417524 by sherman s sperry j reese s flylib com the h r chally strategic account manager competency model

the seven keys to managing strategic accounts goodreads - Feb 16 2023

web jan 5 2003 market proven strategies to generate competitive advantage by identifying and always taking care of your best customers the seven keys to managing strategic accounts provides decision makers with a proactive program for profitably managing their largest most critical customers their strategic accounts

[the seven keys to managing strategic accounts overdrive](#) - Jul 09 2022

web apr 29 2003 the seven keys to managing strategic accounts provides decision makers with a proactive program for profitably managing their largest most critical customers their strategic accounts drawing on the expertise of s4 consulting inc a leading edge provider of strategic account consulting and miller heiman a global

[the seven keys to managing strategic accounts amazon com](#) - Sep 23 2023

web apr 29 2003 the seven keys to managing strategic accounts is filled with best practices and examples of how to intelligently manage key interactions and relationships with these vital accounts for greater loyalty higher

the seven keys to managing strategic accounts open library - Nov 13 2022

web the seven keys to managing strategic accounts by sallie sherman 2003 mcgraw hill edition ebook in english it looks like you re offline donate Čeština cs deutsch de english en español es français fr the seven keys to

how does strategic account management differ from key account - Dec 02 2021

web key account selling is a part of strategic account management but it is not the same thing the distinction between the two is important for our discussion the following chart distinguishes between these two of many approaches in managing an important account figure 1 1 isolates the behaviors of a key account selling approach and a

[the seven keys to managing strategic accounts hardcover](#) - Apr 06 2022

web amazon in buy the seven keys to managing strategic accounts book online at best prices in india on amazon in read the seven keys to managing strategic accounts book reviews author details and more at amazon in free delivery on qualified orders

strategic account management best practices plan templates - Aug 10 2022

web for strategic account management consider picking up one or more of the following the seven keys to managing strategic accounts by sallie sherman joseph sperry and samuel reese major account sales strategy by neil rackham the new successful large account management by robert b miller stephen e heiman and tad tuleja

an in depth guide to strategic account management janek - Mar 05 2022

web jul 13 2021 sales managers manage people strategic account managers manage relationships it s a subtle but important distinction a sales manager works at coaching up their sales reps helping their team members to hit targets whether kpis sales numbers or both they develop their direct reports to become the best sales reps possible

the seven keys to managing strategic accounts google books - Jun 20 2023

web apr 29 2003 the seven keys to managing strategic accounts provides decision makers with a proactive program for profitably managing their largest most critical customers their strategic accounts

[the seven keys to managing strategic accounts open library](#) - Apr 18 2023

web apr 11 2003 seven keys to managing strategic accounts by sallie sherman joseph sperry samuel reese april 11 2003
mcgraw hill edition hardcover in english 1 edition

ways to examine strategic accounts the seven keys to managing - May 07 2022

web you can better optimize your returns from strategic accounts by aligning around a common vision and strategy selecting the right people to manage customers training those account managers setting up a human resources support system and ensuring that the customers you select are best suited for a strategic account approach

the seven keys to managing strategic accounts buresund - Mar 17 2023

web jun 14 2015 the seven keys to managing strategic accounts is filled with best practices and examples of how to intelligently manage key interactions and relationships with these vital accounts mdash for greater loyalty higher profitability and consistent competitive advantage

8 best practices for successful strategic account management - Sep 11 2022

web 1 assign dedicated strategic account managers the first step to a successful program is to assign dedicated account managers who are separate from sales the best programs don t have managers that must split their priorities or switch focus between making sales and developing strategic accounts

strategic account management guide for 2023 demandfarm - Feb 04 2022

web 1 where are we engaged today 2 where are the opportunities 3 where are the white spaces of growth 4 whether we should focus on farming or mining growth 3 know the key stakeholders within your strategic accounts

the seven keys to managing strategic accounts marketing sales adv - Jan 15 2023

web may 16 2003 the seven keys to managing strategic accounts is filled with best practices and examples of how to intelligently manage key interactions and relationships with these vital accounts for greater loyalty higher

the seven keys to managing strategic accounts sherman sallie - Jul 21 2023

web the seven keys to managing strategic accounts by sherman sallie publication date 2003 topics selling key accounts marketing key accounts strategic planning publisher l eng old pallet ia ns 1200191 openlibrary edition ol9546887m

openlibrary work ol20994403w page number confidence 87 93 pages 234 partner

the seven keys to managing strategic accounts apple books - Dec 14 2022

web the seven keys to managing strategic accounts provides decision makers with a proactive program for profitably managing their largest most critical customers their strategic accounts drawing on the expertise of s4 consulting inc a leading edge provider of strategic account consulting and miller heiman a global sales training

the seven keys to managing strategic accounts book skillsoft - May 19 2023

web key 1 define strategic account management as a business rather than a sales initiative key 2 create firm alignment and

commitment to meet strategic accounts needs and expectations key 3 start with the right number of the right strategic accounts key 4 create human resources support for strategic account managers

the seven keys to strategic account management s4 consulting - Aug 22 2023

web the seven keys to managing strategic accounts is filled with best practices and examples of how to intelligently manage key interactions and relationships with these vital accounts for greater loyalty higher profitability and consistent competitive advantage

the seven keys to managing strategic accounts hardcover - Oct 12 2022

web the keys to success for strategic account management 1 define strategic account management as a business rather than a sales initiative 2 create firm alignment and commitment to meet strategic account needs and expectations 3 start with the right number of the right strategic accounts 4 create human resources support for strategic

the seven keys to managing strategic accounts edition 1 - Jun 08 2022

web the seven keys to managing strategic accounts provides decision makers with a proactive program for profitably managing their largest most critical customers their strategic accounts drawing on the expertise of s4 consulting inc a leading edge provider of strategic account consulting and miller heiman a global sales training

atec mitutoyo sj 201p manual page 6 manualsdir com - Jun 07 2022

web user s manual for sj 201p 99mbb081a one sheet manual 526688 ac adapter optional accessories 178 391 detector for soft materials stylus tip radius 10µm 178 392 small hole detector ø4 5mm 178 393 small hole detector ø2 8mm 178 394 deep groove detector 178 395 detector for low pressure type stylus tip radius 2µm

portable surface roughness tester surfstest sj 210 series mitutoyo - Jun 19 2023

web the surfstest sj 210 is a user friendly surface roughness measurement instrument designed as a handheld tool that can be carried with you and used on site easy rz rz to use rz 2 4 inch color graphic lcd with backlight the color lcd provides excellent readability and an intuitive display that s easy to navigate

mitutoyo sj 201p manual pdf pdf surface roughness scribd - Feb 15 2023

web mitutoyo sj 201p manual pdf pdf surface roughness electrical engineering mitutoyo sj 201p manual pdf free ebook download as pdf file pdf text file txt or read book online for free scribd is the world s largest social reading and publishing site

surfstest sj 210 sj 310 - Dec 13 2022

web features the 2 4 inch color graphic lcd provides excellent readability and an intuitive display that is easy to use the lcd also includes a backlight for improved visibility in dark environments the surfstest sj 210 can be easily operated using the buttons on the front of the unit and under the sliding cover

[brütsch rüegger mitutoyo surfstest sj 201p manual](#) - Apr 17 2023

web view and download Brütsch rüegger mitutoyo surfstest sj 201p manual online surface roughness tester mitutoyo surfstest sj 201p test equipment pdf manual download also for 148 460

mitutoyo surface roughness tester sj 201 manual - Feb 03 2022

web mitutoyo surface roughness tester sj 201 manual large characters are displayed on the large easy to watch lcd portable for easy installation needed everywhere the trasher drive unit can be detached from the display unit for effortless metling of uncomfortably oriented workpieces wide 350µm 200µm to 150µm using range

[surface measurement surfstest sj 201 sj 301](#) - Mar 16 2023

web surfstest sj 201 sj 301 pre 1211 3 portable surface testers the smart solution for the workshop the sj 201 complies with gps standardisation for surface quality easy to read large character display portable for easy use wherever you need to measure drive unit can be detached from the display unit for easy measurement

no 99mbb079a5 series no 178 sj 201 cole parmer - Aug 21 2023

web to obtain the highest performance from this instrument and to use it safely read this user s manual prior to use this user s manual is intended for users of surface roughness testers sj 201p and sj 201r sj 201p is used in almost all descriptions of this user s manual if using model sj 201r

[mitutoyo sj 201 user manual pdf book keg](#) - Jan 02 2022

web mar 30 2022 our updated version of mitutoyo sj 201 user manual has all the information that you need and you will be satisfied reading all about mitutoyo sj 201 user manual mitutoyo sj 201 user manual pdf download we are pleased to offer you this book about mitutoyo sj 201 user manual this book is here to help you if you want to learn more

[brütsch rüegger mitutoyo surfstest sj 201p manuals](#) - Sep 10 2022

web manuals and user guides for Brütsch rüegger mitutoyo surfstest sj 201p we have 1 Brütsch rüegger mitutoyo surfstest sj 201p manual available for free pdf download manual

[surfstest sj 210 series mitutoyo](#) - May 18 2023

web download the surfstest sj 210 series is a portable user friendly surface roughness measurement instrument designed as a handheld tool for taking accurate on site measurements

mitutoyo sj 201 surface finish equipment - Jul 08 2022

web sj 201 series large characters are displayed on the large easy to view lcd portable for easy measurement anywhere necessary the detector drive unit can be detached from the display unit for effortless measurement of awkwardly oriented workpieces wide 350µm 200µm to 150µm measurement range

portable surface roughness tester surfstest sj 210 310 series mitutoyo - Nov 12 2022

web surfstest sj 210 also complies with ansi and vda standards battery the battery charges in one quarter of the time of previous mitutoyo products the drive unit can be separated from the display unit by using a cable allowing more flexible measurement the driver can be separated and reattached in one simple step

form measurement surfstest sj 400 mitutoyo - Mar 04 2022

web surfstest sj 400 portable surface roughness tester bulletin no 2013 2 3 requirement1 requirement2 requirement3 for free from the mitutoyo website user s manual one sheet manual tools inch metric 10 11 standard stylus for small hole

mitutoyo sj 301 user manual pdf download manualslib - May 06 2022

web to obtain the highest performance from this instrument and to use it safely read this user s manual prior to use this user s manual is intended for users of surface roughness testers sj 301 and sj 301r sj 301 is used in almost all descriptions of this user s manual

test equipment rentals sales calibration atec - Jan 14 2023

web the surfstest sj 201p is a portable surface roughness tester that can measure various parameters and display them on a large lcd screen this manual provides detailed instructions on how to operate maintain and calibrate the device as well as troubleshooting tips and specifications

mitutoyo user manuals download manualslib - Apr 05 2022

web view download of more than 543 mitutoyo pdf user manuals service manuals operating guides measuring instruments scales user manuals operating guides specifications

sj 201 pdf surface roughness calibration scribd - Aug 09 2022

web the smart solution for the workshop the sj 201 transverse tracing s drive unit for sj 201 301

atec mitutoyo sj 201p manual page 2 manualsdir com - Oct 11 2022

web sj 201p portable surface roughness tester a dedicated carrying case is included for safe transport a precision roughness specimen is supplied a hard copy of the measurement data is available with the optional printer 64aaa779 surfstest sj 201p

portable surface roughness tester surfstest sj 201p - Jul 20 2023

web the sj 201p is provided with functions to output spc data and communicate with external devices via the rs 232c interface a dedicated carrying case is included for safe transport a precision roughness specimen is supplied a hard copy of the measurement data is available with the optional printer 64aaa779