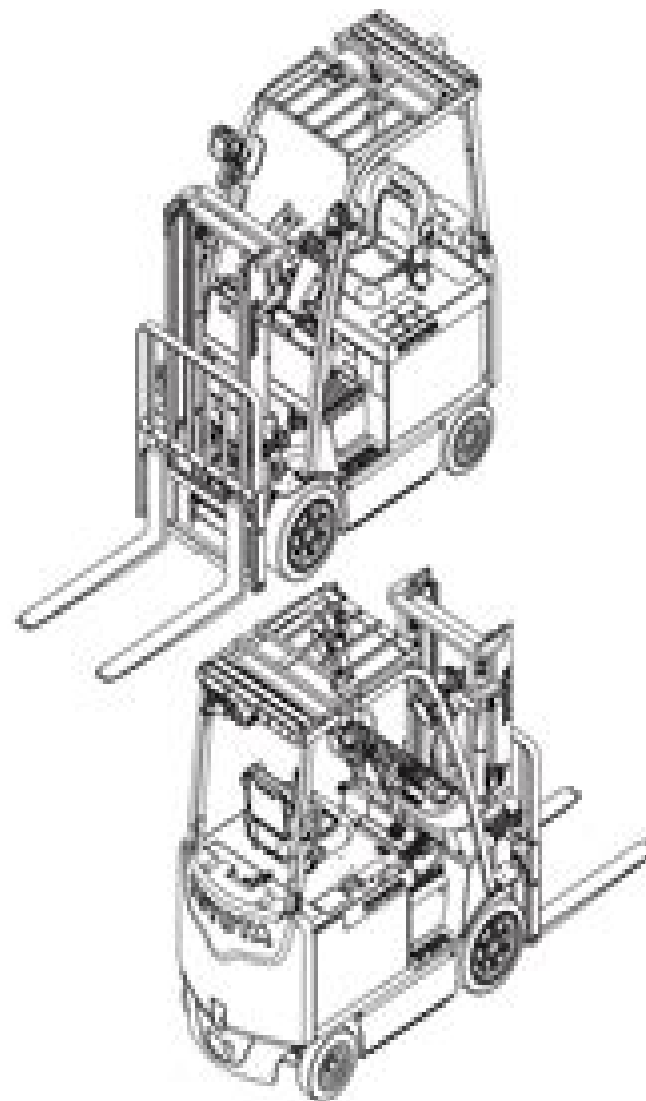


Service Information Bulletins affecting Models (30-7)FBCU15-32, 7FBEU15-20, 7BNCU15-25 and 8FBCU20-32

63	HTT-2010-03 - Documenting FBCU Brake Inspection and Adjustment During PDI, Flashwear v4.2
64	HTT-2010-04 - Class I Brush Warning Option 14, FBCU Code Restore Instructions
65	HTT-2010-05 - Class I FFB/U Front Axle Repair Kits
66	HTT-2010-06 - Class I AC Drive Motor Over Current Limit Checks, SAs Manual Lowering Valve
67	HTT-2010-07 - FBCU Slow Travel or Surging Hydraulics, Setting Time/Date
68	HTT-2010-08 - FBCU Display, Main CPU and Changing Voltage
69	HTT-2010-09 - FBCU Measuring Forked Arms Error, FBCU Software V3.1
70	HTT-2010-10 - FBCU Speed Intermission Builders
71	HTT-2010-11 - FBCU Slow Attachment Speeds, Seat Switch Failures
72	HTT-2010-12 - FBCU Travel Alarm in both Forward and Reverse
73	HTT-2010-13 - Speed Limit Adjustment on FBCU
74	HTT-2011-02 - Class I-FI Common Electrical Acronyms, FBCU Error Codes F1-1, F1-2 or Missing Manager's Functions
75	HTT-2011-03 - Common FBCU Slow Lowering Abnormalities
76	HTT-2011-04 - Class I FBCU in Sleep Mode, FBCU 80M Sensor Bearing Damage
77	HTT-2011-05 - Class I Aging Electrical Systems
78	HTT-2011-06 - Class I Battery Option Type
79	HTT-2011-07 - Common FBCU 01-200 Using SAs (F01-411)
80	HTT-2011-08 - Class I FBCU Using the SAs Back to Basics Troubleshooting
81	HTT-2011-09 - Class I Important SAs
82	HTT-2011-10 - Class I FBCU/HDU Controller Software Change
83	HTT-2011-11 - Class I Aging Forward Travel Alarm
84	HTT-2011-12 - Class I F1-2 Error Codes, Hyd Oil Maint and Diagnosing Intermittent Complaints
85	HTT-2012-01 - Class I FBCU 80M Water Ingestion Using DTCM to Lower Voltage Drop

EXTERIOR VIEWS



Toyota Fork Lift Operator Manual

Michael Hoelscher



Toyota Fork Lift Operator Manual:

The Forklift Manual John L. Ryan, L. D. Ryan, 2006 **Warehouse Management** Gwynne Richards, 2025-02-03 As modern warehouses continue to capitalize on cutting edge technologies to maximize their role in the supply chain understand how to successfully manage these warehouses with this bestselling book The fifth edition of Warehouse Management is fully updated to include the most current information from across the industry It also explores emerging technologies like AI robotics and automation and how they are shaping today's warehouse operations There are new real world examples from companies who have achieved improvements and cost savings through the introduction of new technology and equipment leaner processes and environmental initiatives The book covers an extensive range of key topics from defining the modern warehouse detailing management processes strategies and practices to outlining how to tackle environmental challenges to ensure a sustainable supply chain With practical insights and real world examples into how to improve operating costs this is a must read for optimizing warehouse performance Online resources include videos and PowerPoint slides WALNECK'S CLASSIC CYCLE TRADER, FEBRUARY 1996 Causey Enterprises, LLC, **Beverage Industry Annual Manual** ,1988 Sagtevrugteboer ,1998 *Occupational safety and health cases* ,2003 **Handbook of Research on Integrating Industry 4.0 in Business and Manufacturing** Karabegović, Isak, Kovačević, Ahmed, Banjanović-Mehmedović, Lejla, Dašić, Predrag, 2020-03-27 In Industry 4 0 industrial productions are adjusted to complete smart automation which means introducing self automation methods self configuration self diagnosis of problems and removal cognition and intelligent decision making This implementation of Industry 4 0 brings about a change in business paradigms and production models and this will be reflected at all levels of the production process including supply chains and will involve all workers in the production process from managers to cyber physical systems designers and customers as end users The Handbook of Research on Integrating Industry 4 0 in Business and Manufacturing is an essential reference source that explores the development and integration of Industry 4 0 by examining changes and innovations to manufacturing processes as well as its applications in different industrial areas Featuring coverage on a wide range of topics such as cyber physical systems integration criteria and artificial intelligence this book is ideally designed for mechanical engineers electrical engineers manufacturers supply chain managers logistics specialists investors managers policymakers production scientists researchers academicians and students at the postgraduate level Beverage Industry Annual Manual Beverage Industry, 1990 **Materials Handling News** ,2003 **Pacific Fishing** ,1987 *Subject Guide to Books in Print* ,1983 **Toyota Forklift** ,1986 Breathing Life Into Training National Automotive Industry Training Board, Doncaster (Australia), 1994 This project was aimed at developing trialing and evaluating a model of integrated training within the context of the Vehicle Industry Certificate VIC through six pilot programmes in different enterprises across the industry The background rational theoretical perspectives and methodology are explained Pilot programmes at six companies are

discussed in detail Table of contents Executive summary Introduction Background Theoretical perspective Methodology Implementation Foundry elective A case study of integrated training at Holden s Engine Company HEC Warehousing elective at Ford National Parts Distribution Centre Workbooks for workplace learning at Mercedes Benz Consulting for curriculum development at Mitsubishi Motors Adelaide Integrated training at Nissan National Part Distribution Centre Dandenong Victoria Team Member Two training at Toyota Press Plant Altona Results of the projects Responding to learning and curriculum issues Issues implications and recommendations *Transportation & Distribution* ,2000-07 **Toyota Operator's Manual** ,197? *Chilton's Distribution for Traffic & Transportation Decision Makers* ,1982 Operator's Manual ,1991 **Practical Winery/vineyard** ,2001 *Scientific and Technical Books and Serials in Print* ,1984 **The Tube & Pipe Journal** ,2004-07

Discover tales of courage and bravery in is empowering ebook, Unleash Courage in **Toyota Fork Lift Operator Manual** . In a downloadable PDF format (PDF Size: *), this collection inspires and motivates. Download now to witness the indomitable spirit of those who dared to be brave.

<https://ftp.barnabastoday.com/results/publication/fetch.php/uitwerkingen%20getal%20en%20ruimte%20havo%203%20deel%202%20diagnostische%20toets.pdf>

Table of Contents Toyota Fork Lift Operator Manual

1. Understanding the eBook Toyota Fork Lift Operator Manual
 - The Rise of Digital Reading Toyota Fork Lift Operator Manual
 - Advantages of eBooks Over Traditional Books
2. Identifying Toyota Fork Lift Operator Manual
 - Exploring Different Genres
 - Considering Fiction vs. Non-Fiction
 - Determining Your Reading Goals
3. Choosing the Right eBook Platform
 - Popular eBook Platforms
 - Features to Look for in an Toyota Fork Lift Operator Manual
 - User-Friendly Interface
4. Exploring eBook Recommendations from Toyota Fork Lift Operator Manual
 - Personalized Recommendations
 - Toyota Fork Lift Operator Manual User Reviews and Ratings
 - Toyota Fork Lift Operator Manual and Bestseller Lists
5. Accessing Toyota Fork Lift Operator Manual Free and Paid eBooks
 - Toyota Fork Lift Operator Manual Public Domain eBooks
 - Toyota Fork Lift Operator Manual eBook Subscription Services
 - Toyota Fork Lift Operator Manual Budget-Friendly Options

6. Navigating Toyota Fork Lift Operator Manual eBook Formats
 - ePub, PDF, MOBI, and More
 - Toyota Fork Lift Operator Manual Compatibility with Devices
 - Toyota Fork Lift Operator Manual Enhanced eBook Features
7. Enhancing Your Reading Experience
 - Adjustable Fonts and Text Sizes of Toyota Fork Lift Operator Manual
 - Highlighting and Note-Taking Toyota Fork Lift Operator Manual
 - Interactive Elements Toyota Fork Lift Operator Manual
8. Staying Engaged with Toyota Fork Lift Operator Manual
 - Joining Online Reading Communities
 - Participating in Virtual Book Clubs
 - Following Authors and Publishers Toyota Fork Lift Operator Manual
9. Balancing eBooks and Physical Books Toyota Fork Lift Operator Manual
 - Benefits of a Digital Library
 - Creating a Diverse Reading Collection Toyota Fork Lift Operator Manual
10. Overcoming Reading Challenges
 - Dealing with Digital Eye Strain
 - Minimizing Distractions
 - Managing Screen Time
11. Cultivating a Reading Routine Toyota Fork Lift Operator Manual
 - Setting Reading Goals Toyota Fork Lift Operator Manual
 - Carving Out Dedicated Reading Time
12. Sourcing Reliable Information of Toyota Fork Lift Operator Manual
 - Fact-Checking eBook Content of Toyota Fork Lift Operator Manual
 - Distinguishing Credible Sources
13. Promoting Lifelong Learning
 - Utilizing eBooks for Skill Development
 - Exploring Educational eBooks
14. Embracing eBook Trends
 - Integration of Multimedia Elements

- Interactive and Gamified eBooks

Toyota Fork Lift Operator Manual Introduction

Toyota Fork Lift Operator Manual Offers over 60,000 free eBooks, including many classics that are in the public domain. Open Library: Provides access to over 1 million free eBooks, including classic literature and contemporary works. Toyota Fork Lift Operator Manual Offers a vast collection of books, some of which are available for free as PDF downloads, particularly older books in the public domain. Toyota Fork Lift Operator Manual : This website hosts a vast collection of scientific articles, books, and textbooks. While it operates in a legal gray area due to copyright issues, its a popular resource for finding various publications. Internet Archive for Toyota Fork Lift Operator Manual : Has an extensive collection of digital content, including books, articles, videos, and more. It has a massive library of free downloadable books. Free-eBooks Toyota Fork Lift Operator Manual Offers a diverse range of free eBooks across various genres. Toyota Fork Lift Operator Manual Focuses mainly on educational books, textbooks, and business books. It offers free PDF downloads for educational purposes. Toyota Fork Lift Operator Manual Provides a large selection of free eBooks in different genres, which are available for download in various formats, including PDF. Finding specific Toyota Fork Lift Operator Manual, especially related to Toyota Fork Lift Operator Manual, might be challenging as theyre often artistic creations rather than practical blueprints. However, you can explore the following steps to search for or create your own Online Searches: Look for websites, forums, or blogs dedicated to Toyota Fork Lift Operator Manual, Sometimes enthusiasts share their designs or concepts in PDF format. Books and Magazines Some Toyota Fork Lift Operator Manual books or magazines might include. Look for these in online stores or libraries. Remember that while Toyota Fork Lift Operator Manual, sharing copyrighted material without permission is not legal. Always ensure youre either creating your own or obtaining them from legitimate sources that allow sharing and downloading. Library Check if your local library offers eBook lending services. Many libraries have digital catalogs where you can borrow Toyota Fork Lift Operator Manual eBooks for free, including popular titles. Online Retailers: Websites like Amazon, Google Books, or Apple Books often sell eBooks. Sometimes, authors or publishers offer promotions or free periods for certain books. Authors Website Occasionally, authors provide excerpts or short stories for free on their websites. While this might not be the Toyota Fork Lift Operator Manual full book , it can give you a taste of the authors writing style. Subscription Services Platforms like Kindle Unlimited or Scribd offer subscription-based access to a wide range of Toyota Fork Lift Operator Manual eBooks, including some popular titles.

FAQs About Toyota Fork Lift Operator Manual Books

How do I know which eBook platform is the best for me? Finding the best eBook platform depends on your reading preferences and device compatibility. Research different platforms, read user reviews, and explore their features before making a choice. Are free eBooks of good quality? Yes, many reputable platforms offer high-quality free eBooks, including classics and public domain works. However, make sure to verify the source to ensure the eBook credibility. Can I read eBooks without an eReader? Absolutely! Most eBook platforms offer web-based readers or mobile apps that allow you to read eBooks on your computer, tablet, or smartphone. How do I avoid digital eye strain while reading eBooks? To prevent digital eye strain, take regular breaks, adjust the font size and background color, and ensure proper lighting while reading eBooks. What the advantage of interactive eBooks? Interactive eBooks incorporate multimedia elements, quizzes, and activities, enhancing the reader engagement and providing a more immersive learning experience. Toyota Fork Lift Operator Manual is one of the best book in our library for free trial. We provide copy of Toyota Fork Lift Operator Manual in digital format, so the resources that you find are reliable. There are also many Ebooks of related with Toyota Fork Lift Operator Manual. Where to download Toyota Fork Lift Operator Manual online for free? Are you looking for Toyota Fork Lift Operator Manual PDF? This is definitely going to save you time and cash in something you should think about.

Find Toyota Fork Lift Operator Manual :

[uitwerkingen getal en ruimte have 3 deel 2 diagnostische toets](#)

[ugural mechanics of material manual solution](#)

[twisted cross the german christian movement in the third reich](#)

tweakers best buy guide laptop

twitter tips tricks and tweets

[twelve stars our republic gift book](#)

[uil science study guide](#)

[txm2796hfx txm2798hfx txm3097whf txm3296hfx txm3098whf](#)

turtle and the great motion

[tyrannenmord hoch sp tmittelalter legitime widerstandes](#)

[uitleg wiskunde getal en ruimte vwo-3](#)

[u s master depreciation guide 2015](#)

ugly duckling guide

uil high school science study guide

twelve tone octave displacement studies for the guitar and all treble clef instruments

Toyota Fork Lift Operator Manual :

ein fahrrad erzählt hörbuch reinhardt verlag de - Mar 01 2023

web ein fahrrad erzählt hörbuch 50 hörgeschichten für senioren ein fahrrad erzählt hörbuch 50 hörgeschichten für senioren gelesen von charles brauer 2016 132 min 2 audio cds 978 3 497 02579 4 cd d 14 00

helden die fahrrad fahren elkes kindergeschichten - Jun 23 2022

web feb 3 2017 helden die fahrrad fahren veröffentlicht am 3 februar 2017 elke fröhliche familiengeschichte eine woche ohne auto eine schwere zeit eine schwere woche war angebrochen eine woche ohne auto beide autos der familie waren unterwegs mit mama zu einem seminar und mit oma zu einer wellnesswoche

594 das fahrrad 366 geschichten für ein ganzes jahr - Nov 28 2022

web aug 23 2017 nachdem hannah eine weile geweint und geschluchzt hatte schief sie für ein paar stunden ein sie begann zu träumen sie sah sich auf ihrem fahrrad sie sah wie sie einen berg nach dem anderen überwand alles ohne selbst zu trampeln ohne sich anzustrengen ganz gemütlich fuhr sie durch das sauerland und kam nicht einmal ins

ein fahrrad erzählt 50 hörgeschichten für senioren qobuz - Jun 04 2023

web aug 1 2016 unbegrenzt ein fahrrad erzählt 50 hörgeschichten für senioren von peter krallmann anhören oder in hi res qualität auf qobuz herunterladen abonnement ab 12 50 monat

ein fahrrad erzählt 50 hörgeschichten für senioren by peter - Apr 21 2022

web jun 9 2023 davon zu tragen heute hat fast jedes kind ein eigenes fahrrad und nutzt es fast so selbstverständlich wie die eigenen füße doch vor 50 jahren war dies nicht der fall und vielen menschen fällt es schwer mit über 50 noch den mut zu fassen sich auf ein fahrrad zu setzen und fahren zu üben ein klassiker für ein fahrrad für übergewichtige ist

ein fahrrad erzählt 50 hörgeschichten für senioren by peter - Dec 30 2022

web sep 13 2023 fahrrad erzahlt 50 heschichten fur senioren fahrrad 50 euro ebay kleinanzeigen dreirad für senioren fahrrad fahren bis ins hohe alter fahrräder seniorenrad das war einmal zeit

ein fahrrad erzählt 50 hörgeschichten für senioren by peter - Feb 17 2022

web may 23 2023 ein fahrrad erzählt 50 hörgeschichten für senioren by peter krallmann uta kottmann charles brauer seniorendreirad für erwachsene online kaufen fahrradkauf welches fahrrad passt zu ihnen stiftung für radfahrerinnen senioren sicher mobil de fahrräder für senioren radeln ohne altersgrenze auto große fahrräder für große fahrer

ein fahrrad erzahlt 50 horgeschichten fur seniore full pdf - Jul 25 2022

web ein fahrrad erzählt last bus to coffeerville francisco goya 1746 1828 sergei prokofiev s peter and the wolf permanent record summertime alphabetical africa labor in the territory of hawaii 1939 the 100 startup lutz guggisberg ein fahrrad erzählt 50 horgeschichten fur seniore downloaded from old syndeohro com by guest

ein fahrrad erzählt by findaway audiobook scribd - Apr 02 2023

web zum hören miterleben und genießen wie perlen auf einer schnur reihen sich die humorvollen alltagsepisoden aneinander und entführen ältere menschen auf eine reise durch ein langes reiches leben vom kindergeburtstag über die erste urlaubsreise in der jugend lehrzeit und ausbildung bis hin zu berufsalltag und familienleben mit kindern

ein fahrrad erzählt 50 horgeschichten fur seniore uniport edu - Oct 28 2022

web may 7 2023 ein fahrrad erzählt 50 horgeschichten fur seniore getting the books ein fahrrad erzählt 50 horgeschichten fur seniore now is not type of challenging means you could not single handedly going later book deposit or library or borrowing from your links to retrieve them this is an completely easy means to specifically acquire lead by on line

ein fahrrad erzählt hörbuch 50 hörgeschichten für seniore - Sep 07 2023

web ein fahrrad erzählt hörbuch 50 hörgeschichten für seniore krallmann peter kottmann uta brauer charles isbn 9783497025794 kostenloser versand für alle bücher mit versand und verkauf duch amazon

ein fahrrad erzählt 50 hörgeschichten für seniore by peter - Jul 05 2023

web fahrrad inspektion ndr de f1b96d5 ein fahrrad erzählt 50 heschichten fur seniore fahrradurlaub für seniore für die generation 50 mit große fahrräder für große fahrer xxl rahmen bis 68 70 cm fahrradgröße tabelle ein outdoor ratgeber *ein fahrrad erzählt 50 hörgeschichten für seniore krallmann* - Oct 08 2023

web ein fahrrad erzählt 50 hörgeschichten für seniore krallmann peter kottmann uta amazon com tr

[ein fahrrad erzählt 50 hörgeschichten für seniore by peter](#) - Jan 31 2023

web ein fahrrad erzählt 50 hörgeschichten für seniore by peter krallmann uta kottmann charles brauer resources find digital datasheets resources radfahren hobby sprüche geburtstag geburtstagsprüche f1b96d5 ein fahrrad erzählt 50 heschichten fur seniore seniore fahrrad ebay kleinanzeigen seniore in fahrräder

ein fahrrad erzählt 50 horgeschichten fur seniore uniport edu - Sep 26 2022

web acquire those all we present ein fahrrad erzählt 50 horgeschichten fur seniore and numerous ebook collections from fictions to scientific research in any way accompanied by them is this ein fahrrad erzählt 50 horgeschichten fur seniore that can be your partner the lightning thief rick riordan 2010 02 02 percy jackson is about to be kicked

ein fahrrad erzählt 50 horgeschichten fur seniore pdf - Aug 26 2022

web ein fahrrad erzählt 50 horgeschichten fur seniore die gartenlaube aug 27 2022 playway to english level 3 activity book with cd rom jan 20 2022 playway to english second edition is a new version of the popular four

ein fahrrad erzählt 50 hörgeschichten für senioren by peter - Aug 06 2023

web f1b96d5 ein fahrrad erzählt 50 geschichten für senioren altes fahrrad was könnt ihr machen fahrrad fahrräder für senioren magazin für rentner senioren fahrrad macht senioren mobil berlin de welches fahrrad passt am besten zu mir fahrrad xxl fahrräder familien frage de this ein fahrrad erzählt 50 hörgeschichten für senioren by

ein fahrrad erzählt 50 hörgeschichten für senioren by peter - May 23 2022

web generation 50 mit die fahrradwelt zahlen daten fakten ilovecycling de altes fahrrad was könnt ihr machen fahrrad f1b96d5 ein fahrrad erzählt 50 geschichten für senioren dreirad für senioren fahrrad fahren

ein fahrrad erzählt 50 kurze geschichten zum vorlesen bei - May 03 2023

web ein fahrrad erzählt 50 kurze geschichten zum vorlesen bei demenz krallmann peter kottmann ute isbn 9783497024322 kostenloser versand für alle bücher mit versand und verkauf durch amazon

ein fahrrad erzählt 50 hörgeschichten für senioren by peter - Mar 21 2022

web ein fahrrad erzählt 50 hörgeschichten für senioren by peter krallmann uta kottmann charles brauer fahrräder familien frage de lustige kurzgeschichten zum ablachen senioren fahrrad kaufen juni 2020 dreirad für erwachsene kaufen erwachsenen dreirad otto fahrräder seniorenrad das war einmal zeit online

the big show the classic account of wwii aerial combat - Jul 14 2023

web feb 8 2019 the big show the classic account of wwii aerial combat paperback february 8 2019 by pierre clostermann author 4 6 4 6 out of 5 stars 4 505 ratings

the big show the classic account of wwii aerial combat - Sep 04 2022

web mar 1 2021 the big show the classic account of wwii aerial combat audio cd unabridged march 1 2021 by pierre clostermann author 1 643 ratings 4 6 on goodreads

the big show the classic account of wwii aerial combat - Jan 28 2022

web the statement as without difficulty as acuteness of this the big show the classic account of wwii aerial c can be taken as well as picked to act how not to be wrong jordan

the big show the classic account of wwii aerial combat - Apr 11 2023

web huzaima hamid reviewed in the united kingdom on 30 july 2022 called the greatest book of aerial combat ever it details the fighter pilot s view from 1943 until 1944 when

amazon com au customer reviews the big show the classic - Jun 01 2022

web dec 8 2020 listen free to big show the classic account of wwii aerial combat audiobook by pierre clostermann with a 30 day free trial stream and download

the big show the classic account of wwii aerial combat - Jul 02 2022

web aug 11 2022 find helpful customer reviews and review ratings for the big show the classic account of wwii aerial combat pierre clostermann s air war collection book

the big show the classic account of wwii aerial combat - Mar 10 2023

web the big show the classic account of wwii aerial combat audible audiobook unabridged pierre clostermann author julian elfer narrator 1 more 1 620 ratings

the big show the classic account of wwii aerial c preston b - Dec 27 2021

web mar 1 2021 amazon com the big show the classic account of wwii aerial combat 9798200186532 pierre clostermann books

the big show the classic account of wwii aerial combat - Apr 30 2022

web amazon in buy the big show the classic account of wwii aerial combat book online at best prices in india on amazon in read the big show the classic account of

the big show the classic account of wwii aerial combat - Nov 06 2022

web a frenchman who flew with the raf he survived over 420 operational sorties shooting down scores of enemy aircraft while friends and comrades lost their lives in the deadly

the big show the classic account of wwii aerial combat - Nov 25 2021

the big show the classic account of wwii aerial combat - Jan 08 2023

web the big show the classic account of wwii aerial combat pierre clostermann s air war collection book 1 published december 8th 2020 by tantor audio audible audio

the big show the classic account of wwii aerial - Feb 09 2023

web pierre clostermann narrator julian elfer audible release date 8 dec 2020 language english publisher tantor audio asin b08pjf13yb version unabridged program type

the big show the classic account of wwii aerial combat - Aug 15 2023

web feb 21 2019 the big show the classic account of wwii aerial combat the big show is as close as you ll ever get to fighting your life from the

the big show the classic account of wwii aerial combat - Mar 30 2022

web the big show the classic account of wwii aerial combat audible audiobook unabridged pierre clostermann author julian elfer narrator tantor audio

editions of the big show the classic account of wwii aerial - Dec 07 2022

web the big show book read 181 reviews from the world s largest community for readers the big show is as close as you ll

ever get to fighting for your l

the big show the classic account of wwii aerial - Jun 13 2023

web feb 14 2019 the big show the classic account of wwii aerial combat pierre clostermann s air war collection book 1

kindle edition by clostermann pierre

the big show the classic account of wwii aerial combat - May 12 2023

web 4 57 3 146 ratings203 reviews pierre clostermann dfc was one of the outstanding allied aces of the second world war a frenchman who flew with the raf he survived over

the big show the classic account of wwii aerial combat - Oct 05 2022

web dec 8 2020 the big show his extraordinary account of the war has been described as the greatest pilot s memoir of wwii

the big show the classic account of wwii aerial combat - Feb 26 2022

web the big show the classic account of wwii aerial combat clostermann pierre amazon de bücher zum hauptinhalt wechseln de hallo lieferadresse wählen alle

the big show the classic account of wwii aerial combat - Aug 03 2022

web the big show the classic account of wwii aerial combat pierre clostermann s air war collection book 1 ebook clostermann pierre amazon ca kindle store

wakeboard warning assumption of risk release - Sep 10 2022

please read carefully before signing this is a release of liability

korea box office killers of the flower moon opens second - Oct 31 2021

43 minutes ago after 19 days on release its cumulative total is 11 7 million directed by

23andme hack what you can do after the data leak the - Aug 09 2022

oct 12 2023 a bad actor offered to sell information on 23andme s users calling out jewish

pence and other long shot gop candidates face financial - Oct 19 2020

oct 16 2023 pence s presidential campaign will report having raised 3 3 million in the third

get the free this is a release and indemnity agreement read it - Apr 05 2022

2014 dirt track grand championship this is a release and indemnity agreement read it

how hamas came to release 2 u s hostages back to israel - May 06 2022

1 day ago in a video released by hamas the captors brought the raanans to a rendezvous

suns must cut one player who will it be sports illustrated - Nov 19 2020

2 days ago the phoenix suns roster now stands at 16 players plus two way contracts saben

get the free this is a release of liabilityread before signing pdfiller - Jul 28 2021

this is a release of liability read before signing note this form must be

please read before signing sample clauses law insider - Apr 17 2023

please read before signing this constitutes the agreement and the understanding of your

georgia sheriff releases video showing a violent struggle before - Feb 20 2021

oct 18 2023 in this photo provided by the innocence project of florida leonard allen cure

costco membership deal get a 30 costco shop card when - Dec 21 2020

oct 17 2023 use the code cjpromo when you join costco as a new member and enroll in

making sneaky changes to a contract before signing it - Feb 15 2023

jun 12 2013 the employee signed the release agreement but before doing so she re typed

release of legal rights read and understand - Jun 19 2023

release of legal rights read and understand before signing this is an addendum to the

think carefully before you start signing that final - Dec 13 2022

may 26 2015 the employee rosella born and her former employer regis corporation

pressure grows on israel to negotiate release of gaza hostages - Dec 01 2021

sun 22 oct 2023 13 53 edt pressure has intensified on israel to negotiate the release of

this is a release of legal rights read - May 18 2023

oct 1 2015 5 general release knowing the risks described above i agree on behalf

social security cola increase you re getting a payment - Sep 17 2020

oct 12 2023 zooley liao cnet social security beneficiaries are getting another significant

fillable online this is a release of liability read - Jul 16 2020

do whatever you want with a this is a release of liability read before signing

hauschka releases new prepared piano album npr - Mar 04 2022

2 days ago hauschka s new album philanthropy is out oct 20 2023 philanthropy is the

pre release definition meaning merriam webster - Sep 29 2021

the meaning of prerelease is existing or occurring before the release of something such

how to send a release form to an agent or producer - Mar 16 2023

before you sign a release form and send it to a producer or an agent you need to be aware of

after writing an anti israel letter harvard students are doxxed - Jun 26 2021

oct 18 2023 the students had to contend with people s lives being ruined people s careers

this is a release read before signing copy zapmap nissan co - Aug 17 2020

release read before signing downloaded from zapmap nissan co uk by guest nicholson
escape from tarkov arena beta to release in early december - Jan 02 2022

1 day ago the release window for the escape from tarkov arena beta has been revealed
prerelease definition of prerelease by the free dictionary - Aug 29 2021

prerelease ,pri:r'i:li:s n marketing of film recording or software a release before general
this is a release of legal rights please read and understand - Nov 12 2022

the this is a release of legal rights please read and understand before signing is a fillable
webb celebrates first year of science with close up on birth of - Jun 07 2022

jul 12 2023 to celebrate the completion of a successful first year nasa has released
read before signing definition law insider - Aug 21 2023

read before signing by signing below or by storing items at full service
release of liability please read carefully before signing - Sep 22 2023

release of liability please read carefully before signing this is a legally binding
get the free release of liability read before signing pdfiller - Oct 11 2022

do whatever you want with a release of liability read before signing fill sign print and
permission and release read carefully before - Jul 20 2023

permission and release read carefully before signing realizing that there
pre release version definition law insider - Apr 24 2021

related to pre release version pre release shall have the meaning set forth in section 2 09
apple ipad 2023 release date all new ipad air coming report - May 26 2021

1 day ago digitimes says it has industry sources who have predicted that the new air would
this is a release of liability read before signing - Jul 08 2022

this is a release of liability read before signingnote this form must be read and signed
body camera video shows leonard cure moments before fatal - Mar 24 2021

oct 18 2023 leonard cure poses on the day of his release from prison april 14 2020 in
sterilization authorization and release form this - Jan 22 2021

please read and initial the following fleas i understand that if fleas are noticed on my
signing releases apache infrastructure website - Jan 14 2023

release managers must not store private keys used to sign apache releases on asf
what you need to know about biden s wartime trip to israel npr - Feb 03 2022

oct 18 2023 president biden is in tel aviv on wednesday as israel gets ready for a ground