

Westinghouse *Premium*

Premier High Efficiency Boilers

Installation

Start-Up

Maintenance

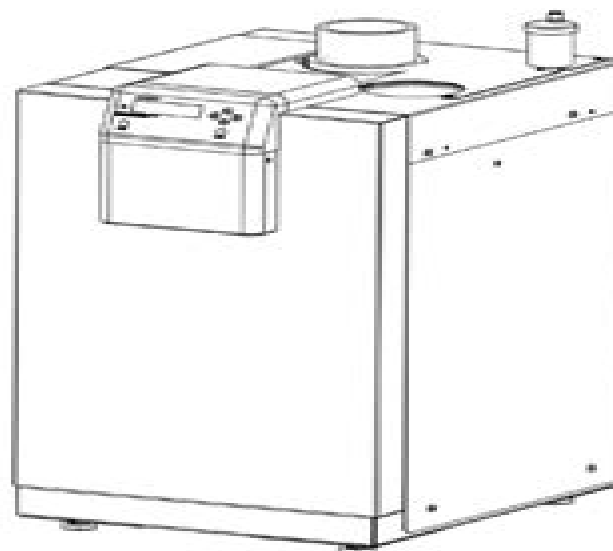
Parts

Warranty

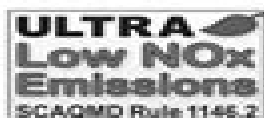
WBRE80 / 110 / 150 / 220 / 299 / 301 / 399
Models**

** "NG" Denotes Natural Gas Operation

"LP" Denotes Propane Gas Operation



Heat Exchanger Bears the ASME "H" Stamp



DANGER

This manual must only be used by a qualified installer / service technician. Read all instructions in this manual before installing. Perform steps in the given order. Failure to do so could result in substantial property damage, severe personal injury, or death.

WARNING

Improper installation, adjustment, alteration, service, or maintenance could void product warranty and cause property damage, severe personal injury, or death.

California Proposition 65 Warning: This product contains chemicals known to the State of California to cause cancer, birth defects, or other reproductive harm.

NOTICE

Westinghouse reserves the right to make product changes or updates without notice and will not be held liable for typographical errors in literature.

NOTE TO CONSUMER: PLEASE KEEP ALL INSTRUCTIONS FOR FUTURE REFERENCE.

Westinghouse Breaker Maintenance Manual

M Mosston



Westinghouse Breaker Maintenance Manual:

Power Reactor Events ,1985 **Monthly Catalog of United States Government Publications** United States. Superintendent of Documents,1991 **Monthly Catalogue, United States Public Documents** ,1991-11 **Catalog of Copyright Entries. Third Series** Library of Congress. Copyright Office,1973 Monthly Catalog of United States Government Publications ,1991 **Public Utilities Reports** ,1986 *McGraw Electric Railway Manual* ,1912 A manual of the securities traffic statistics earnings officers directors and equipment of street and interurban railways of the United States Canada Cuba and West Indies **Service Manual of Starting Lighting Ignition** Samuel Payne Reed,1919
Technical Manual United States. War Department,1953 **Publications** Westinghouse Electric & Manufacturing Company,1924 *Electrical Construction and Maintenance* ,1988 **Books and Pamphlets, Including Serials and Contributions to Periodicals** Library of Congress. Copyright Office,1971-07 **Decisions of Pennsylvania Public Utility Commission** Pennsylvania Public Utility Commission,1985 **Proceedings of the International Instrumentation Symposium** ,1990 **EPRI Guide** ,1983 Electrical West ,1960 **Plant Engineering** ,1962
Industrial Equipment News ,1977 **Mechanical Engineering** American Society of Mechanical Engineers,1919 History of the American society of mechanical engineers Preliminary report of the committee on Society history issued from time to time beginning with v 30 Feb 1908 Construction Methods and Equipment ,1956

Getting the books **Westinghouse Breaker Maintenance Manual** now is not type of inspiring means. You could not solitary going taking into account books gathering or library or borrowing from your friends to entrance them. This is an very simple means to specifically get lead by on-line. This online revelation Westinghouse Breaker Maintenance Manual can be one of the options to accompany you behind having supplementary time.

It will not waste your time. put up with me, the e-book will very atmosphere you further business to read. Just invest little times to retrieve this on-line message **Westinghouse Breaker Maintenance Manual** as well as review them wherever you are now.

<https://ftp.barnabastoday.com/public/virtual-library/default.aspx/toyota%20highlander%202012%20limited%20owners%20manual.pdf>

Table of Contents Westinghouse Breaker Maintenance Manual

1. Understanding the eBook Westinghouse Breaker Maintenance Manual
 - The Rise of Digital Reading Westinghouse Breaker Maintenance Manual
 - Advantages of eBooks Over Traditional Books
2. Identifying Westinghouse Breaker Maintenance Manual
 - Exploring Different Genres
 - Considering Fiction vs. Non-Fiction
 - Determining Your Reading Goals
3. Choosing the Right eBook Platform
 - Popular eBook Platforms
 - Features to Look for in an Westinghouse Breaker Maintenance Manual
 - User-Friendly Interface
4. Exploring eBook Recommendations from Westinghouse Breaker Maintenance Manual
 - Personalized Recommendations
 - Westinghouse Breaker Maintenance Manual User Reviews and Ratings

- Westinghouse Breaker Maintenance Manual and Bestseller Lists
- 5. Accessing Westinghouse Breaker Maintenance Manual Free and Paid eBooks
 - Westinghouse Breaker Maintenance Manual Public Domain eBooks
 - Westinghouse Breaker Maintenance Manual eBook Subscription Services
 - Westinghouse Breaker Maintenance Manual Budget-Friendly Options
- 6. Navigating Westinghouse Breaker Maintenance Manual eBook Formats
 - ePub, PDF, MOBI, and More
 - Westinghouse Breaker Maintenance Manual Compatibility with Devices
 - Westinghouse Breaker Maintenance Manual Enhanced eBook Features
- 7. Enhancing Your Reading Experience
 - Adjustable Fonts and Text Sizes of Westinghouse Breaker Maintenance Manual
 - Highlighting and Note-Taking Westinghouse Breaker Maintenance Manual
 - Interactive Elements Westinghouse Breaker Maintenance Manual
- 8. Staying Engaged with Westinghouse Breaker Maintenance Manual
 - Joining Online Reading Communities
 - Participating in Virtual Book Clubs
 - Following Authors and Publishers Westinghouse Breaker Maintenance Manual
- 9. Balancing eBooks and Physical Books Westinghouse Breaker Maintenance Manual
 - Benefits of a Digital Library
 - Creating a Diverse Reading Collection Westinghouse Breaker Maintenance Manual
- 10. Overcoming Reading Challenges
 - Dealing with Digital Eye Strain
 - Minimizing Distractions
 - Managing Screen Time
- 11. Cultivating a Reading Routine Westinghouse Breaker Maintenance Manual
 - Setting Reading Goals Westinghouse Breaker Maintenance Manual
 - Carving Out Dedicated Reading Time
- 12. Sourcing Reliable Information of Westinghouse Breaker Maintenance Manual
 - Fact-Checking eBook Content of Westinghouse Breaker Maintenance Manual
 - Distinguishing Credible Sources

13. Promoting Lifelong Learning
 - Utilizing eBooks for Skill Development
 - Exploring Educational eBooks
14. Embracing eBook Trends
 - Integration of Multimedia Elements
 - Interactive and Gamified eBooks

Westinghouse Breaker Maintenance Manual Introduction

In the digital age, access to information has become easier than ever before. The ability to download Westinghouse Breaker Maintenance Manual has revolutionized the way we consume written content. Whether you are a student looking for course material, an avid reader searching for your next favorite book, or a professional seeking research papers, the option to download Westinghouse Breaker Maintenance Manual has opened up a world of possibilities. Downloading Westinghouse Breaker Maintenance Manual provides numerous advantages over physical copies of books and documents. Firstly, it is incredibly convenient. Gone are the days of carrying around heavy textbooks or bulky folders filled with papers. With the click of a button, you can gain immediate access to valuable resources on any device. This convenience allows for efficient studying, researching, and reading on the go. Moreover, the cost-effective nature of downloading Westinghouse Breaker Maintenance Manual has democratized knowledge. Traditional books and academic journals can be expensive, making it difficult for individuals with limited financial resources to access information. By offering free PDF downloads, publishers and authors are enabling a wider audience to benefit from their work. This inclusivity promotes equal opportunities for learning and personal growth. There are numerous websites and platforms where individuals can download Westinghouse Breaker Maintenance Manual. These websites range from academic databases offering research papers and journals to online libraries with an expansive collection of books from various genres. Many authors and publishers also upload their work to specific websites, granting readers access to their content without any charge. These platforms not only provide access to existing literature but also serve as an excellent platform for undiscovered authors to share their work with the world. However, it is essential to be cautious while downloading Westinghouse Breaker Maintenance Manual. Some websites may offer pirated or illegally obtained copies of copyrighted material. Engaging in such activities not only violates copyright laws but also undermines the efforts of authors, publishers, and researchers. To ensure ethical downloading, it is advisable to utilize reputable websites that prioritize the legal distribution of content. When downloading Westinghouse Breaker Maintenance Manual, users should also consider the potential security risks associated with online platforms. Malicious actors may exploit vulnerabilities in unprotected websites to distribute malware or steal personal information. To protect

themselves, individuals should ensure their devices have reliable antivirus software installed and validate the legitimacy of the websites they are downloading from. In conclusion, the ability to download Westinghouse Breaker Maintenance Manual has transformed the way we access information. With the convenience, cost-effectiveness, and accessibility it offers, free PDF downloads have become a popular choice for students, researchers, and book lovers worldwide. However, it is crucial to engage in ethical downloading practices and prioritize personal security when utilizing online platforms. By doing so, individuals can make the most of the vast array of free PDF resources available and embark on a journey of continuous learning and intellectual growth.

FAQs About Westinghouse Breaker Maintenance Manual Books

How do I know which eBook platform is the best for me? Finding the best eBook platform depends on your reading preferences and device compatibility. Research different platforms, read user reviews, and explore their features before making a choice. Are free eBooks of good quality? Yes, many reputable platforms offer high-quality free eBooks, including classics and public domain works. However, make sure to verify the source to ensure the eBook credibility. Can I read eBooks without an eReader? Absolutely! Most eBook platforms offer web-based readers or mobile apps that allow you to read eBooks on your computer, tablet, or smartphone. How do I avoid digital eye strain while reading eBooks? To prevent digital eye strain, take regular breaks, adjust the font size and background color, and ensure proper lighting while reading eBooks. What the advantage of interactive eBooks? Interactive eBooks incorporate multimedia elements, quizzes, and activities, enhancing the reader engagement and providing a more immersive learning experience. Westinghouse Breaker Maintenance Manual is one of the best book in our library for free trial. We provide copy of Westinghouse Breaker Maintenance Manual in digital format, so the resources that you find are reliable. There are also many Ebooks of related with Westinghouse Breaker Maintenance Manual. Where to download Westinghouse Breaker Maintenance Manual online for free? Are you looking for Westinghouse Breaker Maintenance Manual PDF? This is definitely going to save you time and cash in something you should think about.

Find Westinghouse Breaker Maintenance Manual :

[toyota highlander 2012 limited owners manual](#)

[toyota corolla verso fuse diagram](#)

[**toyota lexcen manual**](#)

toyota coaster owners manual

toyota dyna 1984 1994 workshop repair manual

toyota fielder 2015 car manual

toyota corolla haynes manual torrent

toyota corolla dx 96 service manual

toyota corolla corolla service manual

toyota corolla ascent service manual

toyota hiace 2015 service manual

toyota hiace electrical manual

toyota harrier car

~~toyota corolla 2001 repair manual~~

toyota corolla 1988 service repair manual

Westinghouse Breaker Maintenance Manual :

summary of the story basti pdf partition of india novels - Mar 23 2022

web basti is a well received novel by the pakistani novelist intizar husain originally published in urdu in 1979 it caught attention of the readers worldwide with its translation in english by frances w pritchett and introduction by asif farrukhi in 2007

memories of a lost home intizar husain s basti academia edu - Apr 23 2022

web basti is a story of displacement and dilemma and the characters in the novel experience it on physical as well as on the psychological grounds the theoretical insight is taken from the works of edward said and homi bhabha

books by intizar husain author of basti goodreads - Jul 07 2023

web intizar husain has 72 books on goodreads with 7776 ratings intizar husain s most popular book is basti new york review books classics

basti by intizar husain ebook barnes noble - Nov 30 2022

web aug 22 2021 basti is a beautifully written reckoning with the tragic history of pakistan basti means settlement a common place and intizar husain s extraordinary novel begins with a mythic even mystic vision of harmony between old and young man and woman muslim and hindu then zakir the hero wakes to the modern world crowds gather

basti literary hub - Aug 08 2023

web feb 5 2016 basti intizar husain trans frances w pritchett february 5 2016 share more the following is from intizar husain

novel *basti* husain 1925 2016 was a journalist short story writer and novelist widely considered one of the most significant fiction writers in urdu

[intizar husain author of *basti* goodreads](#) - Jan 01 2023

web feb 2 2016 other people s history can be read comfortably the way a novel can be read comfortably by my own history i m on the run from my own history and catching my breath in the present escapist but the merciless present pushes us back again toward our history the mind keeps talking intizar husain *basti*

***basti* by intizar husain librarything** - Sep 28 2022

web an nyrb classics original *basti* is a beautifully written reckoning with the tragic history of pakistan *basti* means settlement a common place and intizar husain s extraordinary novel begins with a mythic even mystic vision of harmony between old and young man and woman muslim and hindu then zakir the hero wakes to the modern world

***basti* intizar husain complete review** - Feb 02 2023

web feb 7 2013 *basti* in spite of its engagement with grand issues is a miniaturist s novel interwoven into its linear if elliptical narrative are diaries letters dreams and memories that navigate the pre islamic mahabharata the 18th century invasion of delhi by persian armies and the so called mutiny of 1857 aamer hussein the independent

basti by intizar husain penguin books australia - Mar 03 2023

web nov 15 2012 *basti* is a beautifully written reckoning with the tragic history of pakistan *basti* means settlement a common place and intizar husain s extraordinary novel begins with a mythic even mystic vision of harmony between old and young man and woman muslim and hindu then zakir the hero wakes to the modern world crowds gather

basti new york review books - Apr 04 2023

web *basti* means settlement a common place and intizar husain s extraordinary novel begins with a mythic even mystic vision of harmony between old and young man and woman muslim and hindu then zakir the hero wakes to the modern world crowds gather slogans echo cities burn

*kamila shamsie on intizar hussain s novel *basti* literary hub* - May 05 2023

web feb 5 2016 such a writer is intizar hussain such a novel is *basti* *basti* a word which might refer equally to a group of houses or a sprawling metropolis works beautifully as a title for a novel that is vast and yet concentrated on the life of an individual zakir who starts as a boy in british india is a young man in east and west pakistan and

basti by intizar husain 9781590175828 penguin random house - Jun 06 2023

web *basti* means settlement a common place and intizar husain s extraordinary novel begins with a mythic even mystic vision of harmony between old and young man and woman muslim and hindu then zakir the hero wakes to the modern world

[basti intizar husain google books](#) - Sep 09 2023

web dec 26 2012 basti means settlement a common place and intizar husain s extraordinary novel begins with a mythic even mystic vision of harmony between old and young man and woman muslim and hindu

intizar hussain wikipedia - Feb 19 2022

web the seventh door leaves and basti are among his books that have been translated into english among the five novels he wrote chaand gahan 1952 din aur daastaan 1959 basti 1980 tazkira 1987 aage samandar hai 1995 basti received global praise

basti by intizar husain translated from the urdu by frances w - May 25 2022

web basti by intizar husain translated from the urdu by frances w pritchett b a s t i by intizar husain 1979 translated from the urdu by frances w pritchett 1995 2nd ed 2000 introduction by muhammad umar memon 1995

basti by intizar husain asif farrukhi ebook scribd - Oct 30 2022

web an nyrb classics original basti is a beautifully written reckoning with the tragic history of pakistan basti means settlement a common place and intizar husain s extraordinary novel begins with a mythic even mystic vision of harmony between old and young man and woman muslim and hindu then zakir the hero wakes to the modern world

basti rekhta - Jul 27 2022

web intizar hussain was the first pakistani writer to be shortlisted for the man Booker prize he was also awarded sitara e imtiaz by the government of pakistan and the kamal e fann award the highest literary award of pakistan by the academy of literature of pakistan

basti novel by intizar hussain adabi zouq - Jun 25 2022

web jul 29 2023 a landmark novel on partition literature basti novel stands out for its powerful storytelling and its treatment of pertinent themes like belonging and identity widely considered husain s magnum opus it has cemented his reputation as a *cover story basti by intizar husain newspaper dawn com* - Aug 28 2022

web feb 17 2013 basti at the outset is the tale of a reminiscing zakir the novel s protagonist who is a professor of history and a migrant to his new homeland from across the border the novel primarily

basti new york review books classics by intizar husain goodreads - Oct 10 2023

web jan 1 2001 basti intizar husain frances w prichett translator asif farrukhi introduction 3 70 668 ratings 105 reviews basti is the great pakistani novel a beautifully written brilliantly inventive reckoning with the violent history of a country whose turbulence ambitions and uncertainties increasingly concern the whole world

brecker yumpu - Jan 10 2023

web brecker and patterns en english deutsch français espagnol portuguese italiano român nederlands latina dansk svenska norsk magyar bahasa indonesia türkçe suomi latvian lithuanian český русский български unknown

brecker and patterns an analysis of michael brecker s melodic - May 14 2023

web t1 brecker and patterns t2 an analysis of michael brecker s melodic and instrumental devices au poutiainen ari py 1999 y1 1999 m3 master s thesis er

brecker and patterns help discoveram - Feb 28 2022

web a book brecker and patterns moreover it is not instantly done you could believe even more about this life nearly the world we remunerate for brecker and patterns and plentiful books assortments from fictions to scientific examinationh in any way

brecker and patterns darelova com - Apr 01 2022

web brecker and patterns brecker and patterns 1 downloaded from darelova com on 2023 01 01 by guest brecker and patterns right here we have countless books brecker and patterns and collections to check out we additionally allow variant types and with type of the books to browse the good enough book fiction history novel scientific research

broker design pattern stuart mathews - Jan 30 2022

web jan 29 2017 the broker pattern is used in designing distributed components that need to communicate but offloads managing the communication to the broker component the client and the server are usually the components that try to talk to each other both register with the broker by providing their location details and the broker

brecker and patterns taideyliopisto - Aug 17 2023

web brecker and patterns an analysis of michael brecker s melodic and instrumental devices abstract only a few scientific studies or articles exist on michael brecker s improvisational style the present work approaches michael brecker s style through a detailed analysis of his solos in the compositions straphangin nothing personal and

brecker and patterns help environment harvard edu - Apr 13 2023

web brecker and patterns is available in our book collection an online access to it is set as public so you can get it instantly our book servers saves in multiple countries allowing you to get the most less latency time to download any of our books like this one kindly say the brecker and patterns is universally compatible with any devices to read

broker pattern wikipedia - Jun 03 2022

web the broker pattern is an architectural pattern that can be used to structure distributed software systems with decoupled components that interact by remote procedure calls a broker component is responsible for coordinating communication such as forwarding requests as well as for transmitting results and exceptions

1991 51 brecke yumpu - Oct 07 2022

web brecker and patterns en english deutsch français español portuguê s italiano român nederlands latina dansk svenska norsk magyar bahasa indonesia türkçe suomi latvian lithuanian český русский български unknown

brecker and patterns an analysis of michael brecker s melodic - Jul 16 2023

web the patterns which are based on the aforementioned melodic and instrumental devices define a characteristic part of michael brecker s melodic vocabulary in addition to the discussion of such devices some additional comments were made about brecker s chromaticism and his playing inside the changes

f7 17 bæ æ æ bæ æ e7 yumpu - Aug 05 2022

web brecker and patterns en english deutsch français español portuguê s italiano român nederlands latina dansk svenska norsk magyar bahasa indonesia türkçe suomi latvian lithuanian český русский български unknown

chapter 1 introduction 1 yumpu - Dec 09 2022

web brecker and patterns en english deutsch français español portuguê s italiano român nederlands latina dansk svenska norsk magyar bahasa indonesia türkçe suomi latvian lithuanian český русский български unknown

brecker and patterns yumpu - Feb 11 2023

web apr 4 2013 start now strong brecker strong strong and strong strong patterns strong br an analysis of michael strong brecker strong s br melodic strong and strong instrumental devices br thesis for the degree of master of music br sibelius academy helsinki finl strong and strong br

accepted and yumpu - Nov 08 2022

web brecker and patterns en english deutsch français español portuguê s italiano român nederlands latina dansk svenska norsk magyar bahasa indonesia türkçe suomi latvian lithuanian český русский български unknown

pattern recognition breakers market structure youtube - May 02 2022

web oct 19 2017 there is risk in trading forex leave your comments on twitter at i am ict

primary references allen yumpu - Sep 06 2022

web brecker and patterns attention your epaper is waiting for publication by publishing your document the content will be optimally indexed by google via ai and sorted into the right category for over 500 million epaper readers on yumpu

brecker and patterns an analysis of michael brecker s melodic - Mar 12 2023

web brecker and patterns an analysis of michael brecker s melodic and instrumental devices original title patterns michael uploaded by smendes2 description asdasd copyright

brecker and patterns 178 128 217 59 - Jul 04 2022

web brecker and patterns michael brecker licks pdf wordpress com may 1st 2019 michael brecker licks pdf direct link 1 75 inches it is a powerful screwdriver the competition nowadays is tough so they must really do something that stands out from others fixed backroom advice link allowing user to repeat private chat c

pdf brecker and patterns helda dokumen tips - Jun 15 2023

web text of brecker and patterns helda microsoft word mbreccov docan analysis of michael brecker s melodic and instrumental devices thesis for the degree of master of music sibelius academy helsinki finland department of composition and music theory autumn 1998 spring 1999 ari poutiainen ari poutiainen 1999 all rights reserved

[f7 17 bœ œ œ bœ œ e7 yumpu](#) - Dec 29 2021

web brecker and patterns attention your epaper is waiting for publication by publishing your document the content will be optimally indexed by google via ai and sorted into the right category for over 500 million epaper readers on yumpu

[online test cfit interpreto](#) - Sep 22 2023

web what is the cfit online test the cfit is a psychometric aptitude test the cfit provides a measure of cognitive ability in the verbal numerical and spatial domains

mengenal tes intelegensi cfit culture fair intelligence test - Aug 21 2023

web dec 27 2022 cfit masuk dalam kategori tes non verbal dimana tidak menggunakan lisan maupun tulisan dalam pengerjaannya melainkan berupa gambar tes ini dapat disajikan secara individual maupun klasikal cfit dipergunakan untuk keperluan yang berkaitan dengan faktor kemampuan mental umum atau kecerdasan

culture fair intelligence scale cfit - Oct 23 2023

web aug 30 2019 test culture fair intelligence atau disingkat tes cfit terdiri dari 3 tiga skala yang disusun dalam form a dan form b secara paralel tes ini dibuat oleh raymond b cattel dan a karen s cattel serta sejumlah staff penelitian dari institute of personality and ability testing ipat di universitas illinois champaign amerika serikat tahun 1949

culture fair intelligence test apa psycnet - Apr 17 2023

web the culture fair intelligence test cfit cattell 1940 was developed to be a measure of intelligence without cultural biases aiming at deriving a culture free intelligence test based on a research of the literature the author finally decided on seven subtests mazes series classification progressive matrices i relation matrix first order progressive matrices ii

psychometric characteristics of the culture fair intelligence test - Jan 14 2023

web the cfit scale 2 and 3 consist of four subtests series classification matrices and typology saptoto 2018 the cfit scale 2 and 3 are more widely used because it is a classical test so it does not take long to administer cfit scale 2 and 3 indicate acceptable test retest reliability alternative forms and internal consistency

teori dan skala cfit culture fair intelligence test - Jun 19 2023

web alasannya yaitu perbedaan kebudayaan dapat mempengaruhi performance test hasil sehingga dikembangkan tes yang adil budaya culture fair antara lain cfit di test culture fair intelligence cfit terdiri dari 3 tiga skala yang disusun dalam form a *culture fair intelligence test cfit umm* - Jul 20 2023

web 1 nama tes nama asli culture fair test scale 2 and 3 form a dan form b nama indonesia a tes g skala 2a a7a b tes g skala

2b a7a c tes g skala 3a d tes g skala 3b 2 sejarah raymond b cattel dan karen s cattel menyusun tes cfit culture fair intelligence test pada tahun 1940

tes cfit online nsd - May 18 2023

web tes cfit culture fair intelligence test adalah tes yang dirancang khusus untuk meminimalisir pengaruh verbal pada kecerdasan pengaruh dan kondisi budaya serta tingkat pendidikan seseorang cattel cattel 2006 test cfit berusaha menghindari unsur bahasa kecepatan dan hal hal yang terikat dengan budaya

apa itu tes cfit dan apa saja yang bisa diungkap - Feb 15 2023

web nov 25 2022 cfit atau culture fair intelligence tes merupakan jenis psikotes yang dapat mengungkap intelegensi seseorang uniknya tes ini bebas dari unsur budaya dalam proses penyusunannya untuk info lebih lengkapnya silahkan simak artikel berikut admin logos november 25 2022 pio 4392 views tes cfit

pdf psychometric characteristics of the culture fair - Mar 16 2023

web nov 25 2022 pdf this study aims to investigate the psychometric characteristics of the cfit scale 2 including investigation of difficulty level discrimination find read and cite all the research