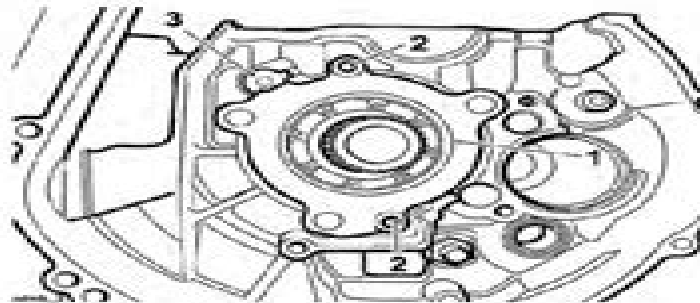


- Insert two M6 bolts into the two threaded holes at the periphery of the bearing housing. Evenly and progressively tighten both bolts to draw the bearing housing and input shaft from the crankcase.



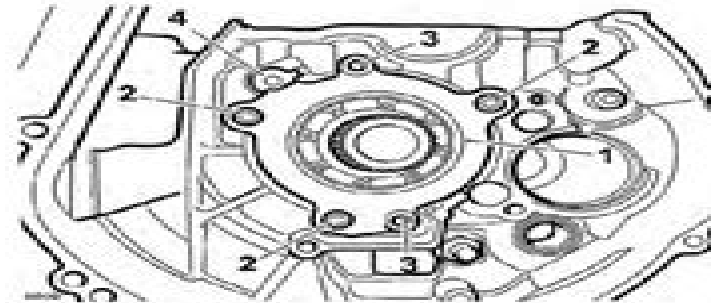
- Bearing housing
- M6 threaded holes
- Transmission oil tube

- If required, the transmission oil tube can now be removed. Remove and discard the three oil tube O-rings.

Installation

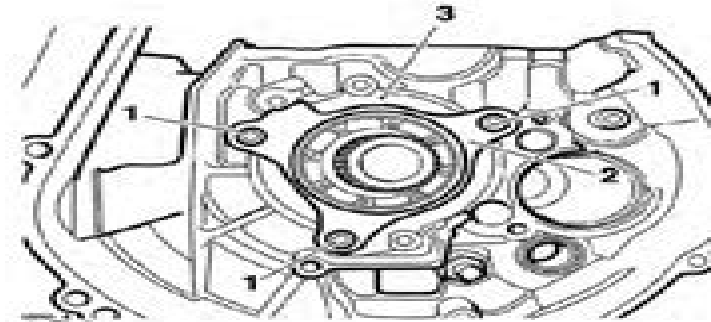
- If removed, check the transmission oil tube for blockages and contamination. Carefully fit new O-rings to the transmission oil tube and insert the tube into the crankcase, ensuring the tag on the tube locates in the slot in the crankcase.
- Locate the input shaft to the upper crankcase, installing it through the aperture for the bearing housing.
- Fit the bearing housing into the aperture, by hand, as deeply as possible.

- Using the old fixings, evenly and progressively tighten them to draw the bearing housing into the upper crankcase until fully home. Remove and discard the fixings.



- Bearing housing
- Fixings
- M6 threaded holes
- Transmission oil tube

- Fit the retaining plate. Install new fixings and tighten to 12 Nm.



- Fixings
- Retaining plate
- Bearing housing

- Refit the selectors and shafts (see page 7-9).

Triumph Tiger 800 Xc Service Manual

TRIUMPH ENGINEERING CO.



Triumph Tiger 800 Xc Service Manual:

Triumph Tiger 800 (10 -19) Matthew Coombs,2019-12-05 **HM Triumph Tiger 800/800XC 2010-2019** Editors of Haynes Manuals,2021-01-19 Every Haynes manual is written specifically for the do it yourselfer from hands on experience based on a vehicle teardown using commonly available tools Step by step procedures are linked to hundreds of easy to follow photos and illustrations The manual includes a troubleshooting section to help identify specific problems valuable short cuts to make the job easier and eliminate the need for special tools and an easy to use index Complete coverage for your Triumph Tiger 800 covering production years 2010 thru 2019 Routine Maintenance Tune up procedures Engine clutch and transmission repair Cooling system Fuel and exhaust Ignition and electrical systems Brakes wheels and tires Steering suspension and final drive Frame and bodywork Color Wiring diagrams With a Haynes manual you can do it yourself from simple maintenance to basic repairs Whether you re a beginner or a pro you can save big with Haynes Step by step procedures Easy to follow photos Comprehensive routine maintenance and fault diagnosis sections Detailed wiring diagrams Color spark plug diagnosis Models covered include Triumph Tiger 800 799cc 2010 2019 Triumph Tiger 800 XR 799cc 2010 2019 Triumph Tiger 800 XRX 799cc 2010 2019 Triumph Tiger 800 XRT 799cc 2010 2019 Triumph Tiger 800 XC 799cc 2010 2019 Triumph Tiger 800 XCX 799cc *Triumph Tiger 800/800XC, '10-'14* Haynes Publishing,2015-07-15 Complete coverage of your Triumph Tiger 800 10 14 **Mechanix Illustrated** ,1982 **Workshop Manual for Triumph Tiger Cub Models T15, T20, T20c, T20s** TRIUMPH ENGINEERING CO.,1964 **Cycle World** ,1988 *Triumph Tiger Cub and Terrier Owners Workshop Manual* John Haynes,1965-06-01 Haynes offers the best coverage for cars trucks vans SUVs and motorcycles on the market today Each manual contains easy to follow step by step instructions linked to hundreds of photographs and illustrations Included in every manual troubleshooting section to help identify specific problems tips that give valuable short cuts to make the job easier and eliminate the need for special tools notes cautions and warnings for the home mechanic color spark plug diagnosis and an easy to use index **Triumph Daytona, Speed Triple, Sprint & Tiger Max** Haynes,2014-12-01 Complete coverage for your Triumph Daytona covering Daytona Speed Triple Sprint and Tiger 885cc and 955 cc models for 1997 to 2005 Does not include the 1050cc Speed Triple or Sprint Routine Maintenance and servicing Tune up procedures Engine clutch and transmission repair Cooling system Fuel and exhaust Ignition and electrical systems Brakes wheels and tires Steering suspension and final drive Frame and bodywork Wiring diagrams Reference Section

Triumph Tiger Cub and Terrier Owners Workshop Manual John Haynes,1965-06-01 Haynes offers the best coverage for cars trucks vans SUVs and motorcycles on the market today Each manual contains easy to follow step by step instructions linked to hundreds of photographs and illustrations Included in every manual troubleshooting section to help identify specific problems tips that give valuable short cuts to make the job easier and eliminate the need for special tools notes cautions and warnings for the home mechanic color spark plug diagnosis and an easy to use index Triumph 1050 Sprint ST, Speed

Triple, and Tiger Service and Repair Manual Matthew Coombs,2014-01-01 This is another title in the ever popular Haynes vehicle maintenance range this edition covering the Triumph 1050 Sprint ST Speed Triple and Tiger models from 2005 until 2013 Step by step instructions are provided with hundreds of illustrations and photographs to aid the budding or experienced vehicle maintainer

Triumph Motorcycles Illustrated Workshop Manual 1937-1951 Floyd Clymer,2007-01-01 1935 to 1939 MODELS An Illustrated Workshop Manual Covering Pre War Triumph Twin And Single Cylinder Motorcycles From 1935 To 1939 After the outbreak of war in September 1939 all of the Triumph motorcycles constructed were destined for military use civilian production did not resume again until 1946 This is a faithful reproduction of the 1939 Floyd Clymer E T Brown Workshop Manual originally published in the US in 1947 It includes repair and maintenance data for rigid frame pre war single cylinder SV OHV and twin cylinder OHV Triumph motorcycles from 1935 to 1939 Much more detailed than the owner s handbook this manual provides the information necessary for the overhaul of engines carburetors clutches gear boxes forks electrics etc essential information for the enthusiast owner or restorer of these classic motorcycles Measuring 5 5 x 8 5 with 96 pages and 56 illustrations Applicable To The Following Models L2 1 2 1 2 5 3 1 3 2 3 5 5 1 5 2 5 3 5 4 5 5 10 6 1 Tiger 70 Tiger 80 Tiger 90 2H Tiger 70C 3S 3H Tiger 80C 5H Tiger 90C 6S 2HC 3SC 5T Speed Twin 5S and T100 Tiger 100 Includes Maintenance And Repair Data For The Following Engines Single Cylinder 250cc OHV 350cc SV 350cc OHV 500cc SV 500cc OHV 550cc SV and 600cc SV Twin Cylinder 500cc OHV and 650cc OHV

Triumph TR7 Service and Repair Manual John Harold Haynes,Peter Ward,2014-06 This is one in a series of manuals for car or motorcycle owners Each book provides information on routine maintenance and servicing with tasks described and photographed in a step by step sequence so that even a novice can do the work

HM Triumph TR 2 3 3A 4. 4A 1952 - 1967 OP Haynes,2013-08 This is one in a series of manuals for car or motorcycle owners Each book provides information on routine maintenance and servicing with tasks described and photographed in a step by step sequence so that even a novice can do the work

Triumph Workshop Manual for Bonneville 750 and Tiger 750 Unit Construction Twins ,198? Triumph Service Manual ,1999 **Triumph Motorcycles Illustrated Workshop Manual 1945-1955** Floyd Clymer,2007-02-01 1945 to 1955 and later Models An illustrated workshop manual covering Triumph twin cylinder motorcycles from 1945 to 1955 This is a faithful reproduction of the Factory Workshop Manual No 11 originally published in the US by Floyd Clymer The major revision in the later pre unit factory manuals was the addition of technical specifications for the T120 Bonneville 1959 Unfortunately those revisions also included the deletion of repair data for rigid frame sprung hub and 3T models This makes the Factory Workshop Manual No 11 the most comprehensive workshop manual available for pre unit twin cylinder Triumph motorcycles up to and including 1962 models as it includes repair and maintenance data for the full line of rigid frame sprung hub swing arm and 350cc models Much more detailed than the owner s handbook this manual provides the information necessary for the overhaul of engines gear boxes frames swing arm forks wheels hubs carburetors electrics etc

essential information for the enthusiast owner or restorer of these classic motorcycles Size 5 5 x 8 5 with 224 pages and 84 illustrations includes 8 pages of detailed technical specification charts and both an illustration index and a comprehensive index of contents Applicable to the following models 5T Speed Twin T100 Tiger 100 TR5 Trophy 6T Thunderbird T110 Tiger 110 and 3T De Luxe Includes maintenance and repair data for the following engines Twin Cylinder 350cc OHV 500cc OHV and 650cc OHV

SERVICE AND MAINTENANCE MANUAL TRIUMPH MOTORCYCLES 1935-1949 BROWN F.T & DAVIES A. C.,2009 *Triumph Stag Owner's Workshop Manual*. John Harold Haynes,2012-12 A service and repair manual for the Triumph Stag

Triumph Motorcycles 1937-1961 Single Cylinder Workshop Manual - All Models 1937-1945 Plus Terrier & Tiger Cub 1953-1961 ,2024-02-03 204 pages and more than 100 illustrations and charts size 5 5 x 8 5 inches Originally published under a similar title this publication is a faithful reproduction of the A St J Masters 1961 5th edition of the 1937 1961 Triumph Single Cylinder workshop manual published in the USA by Floyd Clymer under arrangement with the original publishers C Arthur Pearson Ltd of London UK There are very few workshop manuals that deal with the early single cylinder Triumph motorcycles This is likely due to the fact that in 1945 at the end of WW2 when Triumph resumed production of their civilian line of motorcycles they discontinued the manufacture of single cylinder machines From that point onwards they concentrated on their twin cylinder models and it was not until 1952 that Triumph announced another single the 150cc T15 Terrier SINGLE CYLINDER ALL MODELS 1937 1945 When this manual was originally published in 1949 its primary focus was on the 1937 to 1945 single cylinder motorcycles which included a war surplus market that was well stocked with ex military singles Models covered are 2H 2HC 3S 3SE 3SW 3H 3HW 5S 5SE 5SW 5H 6S T70 T80 T90 The bulk of these machines were based on a design that dates back to 1934 which also makes this manual of use to owners of those earlier Triumph singles TERRIER TIGER CUB 1953 1961 Ultimately the 1961 5th edition of this manual was revised and expanded to include the 1953 1961 Terrier and Tiger Cub models The information included is appropriate for all T15 T20 T20C T20S models fitted with an external distributor The engine section includes the 1960 change to energy transfer ignition plus the change at engine number 57617 when the split line between the main castings was moved to the center line of the cylinder Many Triumph enthusiasts consider that the external distributor Tiger Cub models brought the true Triumph single cylinder line to a conclusion This is further supported by the fact that the final workshop manual for the T15 T20 T20C T20S published under the Triumph name was the August 1964 manual No 8 part number 906 64 which only included the external distributor models In addition under BSA ownership the Tiger Cub engine had previously been utilized as the basis for the 1959 BSA C15 and ultimately by the BSA Bantam Cub series from 1966 onwards Unfortunately Triumph motorcycle owners are subjected to considerable confusion surrounding the appropriate selection from the multitude of originals and reprints of the various manuals that have recently flooded the online marketplace We encourage you to exercise caution when purchasing a manual for your motorcycle or automobile as many of

the reprints found on internet websites are from bedroom sellers at enticingly low prices by individuals that really have no idea what they are selling Many are nothing more than poor quality comb bound photocopies that are scanned and printed complete with greasy pages and thumbprints and as such are deceptively described as pre owned used or even refurbished In addition they are often advertised for the incorrect series and or model years **Triumph 1050 Sprint ST, Speed Triple and Tiger (04-09)** Matthew Coombs,2009 Sprint ST 1050cc 05 09 Speed Triple 1050cc 05 09 Tiger 1050cc 07 09

This is likewise one of the factors by obtaining the soft documents of this **Triumph Tiger 800 Xc Service Manual** by online. You might not require more get older to spend to go to the books inauguration as competently as search for them. In some cases, you likewise reach not discover the revelation Triumph Tiger 800 Xc Service Manual that you are looking for. It will unconditionally squander the time.

However below, once you visit this web page, it will be in view of that agreed simple to get as without difficulty as download guide Triumph Tiger 800 Xc Service Manual

It will not acknowledge many times as we notify before. You can get it even though piece of legislation something else at home and even in your workplace. appropriately easy! So, are you question? Just exercise just what we come up with the money for below as well as review **Triumph Tiger 800 Xc Service Manual** what you subsequently to read!

<https://ftp.barnabastoday.com/public/detail/Documents/tractor%20service%20manual%20john%20deere%20lawn.pdf>

Table of Contents Triumph Tiger 800 Xc Service Manual

1. Understanding the eBook Triumph Tiger 800 Xc Service Manual
 - The Rise of Digital Reading Triumph Tiger 800 Xc Service Manual
 - Advantages of eBooks Over Traditional Books
2. Identifying Triumph Tiger 800 Xc Service Manual
 - Exploring Different Genres
 - Considering Fiction vs. Non-Fiction
 - Determining Your Reading Goals
3. Choosing the Right eBook Platform
 - Popular eBook Platforms
 - Features to Look for in an Triumph Tiger 800 Xc Service Manual
 - User-Friendly Interface
4. Exploring eBook Recommendations from Triumph Tiger 800 Xc Service Manual

- Personalized Recommendations
 - Triumph Tiger 800 Xc Service Manual User Reviews and Ratings
 - Triumph Tiger 800 Xc Service Manual and Bestseller Lists
5. Accessing Triumph Tiger 800 Xc Service Manual Free and Paid eBooks
 - Triumph Tiger 800 Xc Service Manual Public Domain eBooks
 - Triumph Tiger 800 Xc Service Manual eBook Subscription Services
 - Triumph Tiger 800 Xc Service Manual Budget-Friendly Options
 6. Navigating Triumph Tiger 800 Xc Service Manual eBook Formats
 - ePub, PDF, MOBI, and More
 - Triumph Tiger 800 Xc Service Manual Compatibility with Devices
 - Triumph Tiger 800 Xc Service Manual Enhanced eBook Features
 7. Enhancing Your Reading Experience
 - Adjustable Fonts and Text Sizes of Triumph Tiger 800 Xc Service Manual
 - Highlighting and Note-Taking Triumph Tiger 800 Xc Service Manual
 - Interactive Elements Triumph Tiger 800 Xc Service Manual
 8. Staying Engaged with Triumph Tiger 800 Xc Service Manual
 - Joining Online Reading Communities
 - Participating in Virtual Book Clubs
 - Following Authors and Publishers Triumph Tiger 800 Xc Service Manual
 9. Balancing eBooks and Physical Books Triumph Tiger 800 Xc Service Manual
 - Benefits of a Digital Library
 - Creating a Diverse Reading Collection Triumph Tiger 800 Xc Service Manual
 10. Overcoming Reading Challenges
 - Dealing with Digital Eye Strain
 - Minimizing Distractions
 - Managing Screen Time
 11. Cultivating a Reading Routine Triumph Tiger 800 Xc Service Manual
 - Setting Reading Goals Triumph Tiger 800 Xc Service Manual
 - Carving Out Dedicated Reading Time
 12. Sourcing Reliable Information of Triumph Tiger 800 Xc Service Manual

-
- Fact-Checking eBook Content of Triumph Tiger 800 Xc Service Manual
 - Distinguishing Credible Sources
13. Promoting Lifelong Learning
- Utilizing eBooks for Skill Development
 - Exploring Educational eBooks
14. Embracing eBook Trends
- Integration of Multimedia Elements
 - Interactive and Gamified eBooks

Triumph Tiger 800 Xc Service Manual Introduction

Free PDF Books and Manuals for Download: Unlocking Knowledge at Your Fingertips In today's fast-paced digital age, obtaining valuable knowledge has become easier than ever. Thanks to the internet, a vast array of books and manuals are now available for free download in PDF format. Whether you are a student, professional, or simply an avid reader, this treasure trove of downloadable resources offers a wealth of information, conveniently accessible anytime, anywhere. The advent of online libraries and platforms dedicated to sharing knowledge has revolutionized the way we consume information. No longer confined to physical libraries or bookstores, readers can now access an extensive collection of digital books and manuals with just a few clicks. These resources, available in PDF, Microsoft Word, and PowerPoint formats, cater to a wide range of interests, including literature, technology, science, history, and much more. One notable platform where you can explore and download free Triumph Tiger 800 Xc Service Manual PDF books and manuals is the internet's largest free library. Hosted online, this catalog compiles a vast assortment of documents, making it a veritable goldmine of knowledge. With its easy-to-use website interface and customizable PDF generator, this platform offers a user-friendly experience, allowing individuals to effortlessly navigate and access the information they seek. The availability of free PDF books and manuals on this platform demonstrates its commitment to democratizing education and empowering individuals with the tools needed to succeed in their chosen fields. It allows anyone, regardless of their background or financial limitations, to expand their horizons and gain insights from experts in various disciplines. One of the most significant advantages of downloading PDF books and manuals lies in their portability. Unlike physical copies, digital books can be stored and carried on a single device, such as a tablet or smartphone, saving valuable space and weight. This convenience makes it possible for readers to have their entire library at their fingertips, whether they are commuting, traveling, or simply enjoying a lazy afternoon at home. Additionally, digital files are easily searchable, enabling readers to locate specific information within seconds. With a few keystrokes, users can search for keywords, topics, or phrases, making research and finding relevant information a breeze.

This efficiency saves time and effort, streamlining the learning process and allowing individuals to focus on extracting the information they need. Furthermore, the availability of free PDF books and manuals fosters a culture of continuous learning. By removing financial barriers, more people can access educational resources and pursue lifelong learning, contributing to personal growth and professional development. This democratization of knowledge promotes intellectual curiosity and empowers individuals to become lifelong learners, promoting progress and innovation in various fields. It is worth noting that while accessing free Triumph Tiger 800 Xc Service Manual PDF books and manuals is convenient and cost-effective, it is vital to respect copyright laws and intellectual property rights. Platforms offering free downloads often operate within legal boundaries, ensuring that the materials they provide are either in the public domain or authorized for distribution. By adhering to copyright laws, users can enjoy the benefits of free access to knowledge while supporting the authors and publishers who make these resources available. In conclusion, the availability of Triumph Tiger 800 Xc Service Manual free PDF books and manuals for download has revolutionized the way we access and consume knowledge. With just a few clicks, individuals can explore a vast collection of resources across different disciplines, all free of charge. This accessibility empowers individuals to become lifelong learners, contributing to personal growth, professional development, and the advancement of society as a whole. So why not unlock a world of knowledge today? Start exploring the vast sea of free PDF books and manuals waiting to be discovered right at your fingertips.

FAQs About Triumph Tiger 800 Xc Service Manual Books

How do I know which eBook platform is the best for me? Finding the best eBook platform depends on your reading preferences and device compatibility. Research different platforms, read user reviews, and explore their features before making a choice. Are free eBooks of good quality? Yes, many reputable platforms offer high-quality free eBooks, including classics and public domain works. However, make sure to verify the source to ensure the eBook credibility. Can I read eBooks without an eReader? Absolutely! Most eBook platforms offer web-based readers or mobile apps that allow you to read eBooks on your computer, tablet, or smartphone. How do I avoid digital eye strain while reading eBooks? To prevent digital eye strain, take regular breaks, adjust the font size and background color, and ensure proper lighting while reading eBooks. What the advantage of interactive eBooks? Interactive eBooks incorporate multimedia elements, quizzes, and activities, enhancing the reader engagement and providing a more immersive learning experience. Triumph Tiger 800 Xc Service Manual is one of the best book in our library for free trial. We provide copy of Triumph Tiger 800 Xc Service Manual in digital format, so the resources that you find are reliable. There are also many Ebooks of related with Triumph Tiger 800 Xc Service Manual. Where to download Triumph Tiger 800 Xc Service Manual online for free? Are you looking for Triumph Tiger

800 Xc Service Manual PDF? This is definitely going to save you time and cash in something you should think about.

Find Triumph Tiger 800 Xc Service Manual :

tractor service manual john deere lawn

toyota rav4 2013 manual transmission

trail running barcelona outdoor desnivel

training abschlusspr fung hauptschule niedersachsen deutsch

toyota vios 2004 manual

tracker repair manual

toyota tacoma oem repair manual

trading chaos applying expert techniques to maximize your profits a marketplace book

toyota tercel 2e repair manual

trade of the tricks the tricks brand

toyota rav4 electrical wiring diagram manual

toyota repair manual land cruiser engine assemble

toyota reach truck manual

toyota tundra authorized repair manual

trace shapes workbook grades preschool k big skills for little hands

Triumph Tiger 800 Xc Service Manual :

anthropology appreciating human diversity conrad phillip kottak - Jun 10 2023

web sep 9 2014 a leading name in anthropology conrad philip kottak continues to define student learning in the general anthropology course anthropology appreciating human diversity offers an up to date holistic introduction to

anthropology appreciating human diversity kottak conrad - Oct 02 2022

web a leading name in anthropology conrad philip kottak continues to define student learning in the general anthropology course anthropology appreciating human diversity offers an up to date holistic introduction to general anthropology from the four

anthropology appreciating human diversity mcgraw hill - Oct 14 2023

web get the 19e of anthropology appreciating human diversity by conrad kottak and scott lukas textbook ebook and other

options isbn 9781260259292 copyright 2022

anthropology appreciating human diversity mcgraw hill - Nov 03 2022

web anthropology appreciating human diversity 19 e conrad phillip kottak university of michigan to learn more about the book this website supports please visit its information center

anthropology appreciating human diversity conrad kottak - Jul 11 2023

web feb 4 2010 conrad kottak mcgraw hill education feb 4 2010 social science 720 pages focused on the appreciation of anthropology the new edition of anthropology appreciating human diversity offers

anthropology appreciating human diversity 19th edition - Dec 04 2022

web anthropology appreciating human diversity 19th edition is written by conrad phillip kottak and published by mcgraw hill higher education the digital and etextbook isbns for anthropology appreciating human diversity are 9781260711523

1260711528 and the print isbns are 9781260259292 1260259293

anthropology appreciating human diversity by conrad kottak goodreads - Mar 07 2023

web feb 24 2021 now in its 19th edition anthropology appreciating human diversity is an introduction to general four field anthropology it covers the four subfields biological anthropology anthropological archaeology cultural anthropology and linguistic anthropology as well as anthropology s two dimensions academic and applied

pdf emailing conrad p kottak cultural anthropology appreciating - Jul 31 2022

web human diversity anthropology the exploration of human diversity in time and space interested in the diversity that comes from human adaptability humans are among the world s most adaptable animals anthropology the study of the human species and its immediate ancestors

cultural anthropology appreciating cultural diversity kottak - May 09 2023

web a leading name in anthropology conrad philip kottak continues to define student learning in the cultural anthropology course cultural anthropology appreciating human diversity offers an up to date holistic introduction to general anthropology from the four field perspective

anthropology appreciating human diversity amazon com - Aug 12 2023

web oct 5 2012 a leading name in anthropology conrad philip kottak continues to define student learning in the general anthropology course anthropology appreciating human diversity offers an up to date holistic introduction to

anthropology appreciating human diversity conrad phillip kottak - Jun 29 2022

web anthropology appreciating human diversity by conrad phillip kottak isbn 10 0071221565 isbn 13 9780071221566 mcgraw hill higher education 2010 softcover

kottak anthropology appreciating human diversity 19 - Sep 01 2022

web kottak anthropology appreciating human diversity 19 1260259293 our commitment to accessibility creating accessible products is a priority for mcgraw hill education we have put in place processes to make accessibility and meeting the wcag aa guidelines part of our day to day development efforts and product

anthropology appreciating human diversity 16th edition chegg - May 29 2022

web sep 9 2014 conrad kottak textbook solutions only 15 95 mo textbook solutions only 15 95 mo solve your toughest problems with access to step by step textbook solutions for up to five 5 different textbooks per month including this one ability to post up to twenty new 20 questions per month

anthropology appreciating human diversity kottak conrad - Mar 27 2022

web anthropology appreciating human diversity by kottak conrad phillip publication date 2013 topics ethnology anthropology publisher new york mcgraw hill

kottak anthropology appreciating human diversity 18e perusall - Apr 27 2022

web catalog mcgraw hill higher education anthropology appreciating human diversity is a social learning platform that prepares students for class the platform incorporates a novel e book reader with collaborative annotation tools to ensure students learn more come to class prepared and become more engaged in the learning experience

citation cultural anthropology appreciating human diversity - Feb 23 2022

web mla kottak conrad phillip cultural anthropology appreciating human diversity new york mcgraw hill 2013 apa kottak conrad phillip 2013 cultural anthropology appreciating human diversity new york mcgraw hill chicago kottak conrad phillip cultural anthropology appreciating human diversity new york mcgraw hill 2013

anthropology appreciating human diversity semantic scholar - Apr 08 2023

web 2021 the question of the agro pastoral economy is un scrutinized within the academic discourse of pakistan these communities rely on herding and subsistence agriculture the former playing a significant expand pdf view 2 excerpts cites background cultural dimension of black representation of ammatoa community study of cultural semiotics

anthropology appreciating human diversity google books - Feb 06 2023

web anthropology appreciating human diversity author conrad p kottak edition 18 publisher mcgraw hill higher education 2018 isbn 1260167410 9781260167412 length 593 pages export

anthropology appreciating human diversity kottak conrad - Sep 13 2023

web anthropology appreciating human diversity by kottak conrad phillip publication date 2015 topics ethnology anthropology publisher new york mcgraw hill education

anthropology appreciating human diversity kottak conrad - Jan 05 2023

web nov 1 2018 there is a newer edition of this item looseleaf for anthropology appreciating human diversity 91 68 6 only

16 left in stock order soon isbn 9781260098280 is an international student edition of anthropology appreciating human diversity 18th edition by conrad phillip kottak this isbn 9781260098280 is textbook

elvis and me the true story of the love between priscilla - Mar 31 2022

web the new york times bestseller that reveals the intimate story of elvis presley and priscilla presley told by the woman who lived it decades after his death millions of fans continue to worship elvis the legend

elvis and me the true story of the love between priscilla - Jul 03 2022

web the new york times bestseller that reveals the intimate story of elvis presley and priscilla presley told by the woman who lived it decades after his death millions of fans continue to worship elvis the legend

elvis and me the true story of the love between priscilla - Nov 07 2022

web the 1 new york times bestselling memoir that reveals the intimate story of elvis presley and priscilla presley told by the woman who lived it the inspiration for the upcoming major motion

pdf epub elvis and me the true story of the love between - Jun 02 2022

web jun 2 2023 full book name elvis and me the true story of the love between priscilla presley and the king of rock n roll priscilla presley audiobook autobiography biography memoir memoir music nonfiction isbn 9780593639566 asin

elvis and me the true story of the love between priscilla - May 13 2023

web view kindle edition the 1 new york times bestselling memoir that reveals the intimate story of elvis presley and priscilla presley told by the woman who lived it the inspiration for the major motion picture priscilla directed by

elvis and me the true story of the love between priscilla - May 01 2022

web oct 10 2022 elvis and me the true story of the love between priscilla presley and the king of rock n roll paperback 2003 edition 0884609657755 amazon com books

elvis and me the true story of the love between priscilla - Jul 15 2023

web aug 1 1986 elvis and me the true story of the love between priscilla presley and the king of rock n roll priscilla beaulieu presley sandra harmon on amazon com free shipping on qualifying offers elvis and me the true story of the love between priscilla presley and the king of rock n roll

elvis and me the true story of the love between priscilla - Feb 27 2022

web compre online elvis and me the true story of the love between priscilla presley and the king of rock n roll de presley priscilla jarmon sandra harmon sandra na amazon frete grátis em milhares de produtos com o amazon prime

elvis and me the true story of the love between priscilla - Aug 16 2023

web elvis and me the true story of the love between priscilla presley and the king of rock n roll priscilla beaulieu presley amazon com tr kitap

elvis and me the true story of the love between priscilla - Mar 11 2023

web aug 23 2022 soon to be a major motion picture directed by sofia coppola the new york times bestseller that reveals the intimate story of elvis presley and priscilla presley told by the woman who lived it decades after his death millions of fans continue to worship elvis the legend but very few knew him as elvis the man

elvis and me the true story of the love between priscilla - Oct 06 2022

web aug 15 2017 booktopia has elvis and me the true story of the love between priscilla presley and the king of rock n roll by priscilla presley buy a discounted paperback of elvis and me online from australia s leading online bookstore

elvis and me the true story of the love between priscilla - Dec 08 2022

web elvis and me the true story of the love between priscilla presley and the king of rock n roll presley priscilla harmon sandra on amazon com au free shipping on eligible orders elvis and me the true story of the love between priscilla presley and

elvis and me the true story of the love between priscilla - Jan 09 2023

web elvis and me the true story of the love between priscilla presley and the king of rock n roll mass market paperback 15 august 2017 by priscilla presley author 4 6 4 358 ratings see all formats and editions kindle

[priscilla trailer revisits elvis and priscilla presley s love story](#) - Aug 04 2022

web jun 21 2023 the film is based on the 1986 memoir elvis and me the true story of the love between priscilla presley and the king of rock n roll which priscilla presley co wrote with author

elvis and me the true story of the love between priscilla - Apr 12 2023

web penguin aug 1 1986 biography autobiography 320 pages the 1 new york times bestselling memoir that reveals the intimate story of elvis presley and priscilla presley told by the woman

[elvis and me rotten tomatoes](#) - Jan 29 2022

web movie info courted at 14 by elvis dale midkiff and wed to him at 21 priscilla presley susan walters recalls their life times and divorce genre history drama biography

[elvis and me the true story of the love between priscilla](#) - Feb 10 2023

web aug 1 2023 the 1 new york times bestselling memoir that reveals the intimate story of elvis presley and priscilla presley told by the woman who lived it the inspiration for the upcoming major motion picture priscilla directed by sofia coppola decades after his death millions of fans continue to worship elvis the legend

elvis and me the true story of the love between priscilla - Sep 05 2022

web elvis and me the true story of the love between priscilla presley and the king of rock n roll miękka oprawa na rynek masowy ilustrowany 1 sierpnia 1986 wydanie angielski priscilla presley autor sandra harmon autor liczba ocen 1 854 zobacz

wszystkie formaty i wydania oprawa miękka 996 99 zł 1 nowe od 996 99 zł oprawa miękka

elvis and me 1988 youtube - Dec 28 2021

web jan 8 2013 copyright disclaimer under section 107 of the copyright act 1976 allowance is made for fair use for purposes such as criticism comment news reporting

elvis and me the true story of the love between priscilla - Jun 14 2023

web buy elvis and me the true story of the love between priscilla presley and the king of rock n roll illustrated by priscilla beaulieu presley sandra harmon isbn 9780425091036 from amazon s book store everyday low

log home kits with prices affordable complete log cabin kits - Feb 09 2023

web jun 16 2021 they come with prefabricated floor plans and materials that are used for the construction of your new log house black bear log home offers the best log kits on the market we have constructed over 200 log houses and our team of experts are ready to help you build your very own log cabin

build your own low cost log home by roger hard 1985 trade paperback - Jun 01 2022

web build your own low cost log home paperback by hard roger isbn 0882663992 isbn 13 9780882663999 brand new free shipping in the us provides step by step instructions and detailed plans for building a moderate sized two story log home from a pre cut manufacturer s kit or from freshly cut logs proceeding from site selection to

[build your own low cost log home by roger hard goodreads](#) - Nov 06 2022

web in this straightforward guide roger hard provides expert advice on building your own log home without breaking your budget step by step instructions and easy to follow diagrams cover everything from choosing a site and felling trees to

build your own low cost log home archive org - Sep 04 2022

web a line drawing of the internet archive headquarters building façade an illustration of a magnifying glass an illustration of a magnifying glass an illustration of a horizontal line over an up pointing arrow build your own low cost log home by hard roger 1931 publication date 1977 topics log cabins design and construction log

log home living log cabins floor plans house design - Jul 02 2022

web log home living is the definitive resource for log home floor plans inspiring home and cabin tours design and decor ideas construction advice log home maintenance tips and comprehensive listings of the finest log home and log cabin companies builders and craftsmen in north america all brought to you by the editors of log and timber home

how to build a log cabin that s low cost log home - Aug 15 2023

web 8 tips to building a low cost log cabin as affordable as it can be to build a log cabin you can make it even cheaper with a little planning here are eight ways to maximize your budget while building a cabin written by log home living editors photo by karsten winegeart unsplash

build your own log home without a mortgage - Oct 05 2022

web build your own log home using logs you can get free or cheap in your area and enjoy the feeling of waking up mortgage free every day for the rest of your life this log house was built by lhba students jeff katie barnes in big bear lake ca here s everything that s included the online log home boot camp 2 997 value

build your own low cost log home roger hard google books - Dec 27 2021

web if it s a log house you re considering built of your own logs or from a kit here is one of the best books on this popular subject country journal preview this book what people are saying write a review

build your own log home log home how to log home store building - Feb 26 2022

web bb105 build your own low cost log home with this book you ll learn basic construction techniques for both simple one store and more complex multi story dwellings shows information on building using both flat on flat and coped methods of building as well as how to erect a kit log shell

how to estimate log home construction costs - Dec 07 2022

web how to estimate costs on your log home construction project establishing an accurate cost is one of the challenges of purchasing any log home that has yet to be built the reason for this is simple it s impossible to know the true cost of construction until construction is completed

low cost log home building apple books - Aug 03 2022

web this book shows you how to make your own hand hewn log home by building your own low cost log home you can truly become self reliant own your own home and finally get off the grid troop emonds is a master log homebuilder who has been featured on the cover of mother earths news in low cost log home building troop shares his insights and

build your own low cost log home paperback jan 11 1985 - Jan 28 2022

web in this straightforward guide roger hard provides expert advice on building your own log home without breaking your budget step by step instructions and easy to follow diagrams cover everything from choosing a site and felling trees to

build your own low cost log home garden way publishing - Mar 10 2023

web jan 11 1985 in this straightforward guide roger hard provides expert advice on building your own log home without breaking your budget step by step instructions and easy to follow diagrams cover everything from choosing a site and felling trees to maintaining your house for years to come

build your own low cost log home archive org - May 12 2023

web mar 8 2021 build your own low cost log home the classic log cabin exudes a charm and simplicity that can t be matched in this straightforward guide roger hard provides expert advice on building your own log home without breaking your budget

18 tips for building a true off grid low cost log cabin athlon - Apr 11 2023

web may 3 2015 building a log cabin is like any other physical task there are tricks learned by doing and those revealed to those who have done it here are some of the tricks and insights that have come my way over the past 22 years of building with trees

build your own low cost log home roger hard google books - Jan 08 2023

web if you re considering building your own log house whether from your own logs or from a kit this comprehensive guide has all the information you need roger hard covers everything from choosing a site to planning the foundation and driveway shaping logs making corner joints erecting walls fitting joists adding decks or porches adding

build your own low cost log home garden way publishing - Mar 30 2022

web buy build your own low cost log home garden way publishing classic 2 by hard roger isbn 0037038003994 from amazon s book store everyday low prices and free delivery on eligible orders

log home plans floor plan designs blueprints - Apr 30 2022

web the best log home floor plans find 2 story house designs w garage 1 story modern open layouts small cabins w loft more call 1 800 913 2350 for expert help

7 log cabin kits for the 21st century frontier bob vila - Jun 13 2023

web dec 28 2022 foundation framing 7 low cost kits for a 21st century log cabin these log cabin kits come ready to assemble with all the parts you ll need to construct a woodsy retreat be it

how to build a log house with pictures wikihow - Jul 14 2023

web sep 18 2021 part 1 planning your log house download article 1 decide on a log house or a log cabin while the 2 terms are very similar the outcomes are slightly different a log cabin is a smaller less modern version of a log house that s usually secluded out in the woods somewhere