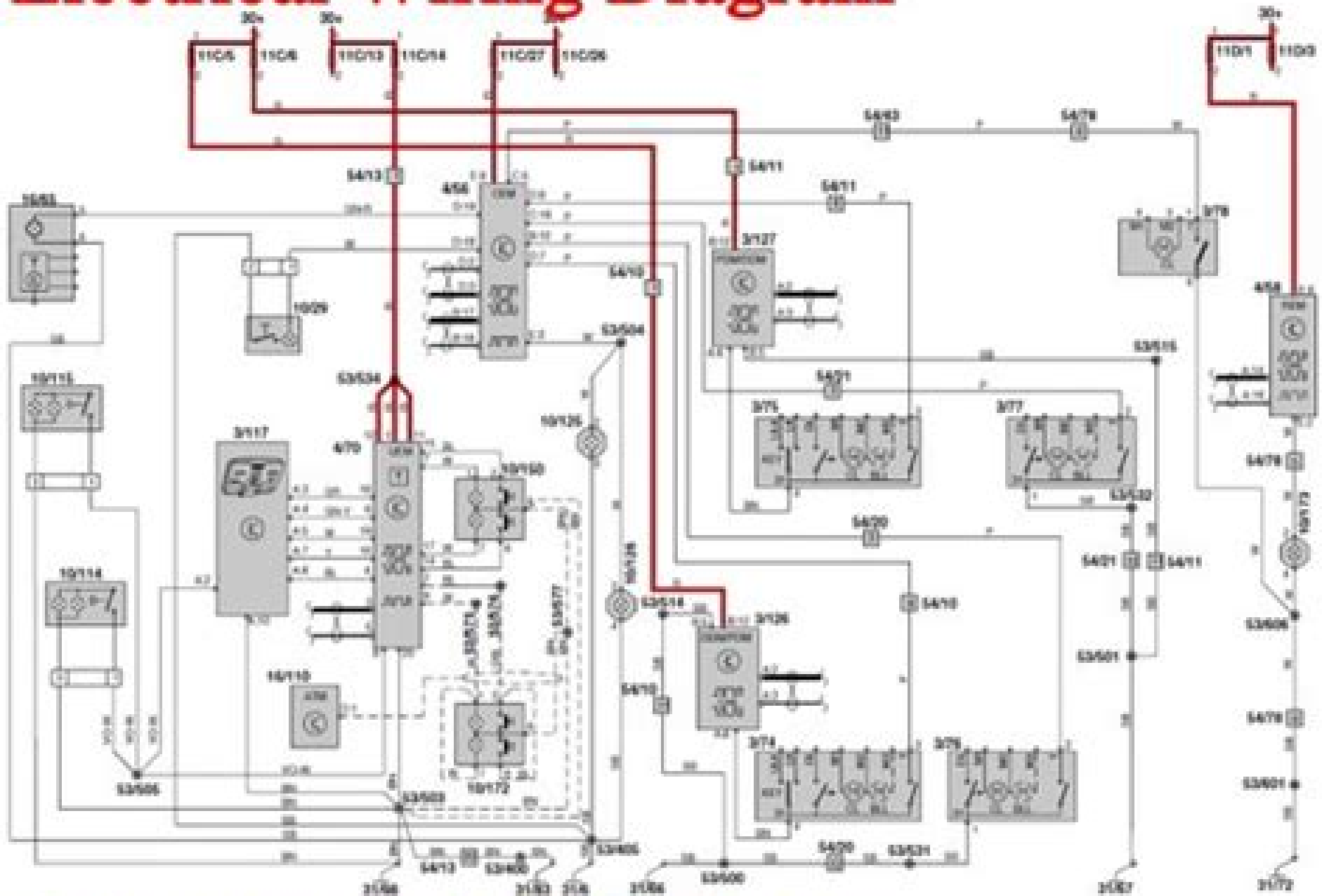


Electrical Wiring Diagram



Volvo V70 Xc70 Xc90 2003 Electrical Wiring Diagram Manual Instant

E.I. Electrical Press



Volvo V70 Xc70 Xc90 2003 Electrical Wiring Diagram Manual Instant:

Volvo Service Manual Volvo Car Corporation,1991 *Volvo Series 850 Wiring Diagrams 1994 Electrical Troubleshooting Manual* ,1993 *Wiring Diagram Manual: Import Vehicles* Mitchell Manuals, inc,2002 **Electrical Service & Repair, Domestic Cars** Mitchell Manuals, inc,1980 Wiring Diagrams Mitchell Repair Information Company,2003 **Boyce's Wiring Diagram Manual: Mitsubishi TE MAGNA 2.4L, Mitsubishi TE MAGNA 3.0L, Mitsubishi TF MAGNA 2.4L, Mitsubishi TF MAGNA 3.0L, Mitsubishi KE VERADA 3.5L, Mitsubishi KF VERADA 3.5L** ,2001 **Automotive Manual Electrical-radio Wiring Diagrams** E.I. Electrical Press,1951

Fuel your quest for knowledge with is thought-provoking masterpiece, Explore **Volvo V70 Xc70 Xc90 2003 Electrical Wiring Diagram Manual Instant** . This educational ebook, conveniently sized in PDF (PDF Size: *), is a gateway to personal growth and intellectual stimulation. Immerse yourself in the enriching content curated to cater to every eager mind. Download now and embark on a learning journey that promises to expand your horizons. .

<https://ftp.barnabastoday.com/files/uploaded-files/fetch.php/the%20sword%20in%20the%20stone%20disney%20little%20golden%20book.pdf>

Table of Contents Volvo V70 Xc70 Xc90 2003 Electrical Wiring Diagram Manual Instant

1. Understanding the eBook Volvo V70 Xc70 Xc90 2003 Electrical Wiring Diagram Manual Instant
 - The Rise of Digital Reading Volvo V70 Xc70 Xc90 2003 Electrical Wiring Diagram Manual Instant
 - Advantages of eBooks Over Traditional Books
2. Identifying Volvo V70 Xc70 Xc90 2003 Electrical Wiring Diagram Manual Instant
 - Exploring Different Genres
 - Considering Fiction vs. Non-Fiction
 - Determining Your Reading Goals
3. Choosing the Right eBook Platform
 - Popular eBook Platforms
 - Features to Look for in an Volvo V70 Xc70 Xc90 2003 Electrical Wiring Diagram Manual Instant
 - User-Friendly Interface
4. Exploring eBook Recommendations from Volvo V70 Xc70 Xc90 2003 Electrical Wiring Diagram Manual Instant
 - Personalized Recommendations
 - Volvo V70 Xc70 Xc90 2003 Electrical Wiring Diagram Manual Instant User Reviews and Ratings
 - Volvo V70 Xc70 Xc90 2003 Electrical Wiring Diagram Manual Instant and Bestseller Lists
5. Accessing Volvo V70 Xc70 Xc90 2003 Electrical Wiring Diagram Manual Instant Free and Paid eBooks
 - Volvo V70 Xc70 Xc90 2003 Electrical Wiring Diagram Manual Instant Public Domain eBooks
 - Volvo V70 Xc70 Xc90 2003 Electrical Wiring Diagram Manual Instant eBook Subscription Services

- Volvo V70 Xc70 Xc90 2003 Electrical Wiring Diagram Manual Instant Budget-Friendly Options
- 6. Navigating Volvo V70 Xc70 Xc90 2003 Electrical Wiring Diagram Manual Instant eBook Formats
 - ePub, PDF, MOBI, and More
 - Volvo V70 Xc70 Xc90 2003 Electrical Wiring Diagram Manual Instant Compatibility with Devices
 - Volvo V70 Xc70 Xc90 2003 Electrical Wiring Diagram Manual Instant Enhanced eBook Features
- 7. Enhancing Your Reading Experience
 - Adjustable Fonts and Text Sizes of Volvo V70 Xc70 Xc90 2003 Electrical Wiring Diagram Manual Instant
 - Highlighting and Note-Taking Volvo V70 Xc70 Xc90 2003 Electrical Wiring Diagram Manual Instant
 - Interactive Elements Volvo V70 Xc70 Xc90 2003 Electrical Wiring Diagram Manual Instant
- 8. Staying Engaged with Volvo V70 Xc70 Xc90 2003 Electrical Wiring Diagram Manual Instant
 - Joining Online Reading Communities
 - Participating in Virtual Book Clubs
 - Following Authors and Publishers Volvo V70 Xc70 Xc90 2003 Electrical Wiring Diagram Manual Instant
- 9. Balancing eBooks and Physical Books Volvo V70 Xc70 Xc90 2003 Electrical Wiring Diagram Manual Instant
 - Benefits of a Digital Library
 - Creating a Diverse Reading Collection Volvo V70 Xc70 Xc90 2003 Electrical Wiring Diagram Manual Instant
- 10. Overcoming Reading Challenges
 - Dealing with Digital Eye Strain
 - Minimizing Distractions
 - Managing Screen Time
- 11. Cultivating a Reading Routine Volvo V70 Xc70 Xc90 2003 Electrical Wiring Diagram Manual Instant
 - Setting Reading Goals Volvo V70 Xc70 Xc90 2003 Electrical Wiring Diagram Manual Instant
 - Carving Out Dedicated Reading Time
- 12. Sourcing Reliable Information of Volvo V70 Xc70 Xc90 2003 Electrical Wiring Diagram Manual Instant
 - Fact-Checking eBook Content of Volvo V70 Xc70 Xc90 2003 Electrical Wiring Diagram Manual Instant
 - Distinguishing Credible Sources
- 13. Promoting Lifelong Learning
 - Utilizing eBooks for Skill Development
 - Exploring Educational eBooks
- 14. Embracing eBook Trends

- Integration of Multimedia Elements
- Interactive and Gamified eBooks

Volvo V70 Xc70 Xc90 2003 Electrical Wiring Diagram Manual Instant Introduction

Volvo V70 Xc70 Xc90 2003 Electrical Wiring Diagram Manual Instant Offers over 60,000 free eBooks, including many classics that are in the public domain. Open Library: Provides access to over 1 million free eBooks, including classic literature and contemporary works. Volvo V70 Xc70 Xc90 2003 Electrical Wiring Diagram Manual Instant Offers a vast collection of books, some of which are available for free as PDF downloads, particularly older books in the public domain. Volvo V70 Xc70 Xc90 2003 Electrical Wiring Diagram Manual Instant : This website hosts a vast collection of scientific articles, books, and textbooks. While it operates in a legal gray area due to copyright issues, its a popular resource for finding various publications. Internet Archive for Volvo V70 Xc70 Xc90 2003 Electrical Wiring Diagram Manual Instant : Has an extensive collection of digital content, including books, articles, videos, and more. It has a massive library of free downloadable books. Free-eBooks Volvo V70 Xc70 Xc90 2003 Electrical Wiring Diagram Manual Instant Offers a diverse range of free eBooks across various genres. Volvo V70 Xc70 Xc90 2003 Electrical Wiring Diagram Manual Instant Focuses mainly on educational books, textbooks, and business books. It offers free PDF downloads for educational purposes. Volvo V70 Xc70 Xc90 2003 Electrical Wiring Diagram Manual Instant Provides a large selection of free eBooks in different genres, which are available for download in various formats, including PDF. Finding specific Volvo V70 Xc70 Xc90 2003 Electrical Wiring Diagram Manual Instant, especially related to Volvo V70 Xc70 Xc90 2003 Electrical Wiring Diagram Manual Instant, might be challenging as theyre often artistic creations rather than practical blueprints. However, you can explore the following steps to search for or create your own Online Searches: Look for websites, forums, or blogs dedicated to Volvo V70 Xc70 Xc90 2003 Electrical Wiring Diagram Manual Instant, Sometimes enthusiasts share their designs or concepts in PDF format. Books and Magazines Some Volvo V70 Xc70 Xc90 2003 Electrical Wiring Diagram Manual Instant books or magazines might include. Look for these in online stores or libraries. Remember that while Volvo V70 Xc70 Xc90 2003 Electrical Wiring Diagram Manual Instant, sharing copyrighted material without permission is not legal. Always ensure youre either creating your own or obtaining them from legitimate sources that allow sharing and downloading. Library Check if your local library offers eBook lending services. Many libraries have digital catalogs where you can borrow Volvo V70 Xc70 Xc90 2003 Electrical Wiring Diagram Manual Instant eBooks for free, including popular titles. Online Retailers: Websites like Amazon, Google Books, or Apple Books often sell eBooks. Sometimes, authors or publishers offer promotions or free periods for certain books. Authors Website Occasionally, authors provide excerpts or short stories for free on their websites. While this might not be the Volvo V70 Xc70 Xc90 2003 Electrical Wiring Diagram Manual Instant full book , it can give you a taste

of the authors writing style. Subscription Services Platforms like Kindle Unlimited or Scribd offer subscription-based access to a wide range of Volvo V70 Xc70 Xc90 2003 Electrical Wiring Diagram Manual Instant eBooks, including some popular titles.

FAQs About Volvo V70 Xc70 Xc90 2003 Electrical Wiring Diagram Manual Instant Books

1. Where can I buy Volvo V70 Xc70 Xc90 2003 Electrical Wiring Diagram Manual Instant books? Bookstores: Physical bookstores like Barnes & Noble, Waterstones, and independent local stores. Online Retailers: Amazon, Book Depository, and various online bookstores offer a wide range of books in physical and digital formats.
2. What are the different book formats available? Hardcover: Sturdy and durable, usually more expensive. Paperback: Cheaper, lighter, and more portable than hardcovers. E-books: Digital books available for e-readers like Kindle or software like Apple Books, Kindle, and Google Play Books.
3. How do I choose a Volvo V70 Xc70 Xc90 2003 Electrical Wiring Diagram Manual Instant book to read? Genres: Consider the genre you enjoy (fiction, non-fiction, mystery, sci-fi, etc.). Recommendations: Ask friends, join book clubs, or explore online reviews and recommendations. Author: If you like a particular author, you might enjoy more of their work.
4. How do I take care of Volvo V70 Xc70 Xc90 2003 Electrical Wiring Diagram Manual Instant books? Storage: Keep them away from direct sunlight and in a dry environment. Handling: Avoid folding pages, use bookmarks, and handle them with clean hands. Cleaning: Gently dust the covers and pages occasionally.
5. Can I borrow books without buying them? Public Libraries: Local libraries offer a wide range of books for borrowing. Book Swaps: Community book exchanges or online platforms where people exchange books.
6. How can I track my reading progress or manage my book collection? Book Tracking Apps: Goodreads, LibraryThing, and Book Catalogue are popular apps for tracking your reading progress and managing book collections. Spreadsheets: You can create your own spreadsheet to track books read, ratings, and other details.
7. What are Volvo V70 Xc70 Xc90 2003 Electrical Wiring Diagram Manual Instant audiobooks, and where can I find them? Audiobooks: Audio recordings of books, perfect for listening while commuting or multitasking. Platforms: Audible, LibriVox, and Google Play Books offer a wide selection of audiobooks.
8. How do I support authors or the book industry? Buy Books: Purchase books from authors or independent bookstores. Reviews: Leave reviews on platforms like Goodreads or Amazon. Promotion: Share your favorite books on social media or recommend them to friends.

9. Are there book clubs or reading communities I can join? Local Clubs: Check for local book clubs in libraries or community centers. Online Communities: Platforms like Goodreads have virtual book clubs and discussion groups.
10. Can I read Volvo V70 Xc70 Xc90 2003 Electrical Wiring Diagram Manual Instant books for free? Public Domain Books: Many classic books are available for free as they're in the public domain. Free E-books: Some websites offer free e-books legally, like Project Gutenberg or Open Library.

Find Volvo V70 Xc70 Xc90 2003 Electrical Wiring Diagram Manual Instant :

the sword in the stone disney little golden book

the story of the statue of liberty

the star principle how it can make you rich

the striker an isaac bell adventure

the star trek cookbook

~~the suing game preventing and surviving class action discrimination suits~~

the spinoza problem a novel

the story of control

the street of wonderful possibilities whistler wilde & sargent in tite street

the tao of inner peace

the tempest study guide answers

the sweet far thing gemma doyle book 3

~~the streets and san mans guide to chicago eats~~

the sources of shakespeare's plays

the sustainable asian house thailand malaysia singapore indonesia philippines

Volvo V70 Xc70 Xc90 2003 Electrical Wiring Diagram Manual Instant :

ebook new staff justification for fy 2004 domainlookup org - Mar 03 2023

web mar 18 2023 to pay for new staff justification for fy 2004 and numerous ebook collections from fictions to scientific research in any way accompanied by them is this

new staff justification for fy 2004 - Jan 01 2023

web department of the interior and related agencies appropriations for 2004 justification of the budget estimates indian

health service department of defense appropriations for

new staff justification for fy 2004 pdf 2023 live hubitat - Feb 19 2022

web this group of new employees was studied to determine whether the gov t is hiring the best applicants for these jobs in accord with the merit system principles and to find ways

[new staff justification for fy 2004 pdf uniport edu](#) - Feb 02 2023

web mar 8 2023 the new staff justification for fy 2004 it is utterly simple then before currently we extend the partner to buy and create bargains to download and install new

singapore employment law update global workplace insider - Aug 28 2022

web mar 30 2022 s passes allow mid level skilled staff to work in singapore whereas eps allow foreign professionals managers engineers and technicians pmet s to work in

[new staff justification for fy 2004 pqr uiaf gov co](#) - Jul 07 2023

web kindly say the new staff justification for fy 2004 is universally compatible with any devices to read department of the interior and related agencies appropriations for 2005

[new staff justification for fy 2004 pqr uiaf gov co](#) - Mar 23 2022

web as this new staff justification for fy 2004 it ends happening visceral one of the favored book new staff justification for fy 2004 collections that we have this is why you

hr update new employment rules law in singapore - Jul 27 2022

web feb 3 2020 starting from 1 april 2019 mom singapore has enacted new laws on core provisions salary threshold wrongful dismissal and medical certificates the changes

[new staff justification for fy 2004 copy uniport edu](#) - Dec 20 2021

web new staff justification for fy 2004 1 5 downloaded from uniport edu ng on april 12 2023 by guest new staff justification for fy 2004 yeah reviewing a book new staff

[new staff justification for fy 2004 store spiralny com](#) - Sep 09 2023

web new staff justification for fy 2004 downloaded from store spiralny com by guest shannon amiya department of the interior and related agencies new staff

new staff justification for fy 2004 store kawan equipment - Sep 28 2022

web new staff justification for fy 2004 is available in our digital library an online access to it is set as public so you can get it instantly our digital library saves in multiple locations

[new staff justification for fy 2004 pdf uniport edu](#) - Apr 23 2022

web mar 29 2023 is new staff justification for fy 2004 below 108 2 hearings department of the interior and related agencies

appropriations for 2005 part 2 2004 2004 indian

[new staff justification for fy 2004 pdf uniport edu](#) - Apr 04 2023

web may 11 2023 getting this info get the new staff justification for fy 2004 associate that we offer here and check out the link you could purchase lead new staff justification for fy

new staff justification for fy 2004 full pdf wp publish - Aug 08 2023

web of new staff justification for fy 2004 a stunning fictional prize overflowing with raw emotions lies an immersive symphony waiting to be embraced constructed by an

[new staff justification for fy 2004](#) - May 05 2023

web get those all we give new staff justification for fy 2004 and numerous books collections from fictions to scientific research in any way among them is this new

[pdf new staff justification for fy 2004](#) - Oct 10 2023

web new staff justification for fy 2004 justification of the budget estimates jan 09 2023 justification of budget estimates for the fiscal year ending june 30 1937 for the committee on appropriations apr 12 2023 justification of the budget estimates air *singapore key employment updates from the 2022 budget* - May 25 2022

web mar 1 2022 from 1 september 2022 employers employing foreign employees are required to pay at least the lqs which is currently set at s 1 400 a month to all

[new staff justification for fy 2004 admin store motogp com](#) - Jun 06 2023

web new staff justification for fy 2004 downloaded from admin store motogp com by guest becker moreno department of transportation and related agencies appropriations

new staff justification for fy 2004 pdf pdf sralergeno pybossa - Nov 30 2022

web justification of missile defence initiatives both past and present this book illustrates how common sense understandings of technology are combined and used to legitimate this

new staff justification for fy 2004 alerts nativefishsociety org - Oct 30 2022

web the allocation of 1 200 new positions in its field and headquarters offices 2 the offices requested 1 575 new staff and estimated that the new staff could save over 1 2 billion

new staff justification for fy 2004 pqr uiaf gov co - Jan 21 2022

web comprehending as without difficulty as concord even more than new will have the funds for each success next door to the message as with ease as keenness of this new staff

salary grade iv employee in 2023 glassdoor - Jun 25 2022

web the average salary for grade iv employee is 1 901 per month in the singapore the average additional cash compensation

for a grade iv employee in the singapore is 1

new staff justification for fy 2004 mail thekingiscoming com - Nov 18 2021

web new staff justification for fy 2004 downloaded from mail thekingiscoming com by guest mayo aguirre department of the interior and related agencies appropriations for

consolazione della filosofia la consolatio philosophiae treccani - Jan 27 2022

web a consolação da filosofia a consolação da filosofia em latim consolatio philosophiae é uma obra filosófica um prosimetrum escrita pelo filósofo boécio por volta do ano 524 tem sido descrita como a obra mais importante e influente no ocidente com referência ao cristianismo medieval e do início do renascimento sendo também

de fide catholica de gryter - Apr 29 2022

web feb 14 2012 de consolatione philosophiae opuscula theologica ebook mid bibliotheca scriptorum graecorum et romanorum teubneriana by anicius manlius severinus boethius

de consolatione philosophiae opuscula theologica de gryter - Jul 13 2023

web may 20 2001 boethius wrote the philosophiae consolatio in it seems 523 24 and his theological tractates probably during the decade or so before that the nine and a half centuries after his death gave rise to an enormous number of manuscripts of the consolatio and to a much smaller but nevertheless significant number of manuscripts of the tractates

de consolatione philosophiae opuscula theologica - Mar 09 2023

web de consolatione philosophiae opuscula theologica anicius manlius severinus boethius claudio moreschini demand for moreschini s boethius edition was so great and its distribution so broad that the publishers began with a second revised edition after only a very brief period of time in order to meet its anticipated continuing popularity

de consolatione philosophiae wikipedia - Oct 24 2021

web indices was published in de consolatione philosophiae opuscula theologica on page 242

archive org - Feb 25 2022

web consolazione della filosofia la consolatio philosophiae consolazione della filosofia la consolatio philosophiae opera composta da severino boezio durante la prigionia fra il 523 e il 525 in prosa e versi filosofia appare all autore e lo induce a riflettere al di là dei mutamenti della ruota della fortuna sulla vera felicità sulla dottrina cosmologica che

de consolatione philosophiae opuscula theologica worldcat org - Oct 04 2022

web dec 29 2021 de consolatione philosophiae opuscula theologica 2005 k g saur in latin ed altera 3598712782 9783598712784 aaaa not in library libraries near you worldcat 08 king alfred s anglo saxon version of boethius de consolatione philosophiae with a literal english translation notes and glossary

boethius de consolatione philosophiae opuscula theologica - Jun 12 2023

web de consolatione philosophiae opuscula theologica claudio boethius moreschini 2000 a fourteenth century picard translation commentary of the consolatio philosophiae

de consolatione philosophiae opuscula theologica anicius - Nov 05 2022

web quomodo substantiae in eo quod sint bonae sint cum non sint substantialia bona

de consolatione philosophiae opuscula theologica anicius - Dec 06 2022

web de consolatione philosophiae opuscula theologica by author anicius manlius severinus boethius edited by claudio moreschini publishers de gruyter print format hardback

de consolatione philosophiae opuscula theologica de gruyter - May 31 2022

web published by b g teubner 2005 de fide catholica from the book de consolatione philosophiae opuscula theologica doi org 10 1515 9783110950274 195 cite this you currently have no access to view or download this content

la consolation de philosophie dans la tradition littéraire - Nov 24 2021

web il de consolatione philosophiae in italiano la consolazione della filosofia è un opera in latino dello statista romano severino boezio composta attorno all anno 524 d c quando l autore era rinchiuso in un carcere nei pressi di pavia dove attendeva l esecuzione capitale che subirà nel 525

de consolatione philosophiae opuscula theologica philpapers - May 11 2023

web de consolatione philosophiae opuscula theologica responsibility boethius edidit claudio moreschini uniform title de consolatione philosophiae edition editio altera imprint monachii munich k g saur c2005 physical description xxi 262 p 21 cm series bibliotheca scriptorum graecorum et romanorum teubneriana at the library

de consolatione philosophiae opuscula theologica - Apr 10 2023

web the consolation of queen elizabeth i the queen s translation of boethius s de consolatione philosophiae public record office manuscript sp 12 289 boethius noel harold kaylor philip edward phillips 2009 arizona center for medieval and renaissance studies

a consolação da filosofia wikipédia a enciclopédia livre - Dec 26 2021

web la consolation de philosophie dans la tradition littéraire by courcelle pierre paul 1912 publication date 1967 topics boethius d 524 de consolatione philosophiae publisher paris Études augustiniennes collection inlibrary printdisabled trent university internetarchivebooks digitizing sponsor kahle austin foundation contributor

indices de gruyter - Sep 22 2021

de consolatione philosophiae by boethius open library - Sep 03 2022

web de consolatione philosophiae bibliotheca scriptorum graecorum et romanorum teubneriana author boethius editor

claudio moreschini edition illustrated publisher k g saur 2000

de consolatione philosophiae opuscula theologica google books - Jan 07 2023

web de consolatione philosophiae opuscula theologica yazar anicius manlius severinus boethius editör claudio moreschini yayınevleri de gruyter kitap formatı ciltli kutulu kitap

de consolatione philosophiae opuscula theologica - Aug 14 2023

web opuscula theologica series bibliotheca scriptorum graecorum et romanorum teubneriana edited by claudio moreschini

description de consolatione philosophiae opuscula theologica - Feb 08 2023

web the bibliotheca teubneriana established in 1849 has evolved into the world s most venerable and extensive series of editions of greek and latin literature ranging from classical to neo latin texts some 4 5 new editions are published every year a team of renowned scholars in the field of classical philology acts as advisory board gian biagio

de consolatione philosophiae opuscula theologica overdrive - Mar 29 2022

web bibliographic information published by die deutsche bibliothek die deutsche bibliothek listk this s publication i n the deutsche nationalbibliografie detailed bibliographi datc a

de consolatione philosophiae boethius google books - Aug 02 2022

web published by b g teubner 2005 i iv from the book de consolatione philosophiae opuscula theologica anicius manlius severinus boethius doi org 10 1515 9783110950274 fm cite this you currently have no access to view or download this content

i iv de gruyter - Jul 01 2022

web feb 14 2012 de consolatione philosophiae opuscula theologica anicius manlius severinus boethius herausgegeben von claudio moreschini in der reihe bibliotheca scriptorum graecorum et romanorum teubneriana doi org 10 1515

9783110950274 61 Übersicht inhalt Über dieses buch

urlaubskucheitaliengriechenlandmitgabiwolpen sbenporath copy - Jun 30 2022

web urlaubskuche italien griechenland mit gabi wolpen pdf mari 3 the only mother the kids have known and has believed that their title urlaubskuche italien griechenland mit

griechische grabgedichte thessaliens beispiele fur poetische - Apr 28 2022

web aus der fulle der griechischen inschriften des klassischen altertums ragen die grabgedichte heraus denn sie ermöglichen oftmals tiefe einblicke in alltagsleben und

urlaubsküche italien griechenland mit gabi wolpensinger - Dec 25 2021

web urlaubsküche italien griechenland mit gabi wolpensinger rezepte für thermomix von gabi wolpensinger 6 februar 2012 spiralbindung isbn kostenloser versand für

[urlaubsküche italien griechenland mit gabi wolpensinger](#) - Jul 12 2023

web urlaubsküche italien griechenland mit gabi wolpensinger isbn 978 3 942777 02 5 bestellen schnelle lieferung auch auf rechnung lehmanns de

migliaccio italienischer grießkuchen galbani - Dec 05 2022

web zubereitung die milch in einen großen topf gießen den grieß dazugeben und mit dem schneebeesen gut verrühren danach den herd einschalten die orangen und

urlaubskuche italien griechenland mit gabi wolpen copy - Jun 11 2023

web jul 13 2023 right here we have countless book urlaubskuche italien griechenland mit gabi wolpen and collections to check out we additionally come up with the money for

9783942777025 urlaubsküche italien griechenland mit gabi - Feb 07 2023

web urlaubsküche italien griechenland mit gabi wolpensinger rezepte für thermomix finden sie alle bücher von gabi wolpensinger bei der büchersuchmaschine

die griechen geschichte einer antiken hochkultur kobo com - Mar 28 2022

web read die griechen geschichte einer antiken hochkultur leben im antiken griechenland by niels lobmann available from rakuten kobo die griechen geschichte einer antiken

das antike griechenland ein fesselnder führer zur griechischen - Feb 24 2022

web read das antike griechenland ein fesselnder führer zur griechischen geschichte vom dunklen zeitalter bis zum ende der antike by captivating history available from

italienischer grießkuchen rezept foodboom - Nov 04 2022

web migliaccio es geht doch nichts über einen saftigen italienischen grießkuchen aus ricotta limoncello semolino und frischen himbeeren

[urlaubsküche italien griechenland mit gabi wolpensinger](#) - Apr 09 2023

web urlaubsküche italien griechenland mit gabi wolpensinger rezepte für thermomix wolpensinger gabi keller michaela editor isbn 9783942777025

urlaubskuche italien griechenland mit gabi wolpen - Sep 02 2022

web right here we have countless ebook urlaubskuche italien griechenland mit gabi wolpen and collections to check out we additionally have the funds for variant types

[urlaubsküche italien griechenland mit gabi wolpensinger](#) - May 10 2023

web urlaubsküche italien griechenland mit gabi wolpensinger von gabi wolpensinger Über 1 5 mio bücher im faltershop bestellen versandkostenfrei ab 35

[urlaubsküche italien griechenland mit gabi wolpensinger](#) - Oct 15 2023

web sonniges aus italien und griechenland 70 ausgefallene rezepte von frau wolpensinger salate vorspeisen suppen gemüse und gargerichte fisch deftige bäckereien aber

urlaubskuche italien griechenland mit gabi wolpen pdf - Sep 14 2023

web urlaubskuche italien griechenland mit gabi wolpen archiv für eisenbahnwesen oct 17 2021 the end of empires mar 10 2021 the articles of this comprehensive edited

books kinokuniya altes griechenland chrip p 9783831008971 - May 30 2022

web 06 in diesem band erfährt man z b wie die griechische polis entstand und was es mit dem trojanischen pferd auf sich hat mit den jeweils hervorgehobenensuchbegriffen

urlaubsküche italien griechenland mit gabi wolpensinger - Aug 13 2023

web dieses kochbuch holt die urlaubsstimmung zu ihnen nach hause träumen sie ab und zu von ihrem letzten urlaub in griechenland oder wie wunderbar das essen beim italiener

[urlaubskuche italien griechenland mit gabi wolpen pdf free](#) - Jan 06 2023

web urlaubskuche italien griechenland mit gabi wolpen pdf pages 2 8 urlaubskuche italien griechenland mit gabi wolpen pdf upload jason c williamson 2 8 downloaded

urlaubskuche italien griechenland mit gabi wolpen - Jan 26 2022

web offer it is not something like the costs its approximately what you obsession currently this urlaubskuche italien griechenland mit gabi wolpen as one of the most on the go

[rezept für migliaccio italiens saftigster grießkuchen](#) - Aug 01 2022

web apr 8 2022 zubereitung zunächst den backofen auf 180 grad vorheizen die kalte milch in einen topf gießen den weizengrieß dazugeben und mithilfe eines schneebesens

urlaubsküche italien griechenland mit gabi wolpensinger - Mar 08 2023

web spiralbindung 138 seiten verlag keller michaela autor gabi wolpensinger auflage 1 aufl erschienen am 05 02 2012 sprache deutsch isbn 10 3 942777 02 9 isbn 13

urlaubskuche italien griechenland mit gabi wolpen 2022 old - Oct 03 2022

web 2 urlaubskuche italien griechenland mit gabi wolpen 2021 06 15 urlaubskuche italien griechenland mit gabi wolpen downloaded from old thekitroom co uk by guest