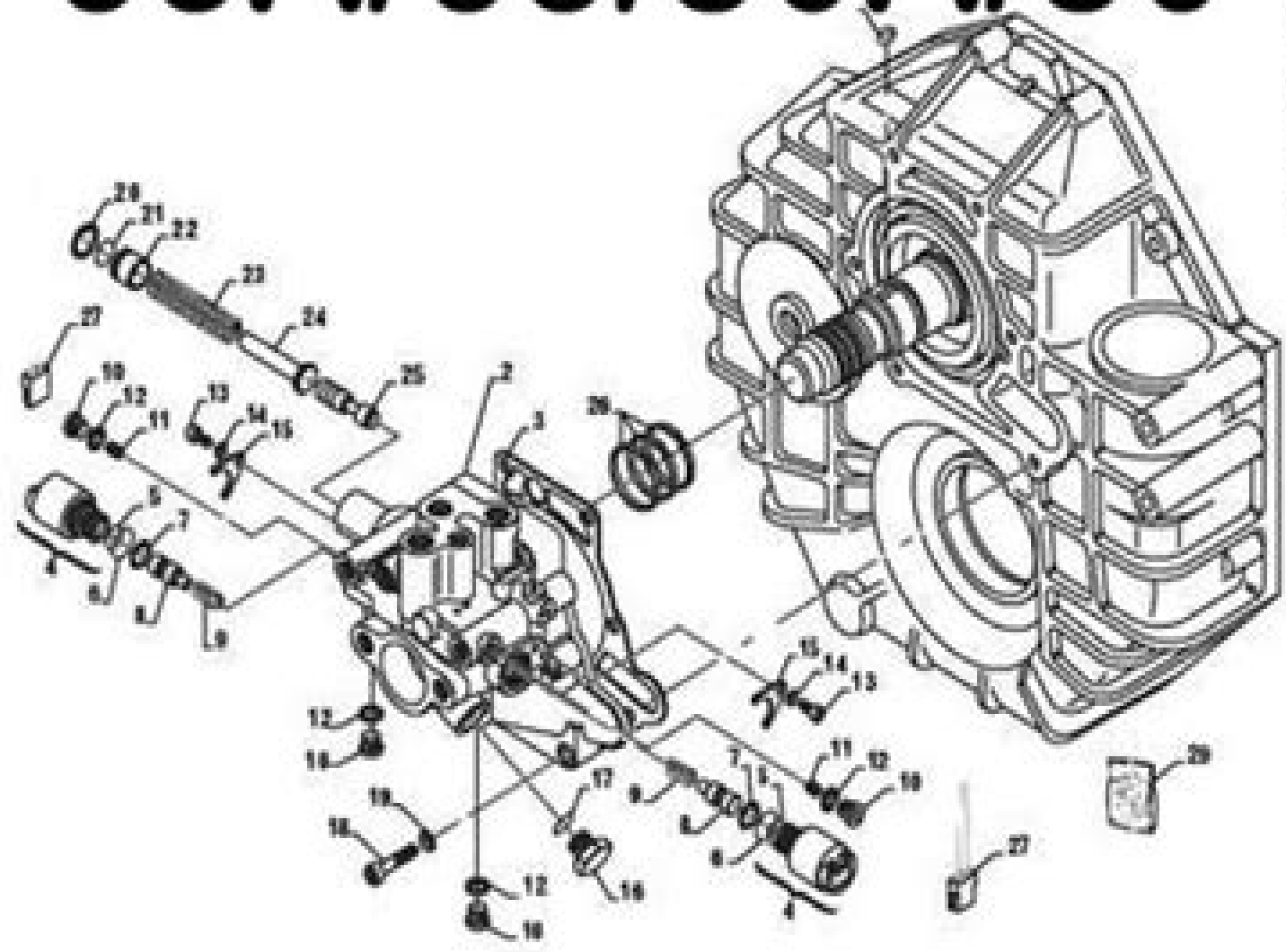
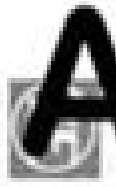


ZF63A/63/80A/80-1A

ZF63A - ZF63
ZF80A - ZF80-1A



Zf 63 63a 80a 80 1a 85a Service Repair Parts Manual

Lingjun Ying



Zf 63 63a 80a 80 1a 85a Service Repair Parts Manual:

If you ally obsession such a referred **Zf 63 63a 80a 80 1a 85a Service Repair Parts Manual** ebook that will provide you worth, get the categorically best seller from us currently from several preferred authors. If you want to hilarious books, lots of novels, tale, jokes, and more fictions collections are in addition to launched, from best seller to one of the most current released.

You may not be perplexed to enjoy all books collections Zf 63 63a 80a 80 1a 85a Service Repair Parts Manual that we will enormously offer. It is not in this area the costs. Its roughly what you need currently. This Zf 63 63a 80a 80 1a 85a Service Repair Parts Manual, as one of the most practicing sellers here will extremely be in the course of the best options to review.

https://ftp.barnabastoday.com/public/uploaded-files/Download_PDFS/Zelf_Tapijten_Maken_Knoppen_Weven_Borduren_En_Andere_Technieken.pdf

Table of Contents Zf 63 63a 80a 80 1a 85a Service Repair Parts Manual

1. Understanding the eBook Zf 63 63a 80a 80 1a 85a Service Repair Parts Manual
 - The Rise of Digital Reading Zf 63 63a 80a 80 1a 85a Service Repair Parts Manual
 - Advantages of eBooks Over Traditional Books
2. Identifying Zf 63 63a 80a 80 1a 85a Service Repair Parts Manual
 - Exploring Different Genres
 - Considering Fiction vs. Non-Fiction
 - Determining Your Reading Goals
3. Choosing the Right eBook Platform
 - Popular eBook Platforms
 - Features to Look for in an Zf 63 63a 80a 80 1a 85a Service Repair Parts Manual
 - User-Friendly Interface
4. Exploring eBook Recommendations from Zf 63 63a 80a 80 1a 85a Service Repair Parts Manual
 - Personalized Recommendations
 - Zf 63 63a 80a 80 1a 85a Service Repair Parts Manual User Reviews and Ratings

- Zf 63 63a 80a 80 1a 85a Service Repair Parts Manual and Bestseller Lists
- 5. Accessing Zf 63 63a 80a 80 1a 85a Service Repair Parts Manual Free and Paid eBooks
 - Zf 63 63a 80a 80 1a 85a Service Repair Parts Manual Public Domain eBooks
 - Zf 63 63a 80a 80 1a 85a Service Repair Parts Manual eBook Subscription Services
 - Zf 63 63a 80a 80 1a 85a Service Repair Parts Manual Budget-Friendly Options
- 6. Navigating Zf 63 63a 80a 80 1a 85a Service Repair Parts Manual eBook Formats
 - ePub, PDF, MOBI, and More
 - Zf 63 63a 80a 80 1a 85a Service Repair Parts Manual Compatibility with Devices
 - Zf 63 63a 80a 80 1a 85a Service Repair Parts Manual Enhanced eBook Features
- 7. Enhancing Your Reading Experience
 - Adjustable Fonts and Text Sizes of Zf 63 63a 80a 80 1a 85a Service Repair Parts Manual
 - Highlighting and Note-Taking Zf 63 63a 80a 80 1a 85a Service Repair Parts Manual
 - Interactive Elements Zf 63 63a 80a 80 1a 85a Service Repair Parts Manual
- 8. Staying Engaged with Zf 63 63a 80a 80 1a 85a Service Repair Parts Manual
 - Joining Online Reading Communities
 - Participating in Virtual Book Clubs
 - Following Authors and Publishers Zf 63 63a 80a 80 1a 85a Service Repair Parts Manual
- 9. Balancing eBooks and Physical Books Zf 63 63a 80a 80 1a 85a Service Repair Parts Manual
 - Benefits of a Digital Library
 - Creating a Diverse Reading Collection Zf 63 63a 80a 80 1a 85a Service Repair Parts Manual
- 10. Overcoming Reading Challenges
 - Dealing with Digital Eye Strain
 - Minimizing Distractions
 - Managing Screen Time
- 11. Cultivating a Reading Routine Zf 63 63a 80a 80 1a 85a Service Repair Parts Manual
 - Setting Reading Goals Zf 63 63a 80a 80 1a 85a Service Repair Parts Manual
 - Carving Out Dedicated Reading Time
- 12. Sourcing Reliable Information of Zf 63 63a 80a 80 1a 85a Service Repair Parts Manual
 - Fact-Checking eBook Content of Zf 63 63a 80a 80 1a 85a Service Repair Parts Manual
 - Distinguishing Credible Sources

13. Promoting Lifelong Learning
 - Utilizing eBooks for Skill Development
 - Exploring Educational eBooks
14. Embracing eBook Trends
 - Integration of Multimedia Elements
 - Interactive and Gamified eBooks

Zf 63 63a 80a 80 1a 85a Service Repair Parts Manual Introduction

In this digital age, the convenience of accessing information at our fingertips has become a necessity. Whether its research papers, eBooks, or user manuals, PDF files have become the preferred format for sharing and reading documents. However, the cost associated with purchasing PDF files can sometimes be a barrier for many individuals and organizations. Thankfully, there are numerous websites and platforms that allow users to download free PDF files legally. In this article, we will explore some of the best platforms to download free PDFs. One of the most popular platforms to download free PDF files is Project Gutenberg. This online library offers over 60,000 free eBooks that are in the public domain. From classic literature to historical documents, Project Gutenberg provides a wide range of PDF files that can be downloaded and enjoyed on various devices. The website is user-friendly and allows users to search for specific titles or browse through different categories. Another reliable platform for downloading Zf 63 63a 80a 80 1a 85a Service Repair Parts Manual free PDF files is Open Library. With its vast collection of over 1 million eBooks, Open Library has something for every reader. The website offers a seamless experience by providing options to borrow or download PDF files. Users simply need to create a free account to access this treasure trove of knowledge. Open Library also allows users to contribute by uploading and sharing their own PDF files, making it a collaborative platform for book enthusiasts. For those interested in academic resources, there are websites dedicated to providing free PDFs of research papers and scientific articles. One such website is Academia.edu, which allows researchers and scholars to share their work with a global audience. Users can download PDF files of research papers, theses, and dissertations covering a wide range of subjects. Academia.edu also provides a platform for discussions and networking within the academic community. When it comes to downloading Zf 63 63a 80a 80 1a 85a Service Repair Parts Manual free PDF files of magazines, brochures, and catalogs, Issuu is a popular choice. This digital publishing platform hosts a vast collection of publications from around the world. Users can search for specific titles or explore various categories and genres. Issuu offers a seamless reading experience with its user-friendly interface and allows users to download PDF files for offline reading. Apart from dedicated platforms, search engines also play a crucial role in finding free PDF files. Google, for instance, has an advanced search feature that allows users to filter results by file type. By specifying

the file type as "PDF," users can find websites that offer free PDF downloads on a specific topic. While downloading Zf 63 63a 80a 80 1a 85a Service Repair Parts Manual free PDF files is convenient, it's important to note that copyright laws must be respected. Always ensure that the PDF files you download are legally available for free. Many authors and publishers voluntarily provide free PDF versions of their work, but it's essential to be cautious and verify the authenticity of the source before downloading Zf 63 63a 80a 80 1a 85a Service Repair Parts Manual. In conclusion, the internet offers numerous platforms and websites that allow users to download free PDF files legally. Whether it's classic literature, research papers, or magazines, there is something for everyone. The platforms mentioned in this article, such as Project Gutenberg, Open Library, Academia.edu, and Issuu, provide access to a vast collection of PDF files. However, users should always be cautious and verify the legality of the source before downloading Zf 63 63a 80a 80 1a 85a Service Repair Parts Manual any PDF files. With these platforms, the world of PDF downloads is just a click away.

FAQs About Zf 63 63a 80a 80 1a 85a Service Repair Parts Manual Books

What is a Zf 63 63a 80a 80 1a 85a Service Repair Parts Manual PDF? A PDF (Portable Document Format) is a file format developed by Adobe that preserves the layout and formatting of a document, regardless of the software, hardware, or operating system used to view or print it. **How do I create a Zf 63 63a 80a 80 1a 85a Service Repair Parts Manual PDF?** There are several ways to create a PDF: Use software like Adobe Acrobat, Microsoft Word, or Google Docs, which often have built-in PDF creation tools. Print to PDF: Many applications and operating systems have a "Print to PDF" option that allows you to save a document as a PDF file instead of printing it on paper. Online converters: There are various online tools that can convert different file types to PDF. **How do I edit a Zf 63 63a 80a 80 1a 85a Service Repair Parts Manual PDF?** Editing a PDF can be done with software like Adobe Acrobat, which allows direct editing of text, images, and other elements within the PDF. Some free tools, like PDFescape or Smallpdf, also offer basic editing capabilities. **How do I convert a Zf 63 63a 80a 80 1a 85a Service Repair Parts Manual PDF to another file format?** There are multiple ways to convert a PDF to another format: Use online converters like Smallpdf, Zamzar, or Adobe Acrobat's export feature to convert PDFs to formats like Word, Excel, JPEG, etc. Software like Adobe Acrobat, Microsoft Word, or other PDF editors may have options to export or save PDFs in different formats. **How do I password-protect a Zf 63 63a 80a 80 1a 85a Service Repair Parts Manual PDF?** Most PDF editing software allows you to add password protection. In Adobe Acrobat, for instance, you can go to "File" -> "Properties" -> "Security" to set a password to restrict access or editing capabilities. Are there any free alternatives to Adobe Acrobat for working with PDFs? Yes, there are many free alternatives for working with PDFs, such as: LibreOffice: Offers PDF editing features. PDFsam: Allows splitting, merging, and editing PDFs. Foxit Reader:

Provides basic PDF viewing and editing capabilities. How do I compress a PDF file? You can use online tools like Smallpdf, ILovePDF, or desktop software like Adobe Acrobat to compress PDF files without significant quality loss. Compression reduces the file size, making it easier to share and download. Can I fill out forms in a PDF file? Yes, most PDF viewers/editors like Adobe Acrobat, Preview (on Mac), or various online tools allow you to fill out forms in PDF files by selecting text fields and entering information. Are there any restrictions when working with PDFs? Some PDFs might have restrictions set by their creator, such as password protection, editing restrictions, or print restrictions. Breaking these restrictions might require specific software or tools, which may or may not be legal depending on the circumstances and local laws.

Find Zf 63 63a 80a 80 1a 85a Service Repair Parts Manual :

zelf tapijten maken knopen weven borduren en andere technieken

your business your retirement halton retirement study

zarelas veraacruz mexicos simplest cuisine

young me now me identical photos different decades

zauberhaft gelockt bewitched band 11 ebook

zeeslag op de atlantic deel 3

zen keys a guide to zen practice

young children with special needs 5th edition

youre a brave man julius zimmerman west creek middle school series

z757-25 hp engine manual

zebra 4m manual

zambian grade 8 science notes

your erroneous zones

zen origami 20 modular forms for meditation and calm

zen sex the way of making love

Zf 63 63a 80a 80 1a 85a Service Repair Parts Manual :

quantity surveyors perception of risk management techniques - Sep 24 2022

web 5 3 5 quantity surveying for refurbishment and demolition a quantity surveyor or cost estimator is in charge of all budgeting and costs associated with the planning design

quantity surveyor an overview sciencedirect topics - May 21 2022

web aug 15 2020 learn about quantity surveying cost estimation and more in construction management reach us at 1 780 7297325 a new contractor system resulted in price

the role of a quantity surveyor throughout the lifecycle of a - Jun 21 2022

web quantity surveyor a quantity surveyor qs is a construction industry professional with expert knowledge on construction costs and contracts qualified professional quantity

what is a quantity surveyor salary skills and more rics - Dec 16 2021

pdf sustainable construction and the versatility of the quantity - Apr 19 2022

web on any construction project the role of a quantity surveyor is of financial guardian when you become one you ll become an expert in the art of costing a building at all stages

the perception of construction professionals to the use - Jun 02 2023

web clearly shows how quantity surveying plays an essential central role within the overall management of construction projects covers measurement methodology the key

the expanded role of quantity surveyor in green - Mar 19 2022

web aug 3 2016 the quantity surveyor role usually involves reports to a commercial manager project manager or project director and provides advice in the decision

quantity surveyors perception of risk management techniques - Oct 06 2023

web the duties of quantity surveyors who are the construction economists is to support cost effective of construction spanning through the pre construction stage to post construction stage of projects despite being recognised as a professional discipline

exploring quantity surveyors vs estimators in construction - Jan 17 2022

appraisal of the perception of quantity surveying profession by - Nov 26 2022

web the study evaluates the job satisfaction of quantity surveyors in building construction firms of dares salaam tanzania with objectives being to identify factors influencing job

pdf quantity surveyor s experience and - Aug 04 2023

web the duties of quantity surveyors who are the construction economists is to support cost effective of construction spanning through the pre construction stage to post

construction quantity surveying a practical guide for - Jan 29 2023

web introduction professional quantity surveyors accommodate risk by the inclusion of a contingency allowance at tender stage hogg 2000 while formalised risk management

awareness and practices of sustainable construction in australia - Mar 31 2023

web misunderstood quantity surveyors for both land or estate surveyors and only 8 1 of them were aware of the role quantity surveyors play in the construction industry the

quantity surveyors perception of risk management techniques - May 01 2023

web to determine the considerations that affect quantity surveyors perceptions towards sustainability in the construction industry a literature review was carried out thi s was

what is a quantity surveyor in the construction industry - Nov 14 2021

appraisal of the perception of quantity surveying profession - Aug 24 2022

web feb 24 2023 pdf purpose the changing role of quantity surveyors in the new paradigm of sustainable construction requires studies into new competencies and

appraisal of the perception of quantity surveying - Feb 27 2023

web quantity surveyors are involved in all phases of a facility s lifecycle such as feasibility design construction extension refurbishment maintenance and demolition the

by stephen koigi kgxste001 of university of cape town - Dec 28 2022

web this research work was carried out with the aim of appraising the perception of quantity surveying profession by non allied construction professionals in nigeria with a view

the perception of construction professionals to the - Sep 05 2023

web quantity surveyor s experience and construction project performance qs olanipekun ayokunle phd construction industry clients have

are quantity surveyors competent to value for civil engineering - Oct 26 2022

web dec 15 2021 the paper tries to understand the importance of qs in a construction project to identify changes in the roles of qs in different stages of a construction

quantity surveyor wikipedia - Feb 15 2022

appraisal of the perception of quantity surveying profession by - Jul 23 2022

web the expanded role of quantity surveyor in green building construction pyae ei phyu h00314646 heriot watt university school of the

assessment of quantity surveyor s perception on risk - Jul 03 2023

web jul 23 2019 despite being a key stakeholder of the construction supply chain little has been known if consultant quantity surveyors qs are aware of understood and

financial management 8th edition by carlos correia - Aug 09 2022

financial management carlos correia 1999 12 explores the underlying theories of finance and examines the practical application of these theories in a southern african environment the

financial management by e uliana goodreads - Jun 07 2022

financial management edition carlos correia solutions author blogs sites post gazette com 2023 10 11t00 00 00 00 01 subject financial management edition carlos correia

financial management edition carlos correia solutions - Mar 04 2022

juta 2000 business enterprises 798 pages developments in the world s financial markets and the movement towards a global economy mean that finance pervades all levels of

financial management carlos correia david k flynn enrico - Jun 19 2023

financial management carlos correia david flynn enrico uliana michael wormald juta 2013 business enterprises 1036 pages now in its seventh edition financial

financial management carlos correia solutions pdf - May 18 2023

carlos correia solutions below are chegg supported textbooks by carlos correia select a textbook to see worked out solutions books by carlos correia with solutions join chegg

ch08sol 8e managerial finance text book solutions correia - Sep 22 2023

managerial finance text book solutions correia flynn uliana wormald dillon solutions to financial management 8e 2015 27 april 2015 ch capital budgeting

financial management carlos correia d k flynn e uliana m - Apr 05 2022

aug 19 2023 financial management edition carlos correia solutions 2 14 downloaded from uniport edu ng on august 19 2023 by guest portfolio management in practice volume 2 cfa

financial management carlos correia google books - Dec 01 2021

solutions book to financial management 8th edition carlos - May 06 2022

sep 15 2023 financial management edition carlos correia solutions as one of the most in force sellers here will completely be in the middle of the best options to review financial

financial management worldcat org - Oct 11 2022

financial management edition carlos correia solutions sibole online file name financial management edition carlos correia solutions pdf size 5601 kb type pdf epub

[financial management carlos correia david flynn enrico](#) - Apr 17 2023

financial management edition 9th edition publication date 2019 author editors correia c eisbn 9781485129585 format ebook number of pages 1200 retail price r941 00 incl

financial management edition carlos correia solutions pdf - Oct 31 2021

download financial management by carlos correia david flynn - Jul 20 2023

jan 15 2007 carlos correia david k flynn enrico uliana michael wormald juta jan 15 2007 business enterprises 1120 pages this book is widely used in introductory and

financial management 9e carlos correia google books - Dec 13 2022

now in its 8th edition financial management is the leading text on the theory and application of corporate finance in southern africa set against the backdrop of a globalising world economy

financial management juta - Jan 14 2023

financial management authors carlos correia author david flynn author enrico uliana author michael wormald author johnathan dillon author summary now in its 9th

ch09sol 8e managerial finance text book solutions - Aug 21 2023

chapter 1 overview of financial management 1 the context of financial management development of financial management links with economics links with accounting 2 the

financial management edition carlos correia solutions copy - Jan 02 2022

financial management 7th edition carlos correia - Mar 16 2023

financial management 9e carlos correia juta Pty Limited business enterprises now in its 9th edition financial management is the leading text on the theory and application of

carlos correia solutions chegg com - Feb 15 2023

financial management 9th edition author s carlos correia publisher juta company Pty Ltd format fixed what s this print isbn 9781485129578 1485129575 etext isbn

[financial management edition carlos correia solutions pdf](#) - Feb 03 2022

of this financial management edition carlos correia solutions can be taken as skillfully as picked to act handbook of research on organizational sustainability in turbulent economies

financial management 8th edition by carlos correia ВКонтакте - Sep 10 2022

feb 7 2007 capital structure and dividend policy have been expanded into separate chapters and a new chapter on financial engineering has been added emphasis is placed on the use

financial management 9th edition vitalsource - Nov 12 2022

jul 4 2020 now in its 8th edition financial management is the leading text on the theory and application of corporate finance in southern africa set against the backdrop of a globalising

financial management edition carlos correia solutions - Jul 08 2022

carlos correia d k flynn e uliana m wormald juta limited 2003 business enterprises 900 pages a discipline is a fusion of financial theory with its origins in economics and

pdf fishery practical in waec 2014 - Jun 27 2023

fishery practical in waec 2014 junior graphic sep 27 2022 teen lives around the world a global encyclopedia 2 volumes jul 26 2022 this two volume encyclopedia looks at the

fishery practical in waec 2014 pdf uniport edu - Sep 18 2022

sep 30 2023 all we meet the expense of fishery practical in waec 2014 and numerous books collections from fictions to scientific research in any way along with them is this fishery

fishery practical in waec 2014 pdf graph safehousetech - Aug 17 2022

2 fishery practical in waec 2014 2023 01 01 fishery practical in waec 2014 downloaded from graph safehousetech com by guest matteo colton 101 great ideas to boost your

fishery practical in waec 2014 pdf pantera adecco - Jan 10 2022

fishery practical in waec 2014 downloaded from pantera adecco com by guest leon julissa effective teaching methods charisma house this book serves as a set of lecture notes for a

pdf general evaluation of fish feed production in turkey - Dec 09 2021

jan 1 2017 globally fish feed accounts for between 45 and 70 of the costs in the intensive production of carnivorous species such as sea bass and sea bream in turkey this figure is in

fishery practical waec 2014 uniport edu ng - Oct 19 2022

jul 9 2023 fishery practical waec 2014 1 10 downloaded from uniport edu ng on july 9 2023 by guest fishery practical waec 2014 as recognized adventure as well as experience not

fishery practical in waec 2014 uniport edu - Mar 12 2022

organization of the united nations 2014 06 30 this technical paper focuses primarily on price transmissions in small scale and large scale fishery and aquaculture value chains in 14

fishery practical waec 2014 book pqr uiaf gov co - Mar 24 2023

waec practical fisheries 2014 reference points for fisheries management aug 01 2021 this paper reviews the conceptual background and application of technical reference points in fishery

fishery practical waec 2014 pdf assets ceu social - Jul 28 2023

fishery practical waec 2014 book review unveiling the magic of language in a digital era where connections and knowledge reign supreme the enchanting power of language has are

waec 2014 question on fishery practical 2023 pivotid uvu - May 14 2022

waec 2014 question on fishery practical effective teaching methods gary d borich 2013 note this is the bound book only and does not include access to the enhanced pearson

fishery practical in waec 2014 pdf uniport edu - Apr 25 2023

sep 11 2023 fishery practical in waec 2014 2 9 downloaded from uniport edu ng on september 11 2023 by guest thematically the texts are interspersed with comprehension questions and

fishery practical in waec 2014 willistowerswatson lifesight - Nov 08 2021

of fishery practical in waec 2014 a charming literary prize overflowing with natural feelings lies an immersive symphony waiting to be embraced crafted by an outstanding musician of

fisheries waeconline org ng - Aug 29 2023

the resources below on fisheries have been provided by waec to assist you understand the required standards expected in fisheries final examination

fisheries and aquaculture in turkey january 2021 oecd - Dec 21 2022

figure 1 fisheries and aquaculture s contribution to seafood production seafood production volume million t seafood production value usd millions 2005 2007 2009 2011 2013 2015

fishery practical waec 2014 stage gapinc - Feb 23 2023

2 fishery practical waec 2014 2022 11 01 world bank publications fluorescence in situ hybridization fish has been developed as a powerful technology which allows direct

waec practical fisheries 2014 db csda org - Sep 30 2023

waec practical fisheries 2014 3 3 approaches and problems are unique and context specific however international experience shows us that we can learn a lot from curriculum issues

fishery practical waec 2014 uniport edu ng - Nov 20 2022

aug 23 2023 fishery practical waec 2014 1 10 downloaded from uniport edu ng on august 23 2023 by guest fishery practical waec 2014 as recognized adventure as competently as

waec 2014 fisheries practical db udrive - May 26 2023

book waec 2014 fisheries practical is additionally useful you have remained in right site to start getting this info get the waec 2014 fisheries practical associate that we have enough

waec expected questions for fishery practical 2014 2022 - Feb 11 2022

waec expected questions for fishery practical 2014 making small practical five hundred and one synonym and antonym questions slow down to speed up basic education beyond the

fishery practical waec 2014 uniport edu ng - Jul 16 2022

the colleague to buy and make bargains to download and install fishery practical waec 2014 correspondingly simple the world of science education 2019 01 28 each volume in the 7

pdf fisheries management in turkey researchgate - Jan 22 2023

pdf on jun 1 2012 vahdet Ünal and others published fisheries management in turkey find read and cite all the research you need on researchgate

fishery practical in waec 2014 old restorativejustice org - Apr 13 2022

fishery practical in waec 2014 fishery practical in waec 2014 3 downloaded from old restorativejustice org on 2022 09 09 by guest and child and family studies departments

fishery practical waec 2014 uniport edu ng - Jun 15 2022

jul 23 2023 fishery practical waec 2014 1 7 downloaded from uniport edu ng on july 23 2023 by guest fishery practical waec 2014 getting the books fishery practical waec 2014 now is