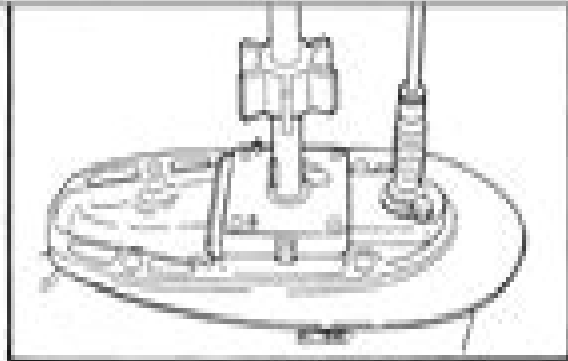
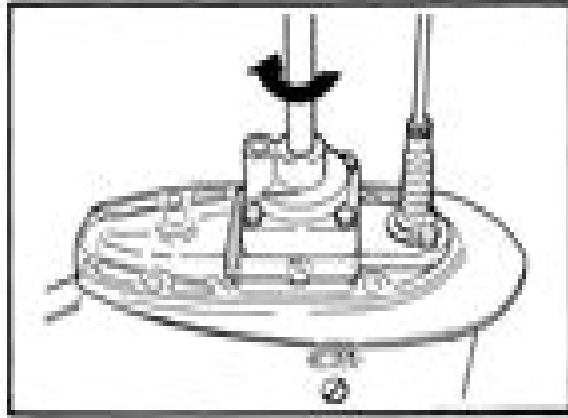


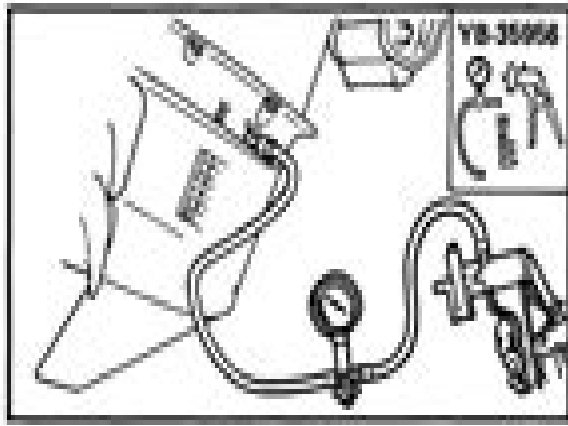
Page Thumbnails



Get the impeller housing.
4) Install a new key in the keyway on the drive shaft, and insert a new impeller.



5) Grease the impeller, and install the water-pump housing, turning the drive clockwise, then tighten the bolts.



NOTE:

LOWER UNIT LEAKAGE CHECK

- 1) Tighten the gear oil-drain screw, and connect the tester to the oil-level hole.
- 2) Pump the tester, and apply a pressure of 100 kpa (1.0 kgf/cm² 14.2 psi)
- 3) Check that the pressure is held at 100 kpa (1.0 kgf/cm² 14.2 psi) for 10 seconds.

NOTE: _____

If the pressure falls, the leakage from lower unit

Yamaha 115etlj Outboard Service Repair Maintenance Manual Factory

Editors of Haynes Manuals



Yamaha 115etlj Outboard Service Repair Maintenance Manual Factory:

Yamaha 4-Stroke OB 6-100 HP, 1985-2013 Haynes Publishing,2017-03-01 Each Clymer manual provides specific and detailed instructions for performing everything from basic maintenance and troubleshooting to a complete overhaul of the vehicle Do it yourselfers will find this service and repair manual more comprehensive than the factory manual making it an indispensable part of their tool box This manual includes all you need to know to maintain and repair your Yamaha 4 Stroke OB 6 100 HP 1985 2013 *Yamaha Outboard* Joan Coles,Clarence W. Coles,1998-03 SELOC Marine maintenance and repair manuals offer the most comprehensive authoritative information available for outboard inboard stern drive and diesel engines as well as personal watercraft SELOC has been the leading source of how to information for the marine industry since 1974 Designed and written to serve the needs of the professional mechanic do it yourself boat enthusiast instructor and student these manuals are based on actual teardowns done by Chilton Marine s editors authors in our on site facility Providing complete coverage on everything from basic maintenance to engine overhaul every manual features Simple to follow step by step illustrated procedures Hundreds of exploded drawings photographs and tables Troubleshooting sections accurate specifications and wiring diagrams Recognized and used by technical trade schools as well as the U S military Covers all 115 225 Hp V4 and V6 2 stroke models Also includes advanced oil injection and counter rotating drive Nearly 750 illustrations Yamaha Outboard Shop Manual Editors of Haynes Manuals,2014-12-15 Yamaha 75 HP 80 HP 90 HP 100 HP 115 HP Inline 4 and 200 HP 225 HP and 250 HP 3 3L V6 Outboards manual Includes Color Wiring Diagrams Clymer Marine and PWC manuals are the 1 source for DIY maintenance troubleshooting and repair With step by step procedures combined with detailed photography and extensive use of exploded parts views Clymer manuals are a must have tool for the do it yourselfer Models Covered Yamaha 75 HP 2000 20013 Yamaha 80 HP 2000 2013 Yamaha 90 HP 2000 2013 Yamaha 100 HP 2000 2013 Yamaha 115 HP 2000 2013 Yamaha 200 HP 2000 2013 Yamaha 225 HP 2000 2013 Yamaha 250 HP 2000 2013

Seloc Yamaha Outboards Seloc,2004 1701 Covers all 2 250 hp 1 4 cylinder V4 and V6 models 2 stroke and 4 stroke models includes jet drives **Yamaha Outboard Motor, Model P-165** ,1972* **Clymer Yamaha XV535-1100 Virago 1981-2003: Service, Repair, Maintenance** Ed Scott,2004-05-30 Service repair and maintenance manual Outboard Motors Maintenance and Repair Manual Jean-Luc Pallas,2006 **Yamaha XV V-Twins Service and Repair Manual** Alan Ahlstrand,John Harold Haynes,1997 There is a Haynes manual for most popular domestic and import cars trucks and motorcycles By conducting complete tear downs and rebuilds the Haynes staff has discovered all the problems owners will find in rebuilding or repairing their vehicle Documenting the process in hundreds of illustrations and dear step by step instructions makes every expert tip easy to follow From simple maintenance to trouble shooting and complete engine rebuilds it s easy with Haynes Yamaha FJR1300, '01-'13 Haynes Publishing,2020-02-25 Each Haynes manual provides specific and detailed instructions for performing everything from basic maintenance and troubleshooting to a complete

overhaul of the machine in this case the Yamaha FJR1300 model years 2001 through 2013 Do it yourselfers will find this service and repair manual more comprehensive than the factory manual making it an indispensable part of their tool box A typical Haynes manual covers general information troubleshooting lubrication and routine maintenance engine top end engine lower end primary drive clutch and external shift mechanism transmission and internal shift mechanism engine management system electrical system wheels tires and drivebelt front suspension and steering rear suspension brakes body and color wiring diagrams An index makes the manual easy to navigate *Yamaha FZ6 Service and Repair Manual* Phil Mather,2008-01-01 FZ6 S SA Fazer 600cc 04 07 FZ6 N NA 600cc 04 07 FZ6 Fazer S2 600cc 07 08 FZ6 S2 600cc 07 08

Yamaha Outboard, 1984-1991 Joan Coles,Clarence Coles,1998 SELOC Marine maintenance and repair manuals offer the most comprehensive authoritative information available for outboard inboard stern drive and diesel engines as well as personal watercraft SELOC has been the leading source of how to information for the marine industry since 1974 Designed and written to serve the needs of the professional mechanic do it yourself boat enthusiast instructor and student these manuals are based on actual teardowns done by Chilton Marine s editors authors in our on site facility Providing complete coverage on everything from basic maintenance to engine overhaul every manual features Simple to follow step by step illustrated procedures Hundreds of exploded drawings photographs and tables Troubleshooting sections accurate specifications and wiring diagrams Recognized and used by technical trade schools as well as the U S military Covers all 2 25 Hp 1 and 2 cylinder 4 stroke models Includes 9 9 Hp 4 stroke powerhead Over 1 030 illustrations *Yamaha 115A/140A* ,1983 *Clymer Yamaha XJ550, XJ600 & FJ600 1981-1992* Penton Staff,1996-03-01 With the help of the Clymer Yamaha XJ550 XJ600 FJ600 1981 1992 Repair Manual in your toolbox you will be able to maintain service and repair your motorcycle to extend its life for years to come Clymer manuals are very well known for their thorough and comprehensive nature This manual is loaded with step by step procedures along with detailed photography exploded views charts and diagrams to enhance the steps associated with a service or repair task This Clymer manual is organized by subsystem with procedures grouped together for specific topics such as front suspension brake system engine and transmission It includes color wiring diagrams The language used in this Clymer repair manual is targeted toward the novice mechanic but is also very valuable for the experienced mechanic The service manual by Clymer is an authoritative piece of DIY literature and should provide you the confidence you need to get the job done and save money too **Clymer Yamaha YZ125-490, 1985-1990** Penton Staff,1994-03-01 With the help of the Clymer Yamaha YZ125 490 1985 1990 Repair Manual in your toolbox you will be able to maintain service and repair your motorcycle to extend its life for years to come Clymer manuals are very well known for their thorough and comprehensive nature This manual is loaded with step by step procedures along with detailed photography exploded views charts and diagrams to enhance the steps associated with a service or repair task This Clymer manual is organized by subsystem with procedures grouped together for specific topics such as front suspension brake

system engine and transmission It includes color wiring diagrams The language used in this Clymer repair manual is targeted toward the novice mechanic but is also very valuable for the experienced mechanic The service manual by Clymer is an authoritative piece of DIY literature and should provide you the confidence you need to get the job done and save money too The specific BMW R1200 models covered by this manual are Yamaha YZ125 1985 1987 Yamaha YZ250 1985 1987 Yamaha YZ490 1985 1990

Seloc Yamaha 4-stroke Outboards 2005-10 Repair Manual (Seloc) Seloc,2011 Covers all 2 5 350 HP 1 4 cylinder V6 and V8 4 stroke models Includes jet drives Wiring diagrams Cover [Yamaha YZF-R6, '06-13](#) Haynes Publishing,2018-03-01 Each Haynes manual provides specific and detailed instructions for performing everything from basic maintenance and troubleshooting to a complete overhaul of the machine in this case the Yamaha YZF R6 model years 2006 through 2013 Do it yourselfers will find this service and repair manual more comprehensive than the factory manual making it an indispensable part of their tool box A typical Haynes manual covers general information troubleshooting lubrication and routine maintenance engine top end engine lower end primary drive clutch and external shift mechanism transmission and internal shift mechanism engine management system electrical system wheels tires and drivebelt front suspension and steering rear suspension brakes body and color wiring diagrams An index makes the manual easy to navigate

Yamaha Service Repair Manual [for] YL-1, YLIE. , *Yamaha Seca II (XJ600S), '92-'03* Haynes Publishing,2018-05-01 Each Haynes manual provides specific and detailed instructions for performing everything from basic maintenance and troubleshooting to a complete overhaul of the machine in this case the Yamaha Seca II XJ600S model years 1992 2003 Do it yourselfers will find this service and repair manual more comprehensive than the factory manual making it an indispensable part of their tool box A typical Haynes manual covers general information troubleshooting lubrication and routine maintenance engine top end engine lower end primary drive clutch and external shift mechanism transmission and internal shift mechanism engine management system electrical system wheels tires and drivebelt front suspension and steering rear suspension brakes body and color wiring diagrams An index makes the manual easy to navigate

Yamaha XJ600S & XJ600N Alan Ahlstrand,John Harold Haynes,1999 *Yamaha MT-07, '14-'17* Haynes Publishing,2018-05-01 Each Haynes manual provides specific and detailed instructions for performing everything from basic maintenance and troubleshooting to a complete overhaul of the machine in this case the Yamaha MT 07 model years 2014 through 2017 Do it yourselfers will find this service and repair manual more comprehensive than the factory manual making it an indispensable part of their tool box A typical Haynes manual covers general information troubleshooting lubrication and routine maintenance engine top end engine lower end primary drive clutch and external shift mechanism transmission and internal shift mechanism engine management system electrical system wheels tires and drivebelt front suspension and steering rear suspension brakes body and color wiring diagrams An index makes the manual easy to navigate

Yamaha 115etlj Outboard Service Repair Maintenance Manual Factory: Bestsellers in 2023 The year 2023 has witnessed a remarkable surge in literary brilliance, with numerous captivating novels captivating the hearts of readers worldwide. Lets delve into the realm of top-selling books, exploring the engaging narratives that have enthralled audiences this year. Yamaha 115etlj Outboard Service Repair Maintenance Manual Factory : Colleen Hoover's "It Ends with Us" This heartfelt tale of love, loss, and resilience has gripped readers with its raw and emotional exploration of domestic abuse. Hoover expertly weaves a story of hope and healing, reminding us that even in the darkest of times, the human spirit can triumph. Uncover the Best : Taylor Jenkins Reids "The Seven Husbands of Evelyn Hugo" This captivating historical fiction novel unravels the life of Evelyn Hugo, a Hollywood icon who defies expectations and societal norms to pursue her dreams. Reids compelling storytelling and compelling characters transport readers to a bygone era, immersing them in a world of glamour, ambition, and self-discovery. Discover the Magic : Delia Owens "Where the Crawdads Sing" This mesmerizing coming-of-age story follows Kya Clark, a young woman who grows up alone in the marshes of North Carolina. Owens weaves a tale of resilience, survival, and the transformative power of nature, captivating readers with its evocative prose and mesmerizing setting. These top-selling novels represent just a fraction of the literary treasures that have emerged in 2023. Whether you seek tales of romance, adventure, or personal growth, the world of literature offers an abundance of engaging stories waiting to be discovered. The novel begins with Richard Papen, a bright but troubled young man, arriving at Hampden College. Richard is immediately drawn to the group of students who call themselves the Classics Club. The club is led by Henry Winter, a brilliant and charismatic young man. Henry is obsessed with Greek mythology and philosophy, and he quickly draws Richard into his world. The other members of the Classics Club are equally as fascinating. Bunny Corcoran is a wealthy and spoiled young man who is always looking for a good time. Charles Tavis is a quiet and reserved young man who is deeply in love with Henry. Camilla Macaulay is a beautiful and intelligent young woman who is drawn to the power and danger of the Classics Club. The students are all deeply in love with Morrow, and they are willing to do anything to please him. Morrow is a complex and mysterious figure, and he seems to be manipulating the students for his own purposes. As the students become more involved with Morrow, they begin to commit increasingly dangerous acts. The Secret History is an exceptional and suspenseful novel that will keep you speculating until the very end. The novel is a cautionary tale about the dangers of obsession and the power of evil.

<https://ftp.barnabastoday.com/About/browse/fetch.php/Usability%20Of%20Speech%20Dialog%20Systems%20Usability%20Of%20Speech%20Dialog%20Systems.pdf>

Table of Contents Yamaha 115etlj Outboard Service Repair Maintenance Manual Factory

1. Understanding the eBook Yamaha 115etlj Outboard Service Repair Maintenance Manual Factory
 - The Rise of Digital Reading Yamaha 115etlj Outboard Service Repair Maintenance Manual Factory
 - Advantages of eBooks Over Traditional Books
2. Identifying Yamaha 115etlj Outboard Service Repair Maintenance Manual Factory
 - Exploring Different Genres
 - Considering Fiction vs. Non-Fiction
 - Determining Your Reading Goals
3. Choosing the Right eBook Platform
 - Popular eBook Platforms
 - Features to Look for in an Yamaha 115etlj Outboard Service Repair Maintenance Manual Factory
 - User-Friendly Interface
4. Exploring eBook Recommendations from Yamaha 115etlj Outboard Service Repair Maintenance Manual Factory
 - Personalized Recommendations
 - Yamaha 115etlj Outboard Service Repair Maintenance Manual Factory User Reviews and Ratings
 - Yamaha 115etlj Outboard Service Repair Maintenance Manual Factory and Bestseller Lists
5. Accessing Yamaha 115etlj Outboard Service Repair Maintenance Manual Factory Free and Paid eBooks
 - Yamaha 115etlj Outboard Service Repair Maintenance Manual Factory Public Domain eBooks
 - Yamaha 115etlj Outboard Service Repair Maintenance Manual Factory eBook Subscription Services
 - Yamaha 115etlj Outboard Service Repair Maintenance Manual Factory Budget-Friendly Options
6. Navigating Yamaha 115etlj Outboard Service Repair Maintenance Manual Factory eBook Formats
 - ePub, PDF, MOBI, and More
 - Yamaha 115etlj Outboard Service Repair Maintenance Manual Factory Compatibility with Devices
 - Yamaha 115etlj Outboard Service Repair Maintenance Manual Factory Enhanced eBook Features
7. Enhancing Your Reading Experience
 - Adjustable Fonts and Text Sizes of Yamaha 115etlj Outboard Service Repair Maintenance Manual Factory
 - Highlighting and Note-Taking Yamaha 115etlj Outboard Service Repair Maintenance Manual Factory
 - Interactive Elements Yamaha 115etlj Outboard Service Repair Maintenance Manual Factory

8. Staying Engaged with Yamaha 115etlj Outboard Service Repair Maintenance Manual Factory
 - Joining Online Reading Communities
 - Participating in Virtual Book Clubs
 - Following Authors and Publishers Yamaha 115etlj Outboard Service Repair Maintenance Manual Factory
9. Balancing eBooks and Physical Books Yamaha 115etlj Outboard Service Repair Maintenance Manual Factory
 - Benefits of a Digital Library
 - Creating a Diverse Reading Collection Yamaha 115etlj Outboard Service Repair Maintenance Manual Factory
10. Overcoming Reading Challenges
 - Dealing with Digital Eye Strain
 - Minimizing Distractions
 - Managing Screen Time
11. Cultivating a Reading Routine Yamaha 115etlj Outboard Service Repair Maintenance Manual Factory
 - Setting Reading Goals Yamaha 115etlj Outboard Service Repair Maintenance Manual Factory
 - Carving Out Dedicated Reading Time
12. Sourcing Reliable Information of Yamaha 115etlj Outboard Service Repair Maintenance Manual Factory
 - Fact-Checking eBook Content of Yamaha 115etlj Outboard Service Repair Maintenance Manual Factory
 - Distinguishing Credible Sources
13. Promoting Lifelong Learning
 - Utilizing eBooks for Skill Development
 - Exploring Educational eBooks
14. Embracing eBook Trends
 - Integration of Multimedia Elements
 - Interactive and Gamified eBooks

Yamaha 115etlj Outboard Service Repair Maintenance Manual Factory Introduction

In today's digital age, the availability of Yamaha 115etlj Outboard Service Repair Maintenance Manual Factory books and manuals for download has revolutionized the way we access information. Gone are the days of physically flipping through pages and carrying heavy textbooks or manuals. With just a few clicks, we can now access a wealth of knowledge from the comfort of our own homes or on the go. This article will explore the advantages of Yamaha 115etlj Outboard Service Repair Maintenance Manual Factory books and manuals for download, along with some popular platforms that offer these resources.

Yamaha 115etlj Outboard Service Repair Maintenance Manual Factory

One of the significant advantages of Yamaha 115etlj Outboard Service Repair Maintenance Manual Factory books and manuals for download is the cost-saving aspect. Traditional books and manuals can be costly, especially if you need to purchase several of them for educational or professional purposes. By accessing Yamaha 115etlj Outboard Service Repair Maintenance Manual Factory versions, you eliminate the need to spend money on physical copies. This not only saves you money but also reduces the environmental impact associated with book production and transportation. Furthermore, Yamaha 115etlj Outboard Service Repair Maintenance Manual Factory books and manuals for download are incredibly convenient. With just a computer or smartphone and an internet connection, you can access a vast library of resources on any subject imaginable. Whether you're a student looking for textbooks, a professional seeking industry-specific manuals, or someone interested in self-improvement, these digital resources provide an efficient and accessible means of acquiring knowledge. Moreover, PDF books and manuals offer a range of benefits compared to other digital formats. PDF files are designed to retain their formatting regardless of the device used to open them. This ensures that the content appears exactly as intended by the author, with no loss of formatting or missing graphics. Additionally, PDF files can be easily annotated, bookmarked, and searched for specific terms, making them highly practical for studying or referencing. When it comes to accessing Yamaha 115etlj Outboard Service Repair Maintenance Manual Factory books and manuals, several platforms offer an extensive collection of resources. One such platform is Project Gutenberg, a nonprofit organization that provides over 60,000 free eBooks. These books are primarily in the public domain, meaning they can be freely distributed and downloaded. Project Gutenberg offers a wide range of classic literature, making it an excellent resource for literature enthusiasts. Another popular platform for Yamaha 115etlj Outboard Service Repair Maintenance Manual Factory books and manuals is Open Library. Open Library is an initiative of the Internet Archive, a non-profit organization dedicated to digitizing cultural artifacts and making them accessible to the public. Open Library hosts millions of books, including both public domain works and contemporary titles. It also allows users to borrow digital copies of certain books for a limited period, similar to a library lending system. Additionally, many universities and educational institutions have their own digital libraries that provide free access to PDF books and manuals. These libraries often offer academic texts, research papers, and technical manuals, making them invaluable resources for students and researchers. Some notable examples include MIT OpenCourseWare, which offers free access to course materials from the Massachusetts Institute of Technology, and the Digital Public Library of America, which provides a vast collection of digitized books and historical documents. In conclusion, Yamaha 115etlj Outboard Service Repair Maintenance Manual Factory books and manuals for download have transformed the way we access information. They provide a cost-effective and convenient means of acquiring knowledge, offering the ability to access a vast library of resources at our fingertips. With platforms like Project Gutenberg, Open Library, and various digital libraries offered by educational institutions, we have access to an ever-expanding collection of books and manuals. Whether for

educational, professional, or personal purposes, these digital resources serve as valuable tools for continuous learning and self-improvement. So why not take advantage of the vast world of Yamaha 115etlj Outboard Service Repair Maintenance Manual Factory books and manuals for download and embark on your journey of knowledge?

FAQs About Yamaha 115etlj Outboard Service Repair Maintenance Manual Factory Books

1. Where can I buy Yamaha 115etlj Outboard Service Repair Maintenance Manual Factory books? Bookstores: Physical bookstores like Barnes & Noble, Waterstones, and independent local stores. Online Retailers: Amazon, Book Depository, and various online bookstores offer a wide range of books in physical and digital formats.
2. What are the different book formats available? Hardcover: Sturdy and durable, usually more expensive. Paperback: Cheaper, lighter, and more portable than hardcovers. E-books: Digital books available for e-readers like Kindle or software like Apple Books, Kindle, and Google Play Books.
3. How do I choose a Yamaha 115etlj Outboard Service Repair Maintenance Manual Factory book to read? Genres: Consider the genre you enjoy (fiction, non-fiction, mystery, sci-fi, etc.). Recommendations: Ask friends, join book clubs, or explore online reviews and recommendations. Author: If you like a particular author, you might enjoy more of their work.
4. How do I take care of Yamaha 115etlj Outboard Service Repair Maintenance Manual Factory books? Storage: Keep them away from direct sunlight and in a dry environment. Handling: Avoid folding pages, use bookmarks, and handle them with clean hands. Cleaning: Gently dust the covers and pages occasionally.
5. Can I borrow books without buying them? Public Libraries: Local libraries offer a wide range of books for borrowing. Book Swaps: Community book exchanges or online platforms where people exchange books.
6. How can I track my reading progress or manage my book collection? Book Tracking Apps: Goodreads, LibraryThing, and Book Catalogue are popular apps for tracking your reading progress and managing book collections. Spreadsheets: You can create your own spreadsheet to track books read, ratings, and other details.
7. What are Yamaha 115etlj Outboard Service Repair Maintenance Manual Factory audiobooks, and where can I find them? Audiobooks: Audio recordings of books, perfect for listening while commuting or multitasking. Platforms: Audible, LibriVox, and Google Play Books offer a wide selection of audiobooks.
8. How do I support authors or the book industry? Buy Books: Purchase books from authors or independent bookstores. Reviews: Leave reviews on platforms like Goodreads or Amazon. Promotion: Share your favorite books on social media

or recommend them to friends.

9. Are there book clubs or reading communities I can join? Local Clubs: Check for local book clubs in libraries or community centers. Online Communities: Platforms like Goodreads have virtual book clubs and discussion groups.
10. Can I read Yamaha 115etlj Outboard Service Repair Maintenance Manual Factory books for free? Public Domain Books: Many classic books are available for free as they're in the public domain. Free E-books: Some websites offer free e-books legally, like Project Gutenberg or Open Library.

Find Yamaha 115etlj Outboard Service Repair Maintenance Manual Factory :

usability of speech dialog systems usability of speech dialog systems

us history regents june 2014 answer

up the down staircase

unleash the night dark hunter book 9

us against them an oral history of the ryder cup

upton sinclair other american 542362

us navy mm rating manuals

urne burial penguin great ideas by browne thomas 2005 paperback

unlocking the iron cage the mens movement gender politics and american culture

unto a good land the emigrants book ii bk 2

unterhaltsrecht dieter b te

unmasking catholicism what hides behind the modern public image

~~unpublished essay edwards trinity theology~~

unternehmenskommunikation public relations versus marketing

unofficial cardiff unofficial cardiff

Yamaha 115etlj Outboard Service Repair Maintenance Manual Factory :

pdf dampak pengurangan tanah terhadap lingkungan - Feb 15 2022

web 14 urugan tepi pondasi batu kali 1 153 15 urugan tepi footplat 1 35 16 urugan tanah bawah lantai 2 39 17 urugan pasir

bawah pondasi 1 7 18 urugan pasir bawah lantai 1 16ff 19

career with ura urban redevelopment authority - Nov 14 2021

metode pelaksanaan pekerjaan pengurugan tanah konstruksi sipil - Nov 26 2022

web may 3 2023 pada dasarnya rumus menghitung kebutuhan urugan tanah adalah $1\ 2 \times \text{volume area yang akan diurug}$
volume bak truk volume urugan tanah bisa pins

rks pekerjaan tanah galian dan urugan dalam proyek - May 01 2023

web apr 1 2019 pekerjaan urugan pasir bahan urugan pasir adalah pasir urug atau pasang sesuai dengan kebutuhan pasir urug harus bebas dari kotoran dan biji bijian

pengurugan 1 m3 dengan pasir urug ahsp analisa harga - Apr 19 2022

web jul 7 2019 sebagai urugan terdapat tahap tahap melakukan pengurugan tanah yaitu sebagai berikut tahap persiapan di dalam tahap ini perusahaan yang akan melakukan

metode pelaksanaan pekerjaan urugan dan - Jan 29 2023

web mar 6 2022 bahan urugan harus memenuhi persyaratan sebagai berikut terlebih dahulu diadakan test dan hasilnya harus tertulis serta diketahui oleh konsultan pengawas

pekerjaan urugan tanah sirtu gragal padas tanah merah - Oct 06 2023

web jenis tanah urug yang baik pekerjaan pengurugan tanah penting dalam memenuhi kebutuhan akan tanah urug tapi ingat tidak semua jenis tanah cocok untuk dijadikan

cara menghitung urugan tanah beserta rumusnya pinhome - Sep 24 2022

web metode pelaksanaan pekerjaan urugan tanah kembali dengan alat berat pekerjaan urugan tanah merupakan proses pemindahan tanah dari satu tempat ke tempat lain

pekerjaan urugan tanah panduan lengkap untuk anda - Aug 04 2023

web mar 27 2023 pekerjaan urugan tanah adalah proses penting untuk meningkatkan kualitas lahan namun pekerjaan ini memerlukan keahlian dan peralatan khusus dan

a 2 3 1 11 a pengurugan 1 m3 dengan pasir urug - Jun 21 2022

web aug 9 2023 analisa harga satuan pekerjaan ahsp dan contoh perhitungan rencana anggaran biaya rab pengurugan 1 m3 dengan pasir urug

turki pekerjaan dan gaji - Oct 14 2021

tata cara penimbunan dan bahan urug umum pada - Dec 28 2022

web dec 5 2022 sarana mandiri perkasa metode pelaksanaan pekerjaan tanah dan urugan berikut adalah metode pelaksanaan pekerjaan tanah dan urugan dalam

pekerjaan galian dan urugan dan pondasi - May 21 2022

web pekerjaan urugan dan pemadatan yang dimaksudkan di sini adalah pekerjaan pengurugan dan pemadatan tanah dengan syarat khusus dimana tanah hasil urugan ini

pekerjaan urugan dan pemadatan blogger - Mar 19 2022

web apr 10 2021 berikut ini rumahmaterial com ingin berbagi analisa harga satuan pekerjaan tanah sesuai format permen pupr dan sni terutama untuk koefisiennya sedangkan

soal tugas perencanaan dan penjadwalan - Dec 16 2021

web kurir turki pengemudi kelas c turki pengemudi kelas d turki pengemudi kelas b turki pengemudi bus kota turki pengemudi transportasi umum bus turki agen travel turki

pekerjaan tanah dan urugan pasir spesifikasi - Jul 03 2023

web pekerjaan urugan tanah dan pemadatan meliputi a urugan tanah dilaksanakan pada lubang lubang sisa pondasi peninggian tanah untuk nol lantai dan pada bagian bagian

metode pelaksanaan pekerjaan urugan tanah kembali dengan - Jul 23 2022

web pekerjaan galian dan urugan dan pondasi dalam dokumen metode pelaksanaan halaman 23 38 denah rencana pekerjaan galian tanah untuk pondasi tapak

cara pengurugan tanah yang memberikan hasil - Mar 31 2023

web 1 2 1 urugan urugan dibagi dalam 2 macam sesuai dengan maksud penggunaannya yaitu urugan biasa adalah urugan yang digunakan untuk pencapaian elevasi akhir

pekerjaan urugan sirtu 1 lingkup pekerjaan 123dok com - Jun 02 2023

web 1 pekerjaan ini mencakup pengadaan pengangkutan penghamparan dan pemadatan tanah sirtu atau bahan bebutir yang disetujui untuk pembuatan urugan untuk

analisa harga satuan pekerjaan tanah sesuai format sni dan - Jan 17 2022

web career with ura be wary of phishing or scam attempts ura will not ask for personal information relating to your accounts such as your singpass id password or banking

metode pelaksanaan tanah dan urugan konstruksi - Oct 26 2022

web dec 21 2021 timbunan atau urugan tanah kembali adalah pekerjaan timbunan urugan yang material tanahnya berasal dari hasil pekerjaan galian tanah hasil galian yang akan

pekerjaan urugan tanah panduan lengkap untuk mengenal - Sep 05 2023

web may 30 2022 urugan tanah adalah pekerjaan konstruksi yang dilakukan untuk menambahkan lapisan tanah pada suatu area yang akan dibangun tujuan utama dari

bab i pekerjaan tanah dasar kementerian pupr - Feb 27 2023

web standar ini mencakup cara cara pembuatan timbunan dan urugan umum pada pekerjaan tanah yang meliputi hal hal yang mempengaruhi seperti desain faktor keamanan

a 2 3 1 9 pengurangan kembali 1 m3 galian tanah - Aug 24 2022

web dec 23 2021 pada dasar galian pondasi diberi urugan pasir padat setebal 5 cm padat pasir diratakan dengan menggunakan tarikan kayu dan selalu dikontrol ketebalan dari

georges pignal la ga c oma c trie filma c e 1re p rob - Sep 30 2023

georges pignal la ga c oma c trie filma c e 1re p georges pignal la ga c oma c trie filma c e 1re p 2 downloaded from nysm pfi org on 2021 09 11 by guest orc king steals

georges pignal la ga c oma c trie filma c e 1re p pdf - Nov 20 2022

sep 20 2023 georges pignal la ga c oma c trie filma c e 1re p 2 7 downloaded from uniport edu ng on september 20 2023 by guest civilization as we know it this work is in the

georges pignal la ga c oma c trie filma c e 1re p 198 58 106 - Jul 17 2022

jan 11 2023 georges pignal la ga c oma c trie filma c e 1re p 1 10 downloaded from 198 58 106 42 on january 11 2023 by guest georges pignal la ga c oma c trie filma c e

georges pignal la ga c oma c trie filma c e 1re p - May 27 2023

georges pignal la ga c oma c trie filma c e 1re p georges pignal la ga c oma c trie filma c e 1re p 3 downloaded from nysm pfi org on 2022 07 08 by guest on the subject since

georges pignal la ga c oma c trie filma c e 1re p - Sep 18 2022

jun 19 2023 georges pignal la ga c oma c trie filma c e 1re p yeah reviewing a book georges pignal la ga c oma c trie filma c e 1re p could add your near contacts listings

georges pignal la ga c oma c trie filma c e 1re p pdf - Aug 30 2023

oct 24 2023 web11 jan 2023 georges pignal la ga c oma c trie filma c e 1re p 2 10 downloaded from 198 58 106 42 on january 11 2023 by guest the opportunity to study these

georges pignal la ga c oma c trie filma c e 1re p copy - Dec 10 2021

mar 17 2023 georges pignal la ga c oma c trie filma c e 1re p 1 8 downloaded from uniport edu ng on march 17 2023 by guest georges pignal la ga c oma c trie filma c e

georges pignal la ga c oma c trie filma c e 1re p pdf - Mar 25 2023

georges pignal la ga c oma c trie filma c e 1re p if you ally habit such a referred georges pignal la ga c oma c trie filma c e 1re p books that will offer you worth acquire the

georges pignal la ga c oma c trie filma c e 1re p uniport edu - Oct 20 2022

apr 9 2023 georges pignal la ga c oma c trie filma c e 1re p pdf web23 sep 2022 georges pignal la ga c oma c trie filma c e 1re p 1 1 downloaded from ny

georges pignal la ga c oma c trie filma c e 1re p - Jun 27 2023

4 georges pignal la ga c oma c trie filma c e 1re p 2021 06 13 educational practices from multiple fronts of course if anarchists agree that there are no blueprints for education the

georges pignal la ga c oma c trie filma c e 1re p 198 58 106 - Jan 23 2023

jan 12 2023 georges pignal la ga c oma c trie filma c e 1re p 2 7 downloaded from 198 58 106 42 on january 12 2023 by guest established as well as new approaches using

georges pignal la ga c oma c trie filma c e 1re p download - Apr 13 2022

georges pignal la ga c oma c trie filma c e 1re p 3 3 result of collaboration between international specialists analyzes the multiplicity of these morphologies it explores the origin

georges pignal la ga c oma c trie filma c e 1re p copy - Apr 25 2023

georges pignal la ga c oma c trie filma c e 1re p 3 8 downloaded from uniport edu ng on june 27 2023 by guest introduces protected qubits 0 π qubits fluxon parity protected qubits and

georges pignal la ga c oma c trie filma c e 1re p uniport edu - Jun 15 2022

sep 28 2023 georges pignal la ga c oma c trie filma c e 1re p 2 7 downloaded from uniport edu ng on september 28 2023 by guest conservation and education water

georges pignal la ga c oma c trie filma c e 1re p copy - Jan 11 2022

georges pignal la ga c oma c trie filma c e 1re p 3 3 chapter 7 and protein stability in sterilised milk chapter 10 have been revised and expanded considerably by new authors and

georges pignal la ga c oma c trie filma c e 1re p copy - May 15 2022

sep 29 2023 web16 jun 2023 georges pignal la ga c oma c trie filma c e 1re p pdf is available in our digital library an online access to it is set as public so you can download it

georges pignal la ga c oma c trie filma c e 1re p copy - Aug 18 2022

oct 15 2023 georges pignal la ga c oma c trie filma c e 1re p 1 8 downloaded from uniport edu ng on october 15 2023 by guest georges pignal la ga c oma c trie filma c

georges pignal la ga c oma c trie filma c e 1re p pdf - Dec 22 2022

georges pignal la ga c oma c trie filma c e 1re p 2 7 downloaded from 198 58 106 42 on december 12 2022 by guest diptera tephritidae that induces a gall on the plant stem and a

pig 2021 movie explained in bangla youtube - Feb 09 2022

jan 24 2022 pig best movie explain in bangla pig hollywood full movie explainedtopic covered in video pig nicolas cage best hollywood movie in bengalinelw movie explaine

[pig il significato del bellissimo film con nicholas cage è in un - Mar 13 2022](#)

feb 1 2022 guardando il trailer di pig opera prima dell americano michael sarnoski la prima sensazione che abbiamo è di trovarci di fronte all ennesimo b movie in cui un folle nicolas

[georges pignal la ga c oma c trie filma c e 1re p pdf - Feb 21 2023](#)

jun 20 2023 georges pignal la ga c oma c trie filma c e 1re p pdf recognizing the habit ways to acquire this book georges pignal la ga c oma c trie filma c e 1re p pdf is

georges pignal la ga c oma c trie filma c e 1re p pdf - Nov 08 2021

nov 14 2022 georges pignal la ga c oma c trie filma c e 1re p 1 7 downloaded from staging friends library org on november 14 2022 by guest georges pignal la ga c oma c

georges pignal la ga c oma c trie filma c e 1re p pdf - Jul 29 2023

oct 19 2022 georges pignal la ga c oma c trie filma c e 1re p 1 10 downloaded from staging friends library org on october 19 2022 by guest georges pignal la ga c oma c

circuit design arduino metal detector tinkercad - Sep 06 2022

web circuit design arduino metal detector created by gulhuma2016 with tinkercad

microcontroller controlled metal detector projects - Nov 27 2021

web oct 31 2016 microcontroller controlled metal detector projects monday october 31 2016 ibrar ayyub result of displays in the form of two scales which are estimated to judge the material goal in addition the screen is small

metal detector project microsoft makecode for micro bit - Aug 05 2022

web metal detector project edit code mini project review activity project standards coordinates overview unplugged activity project standards booleans about support translate sharing projects offline support save developers command line interface visual studio code support blocks embed projects

basic electronics engineering mini project metal detector github - Jul 04 2022

web we made a metal detector in first year of engineering this repo has the report for it basic electronics engineering mini project metal detector mini project doc at master adityakangune basic

metal detector on arduino pro mini - Nov 08 2022

web home arduino projects metal detector on arduino pro mini metal detector on arduino pro mini reworking of the kolokolov shchedrin deep well scheme differences from the original circuit 1 there is no quartz oscillator on the k561 chip and quartz at 32 khz the 32 khz signal is given by the arduino pro mini 2

metal detector circuit with diagram and schematic circuitstoday - Mar 12 2023

web apr 5 2020 description this is the circuit diagram of a low cost metal detector using a single transistor circuit and an old pocket radio this is nothing but a colpitts oscillator working in the medium band frequency and a radio tuned to the same frequency first the radio and the circuit are placed close

mini project fabrication of metal detector pdf scribd - Sep 25 2021

web mini project fabrication of metal detector free download as pdf file pdf text file txt or read online for free

metal detector project report pdf document - Oct 27 2021

web sep 8 2014 description the document contains the basic circuit of a metal detector data sheets of the component used and explains the working of a metal detector circuit transcript page 1 electronics workshop practice project report metal detector by vikram srivastava 257 yash kapadia

my mini project pdf metal detector printed circuit board - Feb 28 2022

web significance of metal detectors have long been used by hobbyists and archaeologists to find buried treasure or objects the military has an important use for metal detectors which help soldiers find dangerous land mines features of modern metal detectors feature an array of computer systems that refine the detection capabilities of the device

simple metal detector 8 steps with pictures instructables - Jan 10 2023

web step 1 parts and materials parts 555 47 k Ω resistor two 2 μ 2 f capacitor pcb 9 v battery switch battery cable and some wires buzzer 100 m of copper wire 0.2 mm in diameter gaffer tape and wood glue instead of buzzer you can use 10 μ f capacitor and speaker 8 Ω impedance tools breadboard and wires

simple arduino metal detector 8 steps with pictures instructables - Aug 17 2023

web simple arduino metal detector a new version has been posted that is even simpler instructables.com minimal arduino metal detector metal detection is a great past time that gets you outdoors discover new places and maybe find something interesting check yo

diy metal detector using arduino step by step techatronic - Feb 11 2023

web feb 24 2020 how to make a metal detector welcome to the techatronic in this article we will share with you how to make a metal detector with the arduino arduino is the basic controller board that is using widely in the area of basic level projects so this project i am making also on the same

arduino metal detector project with code and circuit diagram - Jun 15 2023

web jan 6 2018 metal detector is a security device which is used for detecting metals which can be harmful at various places like airports shopping malls cinemas etc previously we have made a very simple metal detector without a microcontroller now we are building the metal detector using arduino

top 10 metal detektor ideas and inspiration pinterest - Jun 03 2022

web discover pinterest s 10 best ideas and inspiration for metal detektor get inspired and try out new things saved from hackster io diy arduino based pulse induction metal detector the detector can detect a small metal coin at a distance of 15 centimeters arduino bluetooth arduino projects

7 simple metal detector circuits explained homemade circuit projects - Apr 13 2023

web sep 1 2023 you are here home mini projects 7 simple metal detector circuits explained 7 simple metal detector circuits explained last updated on september 1 2023 by swagatam 6 comments the post explains 7 simple metal detector circuits using lc tuned concept magnetic absorption concept and the beat frequency oscillator bfo

simple metal detector circuit using 555 timer electro gadget - Oct 07 2022

web may 25 2020 in this project we are going to make a simple ground search metal detector using a 555 timer ic must read 555 timer projects table of contents project circuit diagram components required 555 timer ic 47 kΩ resistor 2 2 μf 25v electrolytic capacitor 10 uf 25v electrolytic capacitor buzzer 170 turns of 10 cm

simple metal detector circuit with applications elprocus - May 14 2023

web this project includes a metal detector circuit that is interfaced with the control unit which generates an alarm to the user when a metal is near to it an 8051 microcontroller is used for the desired operation at the transmitter side an android application is used to send commands to the receiver

poster presentation mini project metal detector circuit group 7 - May 02 2022

web poster presentation mini project metal detector circuit group 7 youtube mohamad syahrul azim bin mazlan 3 subscribers subscribe 0 share save 25 views

build your own metal detector with an arduino projects - Jul 16 2023

web oct 3 2016 for this metal detector project we will be using an arduino to process the oscillation signal instead of offsetting the oscillation with a second tank circuit the arduino will store the fixed frequency and continuously compare the incoming frequency of the detector circuit with the stored frequency more on the arduino program below

simple metal detector circuit diagram using 555 timer ic - Dec 09 2022

web may 14 2015 simple metal detector project using 555 timer ic you can find a metal detector at airports theaters and various other public places they are used for the safety of people to detect anyone carrying a metal arms etc in this project we are going to design a simple metal detector circuit

metal detector project report pdf metal detector inductor - Apr 01 2022

web metal finders more accurate term is metal detectors as the metal detector s main function is to detect the presence of metal objects including for example underground buried metal targets such as gold treasures bronze statues archaeological

artifacts made of different metal types

metal detector using ic555 mini project one stop for all college - Jan 30 2022

web metal detector using ic555 mini project 600 00 500 00 availability in stock add to cart add to wishlist category mini

projects description reviews 0 product description metal detector using 555 timer ic introduction ic 555 has tons of

applications in day to life and that s the reason it is still a significant ic chip

pdf project report on metal detector researchgate - Dec 29 2021

web jun 8 2005 project report on metal detector authors manu mitra university of bridgeport download file pdf abstract the

main aim of the project is to detect the metal near by to the sensor