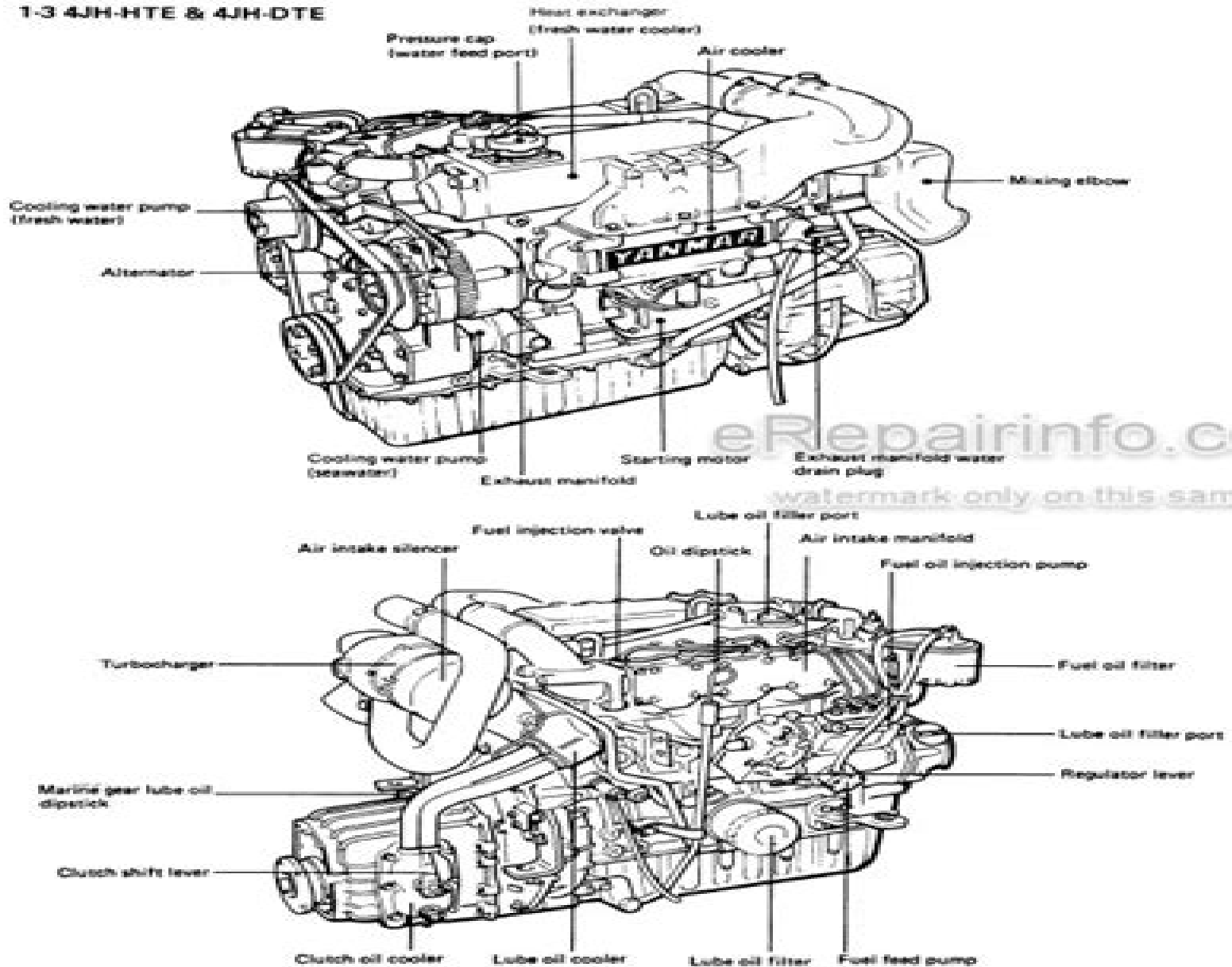


1-3 4JH-HTE & 4JH-DTE



# Yanmar 4jh Dte Service Manual

**Diamond T Motor Car Company.  
Service Dept**



## **Yanmar 4jh Dte Service Manual:**

**Yanmar Marine Diesel Engines 4jhe, 4jh-Te, 4jh-Hte, 4jh-Dte** Yanmar,2013-06 Complete Service Handbook for the Yanmar Marine Diesel Engines 4JHE 4JH TE 4JH THE and 4JH DTE **YANMAR MARINE DIESEL ENGINES 4JHE, 4JH-TE, 4JH-HTE, 4JH-DTE** Yanmar,2013-10-07 *Yanmar Excavator* , Allis-Chalmers Shop Manual Ac-202 (I&T Shop Service Manuals/Ac-202) Penton Staff,2000-05-24 Model D 19 Models 180 185 190 190XT 200 7000 Models D 21 D 21 Series II Two Ten Two Twenty Models 7010 7020 7030 7040 7045 7050 7060 7080 Gas and diesel Diesel **Technical Service Manual** , 1975 - 1976 Jeep Model DJ-5D Dispatcher Service Manual Jeep Corporation,2020-05-28 This 1975 1976 Jeep Model DJ 5D Dispatcher Service Manual is a high quality licensed PRINT reproduction of the service manual authored by Jeep Corporation and published by Detroit Iron This OEM factory manual is 8 5 x 11 inches paperback bound shrink wrapped and contains 342 pages of comprehensive mechanical instructions with detailed diagrams photos and specifications for the mechanical components of your vehicle such as the engine transmission suspension brakes fuel exhaust steering electrical and drive line Service repair manuals were originally written by the automotive manufacturer to be used by their dealership mechanics The following 1975 1976 Jeep models are covered DJ5 This factory written Detroit Iron shop manual is perfect for the restorer or anyone working on one of these vehicles *Mistubishi Jeep Diesel English Service Manual 4DR5* James Danko,2009-03-03 Complete factory style service manual for Mitsubishi Jeeps produced in Japan This manual covers both Military Civilian versions of domestic and export versions Complete rebuild of you engine and turbocharger if equipped Easy to use diagrams and full specification guide Rebuild your engine Fuel Injection timing gears starter alternator and more This book is a must for the Mitsubishi Jeep owner All written in English **Service Manual** White Motor Corporation,1976 **Chilton's Truck Repair Manual** Chilton Book Company. Automotive Editorial Department,1974 **Service Manual** Diamond T Motor Car Company. Service Dept,1948

Discover tales of courage and bravery in Crafted by is empowering ebook, Unleash Courage in **Yanmar 4jh Dte Service Manual** . In a downloadable PDF format ( \*), this collection inspires and motivates. Download now to witness the indomitable spirit of those who dared to be brave.

<https://ftp.barnabastoday.com/book/publication/HomePages/to%20even%20have%20dreams%20corwint%20central%20agent%20files.pdf>

## **Table of Contents Yanmar 4jh Dte Service Manual**

1. Understanding the eBook Yanmar 4jh Dte Service Manual
  - The Rise of Digital Reading Yanmar 4jh Dte Service Manual
  - Advantages of eBooks Over Traditional Books
2. Identifying Yanmar 4jh Dte Service Manual
  - Exploring Different Genres
  - Considering Fiction vs. Non-Fiction
  - Determining Your Reading Goals
3. Choosing the Right eBook Platform
  - Popular eBook Platforms
  - Features to Look for in an Yanmar 4jh Dte Service Manual
  - User-Friendly Interface
4. Exploring eBook Recommendations from Yanmar 4jh Dte Service Manual
  - Personalized Recommendations
  - Yanmar 4jh Dte Service Manual User Reviews and Ratings
  - Yanmar 4jh Dte Service Manual and Bestseller Lists
5. Accessing Yanmar 4jh Dte Service Manual Free and Paid eBooks
  - Yanmar 4jh Dte Service Manual Public Domain eBooks
  - Yanmar 4jh Dte Service Manual eBook Subscription Services
  - Yanmar 4jh Dte Service Manual Budget-Friendly Options

6. Navigating Yanmar 4jh Dte Service Manual eBook Formats
  - ePub, PDF, MOBI, and More
  - Yanmar 4jh Dte Service Manual Compatibility with Devices
  - Yanmar 4jh Dte Service Manual Enhanced eBook Features
7. Enhancing Your Reading Experience
  - Adjustable Fonts and Text Sizes of Yanmar 4jh Dte Service Manual
  - Highlighting and Note-Taking Yanmar 4jh Dte Service Manual
  - Interactive Elements Yanmar 4jh Dte Service Manual
8. Staying Engaged with Yanmar 4jh Dte Service Manual
  - Joining Online Reading Communities
  - Participating in Virtual Book Clubs
  - Following Authors and Publishers Yanmar 4jh Dte Service Manual
9. Balancing eBooks and Physical Books Yanmar 4jh Dte Service Manual
  - Benefits of a Digital Library
  - Creating a Diverse Reading Collection Yanmar 4jh Dte Service Manual
10. Overcoming Reading Challenges
  - Dealing with Digital Eye Strain
  - Minimizing Distractions
  - Managing Screen Time
11. Cultivating a Reading Routine Yanmar 4jh Dte Service Manual
  - Setting Reading Goals Yanmar 4jh Dte Service Manual
  - Carving Out Dedicated Reading Time
12. Sourcing Reliable Information of Yanmar 4jh Dte Service Manual
  - Fact-Checking eBook Content of Yanmar 4jh Dte Service Manual
  - Distinguishing Credible Sources
13. Promoting Lifelong Learning
  - Utilizing eBooks for Skill Development
  - Exploring Educational eBooks
14. Embracing eBook Trends
  - Integration of Multimedia Elements

- Interactive and Gamified eBooks

## **Yanmar 4jh Dte Service Manual Introduction**

In the digital age, access to information has become easier than ever before. The ability to download Yanmar 4jh Dte Service Manual has revolutionized the way we consume written content. Whether you are a student looking for course material, an avid reader searching for your next favorite book, or a professional seeking research papers, the option to download Yanmar 4jh Dte Service Manual has opened up a world of possibilities. Downloading Yanmar 4jh Dte Service Manual provides numerous advantages over physical copies of books and documents. Firstly, it is incredibly convenient. Gone are the days of carrying around heavy textbooks or bulky folders filled with papers. With the click of a button, you can gain immediate access to valuable resources on any device. This convenience allows for efficient studying, researching, and reading on the go. Moreover, the cost-effective nature of downloading Yanmar 4jh Dte Service Manual has democratized knowledge. Traditional books and academic journals can be expensive, making it difficult for individuals with limited financial resources to access information. By offering free PDF downloads, publishers and authors are enabling a wider audience to benefit from their work. This inclusivity promotes equal opportunities for learning and personal growth. There are numerous websites and platforms where individuals can download Yanmar 4jh Dte Service Manual. These websites range from academic databases offering research papers and journals to online libraries with an expansive collection of books from various genres. Many authors and publishers also upload their work to specific websites, granting readers access to their content without any charge. These platforms not only provide access to existing literature but also serve as an excellent platform for undiscovered authors to share their work with the world. However, it is essential to be cautious while downloading Yanmar 4jh Dte Service Manual. Some websites may offer pirated or illegally obtained copies of copyrighted material. Engaging in such activities not only violates copyright laws but also undermines the efforts of authors, publishers, and researchers. To ensure ethical downloading, it is advisable to utilize reputable websites that prioritize the legal distribution of content. When downloading Yanmar 4jh Dte Service Manual, users should also consider the potential security risks associated with online platforms. Malicious actors may exploit vulnerabilities in unprotected websites to distribute malware or steal personal information. To protect themselves, individuals should ensure their devices have reliable antivirus software installed and validate the legitimacy of the websites they are downloading from. In conclusion, the ability to download Yanmar 4jh Dte Service Manual has transformed the way we access information. With the convenience, cost-effectiveness, and accessibility it offers, free PDF downloads have become a popular choice for students, researchers, and book lovers worldwide. However, it is crucial to engage in ethical downloading practices and prioritize personal security when utilizing online platforms. By doing so, individuals can make the most of the vast array of free PDF resources available and embark on a journey of

continuous learning and intellectual growth.

## **FAQs About Yanmar 4jh Dte Service Manual Books**

1. Where can I buy Yanmar 4jh Dte Service Manual books? Bookstores: Physical bookstores like Barnes & Noble, Waterstones, and independent local stores. Online Retailers: Amazon, Book Depository, and various online bookstores offer a wide range of books in physical and digital formats.
2. What are the different book formats available? Hardcover: Sturdy and durable, usually more expensive. Paperback: Cheaper, lighter, and more portable than hardcovers. E-books: Digital books available for e-readers like Kindle or software like Apple Books, Kindle, and Google Play Books.
3. How do I choose a Yanmar 4jh Dte Service Manual book to read? Genres: Consider the genre you enjoy (fiction, non-fiction, mystery, sci-fi, etc.). Recommendations: Ask friends, join book clubs, or explore online reviews and recommendations. Author: If you like a particular author, you might enjoy more of their work.
4. How do I take care of Yanmar 4jh Dte Service Manual books? Storage: Keep them away from direct sunlight and in a dry environment. Handling: Avoid folding pages, use bookmarks, and handle them with clean hands. Cleaning: Gently dust the covers and pages occasionally.
5. Can I borrow books without buying them? Public Libraries: Local libraries offer a wide range of books for borrowing. Book Swaps: Community book exchanges or online platforms where people exchange books.
6. How can I track my reading progress or manage my book collection? Book Tracking Apps: Goodreads, LibraryThing, and Book Catalogue are popular apps for tracking your reading progress and managing book collections. Spreadsheets: You can create your own spreadsheet to track books read, ratings, and other details.
7. What are Yanmar 4jh Dte Service Manual audiobooks, and where can I find them? Audiobooks: Audio recordings of books, perfect for listening while commuting or multitasking. Platforms: Audible, LibriVox, and Google Play Books offer a wide selection of audiobooks.
8. How do I support authors or the book industry? Buy Books: Purchase books from authors or independent bookstores. Reviews: Leave reviews on platforms like Goodreads or Amazon. Promotion: Share your favorite books on social media or recommend them to friends.
9. Are there book clubs or reading communities I can join? Local Clubs: Check for local book clubs in libraries or community centers. Online Communities: Platforms like Goodreads have virtual book clubs and discussion groups.

10. Can I read Yanmar 4jh Dte Service Manual books for free? Public Domain Books: Many classic books are available for free as they're in the public domain. Free E-books: Some websites offer free e-books legally, like Project Gutenberg or Open Library.

**Find Yanmar 4jh Dte Service Manual :**

*to even have dreams corwint central agent files*

*tnpsc-gr4 guide*

**tom publisher guide maths class 9**

tohatsu outboard 9 9hp 18hp engine full service repair manual

**tom apostol solutions manual**

**tn 8th grade social studies pacing guide**

*tomb raider legend manual*

*tocci digital systems instructor solution manual*

to kill a mockingbird questions and answers

**today's technician automotive heating & air conditioning classroom manual**

**toen er nog bizons waren**

**tombeau bellay michel deguy duniversalis ebook**

tn60a parts manual

**toilet training without tantrums**

*together with physics lab manual class 12*

**Yanmar 4jh Dte Service Manual :**

**reflexzonen indikationen din a2 verlag hawelka** - Sep 19 2023

reflexzonen indikationen din a2 enthält alle wichtigen abbildungen zur reflexzonentherapie

*reflexzonen therapie poster indikationen din a2 bol com* - May 15 2023

reflexzonen therapie poster indikationen din a2 reflexzonen therapie poster indikationen din a2 is een boek van hawelka

verlag reflexzonen therapie poster indikationen din a2 bol com

reflexzonen therapie poster indikationen din a2 2010 ebay - Sep 07 2022

find many great new used options and get the best deals for reflexzonen therapie poster indikationen din a2 2010 at the best



online prices at ebay free shipping for many products

[reflexzonen therapie poster indikationen din a2](#) - Nov 09 2022

reflexzonen therapie poster indikationen din a2 jetzt online kaufen bei gomevo im geschäft in mecklenburg vorpommern  
vorrätig online bestellen versandkostenfrei ab 20 00

*reflexzonen therapie poster indikationen din a2 2010 ebay* - Oct 08 2022

entdecken sie reflexzonen therapie poster indikationen din a2 2010 in der großen auswahl bei ebay kostenlose lieferung für  
viele artikel

[reflexzonen funktion aufgabe krankheiten medlexi de](#) - Mar 01 2022

funktion aufgabe durch die berührung mit den händen und das massieren der hautbereiche werden die selbstheilungskräfte  
des organismus angeregt insgesamt existieren etwa 30 systeme von reflexzonen die über die hautoberfläche stimuliert  
werden können am bekanntesten sind heute bei uns die reflexzonen an den füßen und an den händen

**reflexzonen therapie poster indikationen din a2 amazon de** - Jul 17 2023

reflexzonen indikationen poster din a2 unser reflexzonen poster highlight hierauf sehen sie nicht nur umfangreiche  
reflexzonen der füße hände auf diesem poster sind zudem viele erkrankungen mit direkter zuordnung zu allen skizzen  
aufgeführt poster buch zugleich unerlässlich für jeden anwender maße 59 4cm x 42cm a2

**reflexzonen therapie poster indikationen din a2 abebooks** - Jan 11 2023

reflexzonen therapie poster indikationen din a2 bei abebooks de isbn 10 3869570741 isbn 13 9783869570747 hawelka verlag  
2010

*reflexzonen therapie poster indikationen din a2* - Feb 12 2023

entdecken sie reflexzonen therapie poster indikationen din a2 in der großen auswahl bei ebay kostenlose lieferung für viele  
artikel

**reflexzonen therapie poster indikationen din a2 hawelka** - Mar 13 2023

hawelka verlag herausgeber hawelka verlag hierauf sehen sie nicht nur umfangreiche reflexzonen der füße hände  
unerlässlich für jeden anwender ideal zum aufhängen in der praxis etc knicke und markierungen sowie persönliche notizen  
sind nicht vorhanden

[reflexzonen therapie poster indikationen din a2 for sale](#) - Jun 04 2022

find many great new used options and get the best deals for reflexzonen therapie poster indikationen din a2 at the best  
online prices at ebay free shipping for many products

*reflexzonen therapie poster indikationen din a2 poster* - Apr 02 2022

reflexzonen therapie poster indikationen din a2 on amazon com au free shipping on eligible orders reflexzonen therapie

poster indikationen din a2

**9783869570747 reflexzonen therapie poster indikationen** - Jul 05 2022

abebooks com reflexzonen therapie poster indikationen din a2 9783869570747 and a great selection of similar new used and collectible books available now at great prices

reflexzonen therapie poster indikationen din a2 poster - Aug 18 2023

reflexzonen therapie poster indikationen din a2 hawelka verlag hawelka amazon com tr kitap

**reflexzonen therapie poster indikationen din a2 poster** - Aug 06 2022

reflexzonen therapie poster indikationen din a2 hawelka verlag hawelka amazon com be books

*reflexzonen therapie poster indikationen din a2* - Jun 16 2023

reflexzonen indikationen poster din a2 unser reflexzonen poster highlight hierauf sehen sie nicht nur umfangreiche

reflexzonen der füße hände auf diesem poster sind zudem viele erkrankungen mit direkter zuordnung zu allen skizzen

aufgeführt poster buch zugleich unerlässlich für jeden anwender maße 59 4cm x 42cm a2

*reflexzonen therapie poster indikationen din a2* - May 03 2022

reflexzonen therapie poster indikationen din a2 jetzt online kaufen bei atalanda im geschäft in monheim am rhein vorrätig

online bestellen reflexzonen therapie poster

*reflexzonen therapie poster indikationen din a2 wällermarkt* - Dec 10 2022

reflexzonen therapie poster indikationen din a2 jetzt online kaufen bei wällermarkt im geschäft im wällermarkt vorrätig

online bestellen versandkostenfrei ab 20 00

**reflexzonen hautflächen mit indirekter wirkung auf organe** - Jan 31 2022

jun 29 2012 durch die massage der reflexzonen soll eine reflektorische also eine indirekte wirkung auf die organe erreicht

werden bisher konnten diese zusammenhänge nicht wissenschaftlich belegt werden reflexzonen gibt es am gesamten körper

die bekanntesten und am häufigsten behandelten reflexzonen sind die fußreflexzonen und die handreflexzonen

*reflexzonen therapie poster indikationen din a2* - Apr 14 2023

reflexzonen therapie poster indikationen von jetzt online bestellen portofrei schnell zuverlässig kein mindestbestellwert

individuelle rechnung 20 millionen titel

*luis alberto urrea wikipedia* - Feb 10 2023

web luis alberto urrea luis alberto urrea born august 20 1955 in tijuana mexico 1 is a mexican american poet novelist and

essayist life luis urrea is the son of alberto urrea murray of rosario sinaloa mexico and phyllis dashiell born in staten island

new york he was born in tijuana mexico and listed as an american born abroad 1

**the devil s highway a true story by luis alberto urrea goodreads** - Aug 16 2023

web apr 2 2004 the devil s highway a true story luis alberto urrea 4 11 15 020 ratings2 100 reviews the author of across the wire offers brilliant investigative reporting of what went wrong when in may 2001 a group of 26 men attempted to cross the mexican border into the desert of southern arizona only 12 men came back out

**the devil s highway by luis alberto urrea hachette book group** - Oct 06 2022

web sep 19 2005 in may 2001 a group of men attempted to cross the mexican border into the desert of southern arizona through the deadliest region of the continent the devil s highway three years later luis alberto urrea wrote about what happened to them

**the devil s highway a true story urrea luis alberto** - Jun 02 2022

web in may 2001 a group of men attempted to cross the mexican border into the desert of southern arizona through the deadliest region of the continent the devil s highway three years later luis alberto urrea wrote about what happened to them

**the devil s highway a true story urrea luis alberto** - Nov 07 2022

web the devil s highway a true story urrea luis alberto amazon com tr kitap Çerez tercihlerinizi seçin Çerez bildirimimizde ayrıntılı şekilde açıklandığı üzere alışveriş yapmanızı sağlamak alışveriş deneyiminizi iyileştirmek ve hizmetlerimizi sunmak için gerekli olan çerezleri ve benzer araçları kullanırız

the devil s highway a true story by luis alberto urrea - May 01 2022

web sep 19 2005 in may 2001 a group of men attempted to cross the mexican border into the desert of southern arizona through the deadliest region of the continent the devil s highway three years later luis alberto urrea wrote about what happened to them

luis alberto urrea character analysis in the devil s highway - May 13 2023

web the story of the devil s highway is filled with firsthand accounts taken from survivors and rescuers but urrea also spends a good deal of the text imagining and recreating interactions situations conversations and even the

why the devil s highway by luis alberto urrea still matters 15 - Jan 09 2023

web by liberty hardy it has been 15 years since the release of the devil s highway a true story by luis alberto urrea which is widely considered a modern classic we are only about one fifth of the way into the 21st century and we can already see that very few works of nonfiction from the last 20 years have had such a lasting impact

**the devil s highway a true story luis alberto urrea** - Jun 14 2023

web the devil s highway a true story paperback january 1 2004 this important book from a pulitzer prize finalist follows the brutal journey a group of men take to cross the mexican border the single most compelling lucid and lyrical contemporary account of the absurdity of u s border policy the atlantic

*istanbul to devils bridge 11 ways to travel via train rome2rio* - Dec 28 2021

web rome2rio makes travelling from istanbul to devils bridge easy rome2rio is a door to door travel information and booking engine helping you get to and from any location in the world find all the transport options for your trip from istanbul to devils bridge right here rome2rio displays up to date schedules route maps journey times and

*the devil s highway kirkus reviews* - Aug 04 2022

web apr 2 2004 the devil s highway a true story by luis alberto urrea release date april 2 2004 a horrendous story told with bitter skill highlighting the whole sordid greedy mess that attends illegal broader crossings

**the devil s highway luis alberto urrea** - Jul 15 2023

web twelve came back out now luis alberto urrea tells the story of this modern odyssey he takes us back to the small towns and unpaved cities south of the border where the poor fall prey to dreams of a better life and the sinister promises of smugglers

**the devil s highway a true story luis alberto urrea google** - Mar 11 2023

web nov 16 2008 in may 2001 a group of men attempted to cross the mexican border into the desert of southern arizona through the deadliest region of the continent the devil s highway three years later

**the devil s highway by luis alberto urrea plot summary litcharts** - Apr 12 2023

web acclaimed writer luís alberto urrea tells the story of the wellton 26 sometimes referred to as the yuma 14 a group of illegal immigrants mostly from the impoverished southern mexican state of veracruz who became lost in the treacherous yuma desert after a series of fatal mistakes made by their smuggler or pollero jesús mendez

*the devil s highway a true story kindle edition by urrea luis* - Dec 08 2022

web oct 23 2008 in may 2001 a group of men attempted to cross the mexican border into the desert of southern arizona through the deadliest region of the continent the devil s highway three years later luis alberto urrea wrote about what happened to them

*the devil s highway quotes by luis alberto urrea goodreads* - Feb 27 2022

web the devil s highway quotes showing 1 27 of 27 what we take from granted in the united states as being mexican to those from southern mexico is almost completely foreign rural mexicans don t have the spare money to drown their food in melted cheese

the devil s highway a true story urrea luis alberto free - Sep 05 2022

web the devil s highway a true story by urrea luis alberto publication date 2004 topics human smuggling illegal aliens publisher new york little brown collection inlibrary printdisabled internetarchivebooks delawarecountydistrictlibrary americana contributor internet archive language english includes index

*google maps* - Jan 29 2022

web find local businesses view maps and get driving directions in google maps

**devil s highway luis alberto urrea university of texas at san** - Mar 31 2022

web jan 23 2023 the devil s highway a true story by luis alberto urrea call number jv6475 u77 2005 the devil s highway relates the 2001 tragedy of 26 men and boys who cross the mexico arizona border led by coyotes persons who smuggle illegal immigrants and lose their way on the stretch of desert known as the devil s highway

**the devils highway a true story louis alberto urrea** - Jul 03 2022

web the devils highway a true story louis alberto urrea amazon com tr kitap Çerez tercihlerinizi seçin Çerez bildirimimizde ayrıntılı şekilde açıklandığı üzere alışveriş yapmanızı sağlamak alışveriş deneyiminizi iyileştirmek ve hizmetlerimizi sunmak için gerekli olan çerezleri ve benzer araçları kullanırız

12 sal ki desi ladki ki bur chudai xxx 2beeg - Apr 21 2023

web our porn tube have extensive collection of 12 sal ki desi ladki ki bur chudai xxx porn videos you can select 12 sal ki desi ladki ki bur chudai xxx clips from the many sex video category that you like the most at this page of our porn video tube you can watch free 12 sal ki desi ladki ki bur chudai xxx porn vids

**bilkul nangi ladkiyon ka dance dikhayen indian porn hd videos** - Feb 19 2023

web desi nangi hidden bath video best and hottest bilkul nangi ladkiyon ka dance dikhayen hd indian porn videos can be found here but if you are so nasty and want to see even more bilkul nangi ladkiyon ka dance dikhayen desi porn clips or some other porn or hindi sex just say no more and use our search form to find any indian hindi or desi porn

**nangi ladkiyon ki photo xxx nude collection hd nangi photos** - Sep 14 2022

web nangi ladkiyon ki photo xxx new hd collection you are looking for it s here in this post i shared many indian ladkiyon ki nangi photos all indian ladki got a very hot figure with big boobs some of them show their full nude body and some of them are fully nude by seeing their nude bodies you will definitely want to fuck them

nangi ladki chodo xxx indian films - Jun 11 2022

web nangi ladki aur premi ke sambhog ka gujarati sexy mms 2 09 1203 83 kya mast gaand dikhaye hai es ladki ne mutt maroo maje se 2 14 1446 37 ladki ki jawani 1 40 107 84 sexy ladki ki apne premi se

**sex film bilkul nangi chudai dikhao video indian porn** - Aug 25 2023

web hot ladki ki chudaai hotel ki room me sex film bilkul nangi chudai dikhao video gujarati big ass wife first night viral sex desi college girl uniform strip and blowjob in hotel

nangi kudi ki chut chudte hue punjabi hindi blue film - Mar 08 2022

web if you like nangi kudi ki chut chudte hue punjabi hindi blue film then you ll find plenty more steamy scenes to enjoy at justindian porn no matter whether you want more sexy nangi kudi ki chut chudte hue punjabi hindi blue film action or

something entirely new you ll discover it with justindian porn

**hindi audio ke saath hindustani sexy nangi blue movie** - Aug 13 2022

web no matter whether you want more sexy hindi audio ke saath hindustani sexy nangi blue movie action or something entirely new you ll discover it with justindian porn tags antarvasna dirty hindi talk free indian porn hardcore sex hindi bf

**bilkul nangi nangi chut wali bilkul nangi lola chut porn good** - Jan 18 2023

web best and hottest bilkul nangi nangi chut wali bilkul nangi lola chut hd indian porn videos can be found here but if you are so nasty and want to see even more bilkul nangi nangi chut wali bilkul nangi lola chut desi porn clips or some other porn or hindi sex just say no more and use our search form to find any indian hindi or desi porn tube

**nangi nangi ladkiyon ko chodte hue dikhayen porn indian** - Jul 24 2023

web the best nangi nangi ladkiyon ko chodte hue dikhayen free sex videos on a completely free premium sex tube site called our porn tube is that even possible yes it is and all the action packed nangi nangi ladkiyon ko chodte hue dikhayen sex scenes are here to satisfy your every need and moment you spend alone

**nangi ladki step by step kapde nihal degi ye ladki dance video 2018** - Jan 06 2022

web dec 22 2017 nangi ladki step by step kapde nihal degi ye ladki dance video 2018 vikas raj 770 subscribers 78k views 5 years ago english ladki dance video bahut accha dance karti ladki dosto hum log

**ladki ke sath jabardasti nangi karte hue dikhayen porn xxx** - Nov 16 2022

web naughty bhabhi is an unrated adult web series in hindi featuring today is episode 1 of series 1 for you to make your midnight go happy this midnight masala video is uncensored and uncut version of masala web series naughty bhabhi which has not passed the censorship board

**hindustani sexy ladki ki choda chodi nangi blue film indian sex** - May 22 2023

web ladki nangi ho kar apne lover se lipat gai dono hi kiss karne lage aur ladki apni chut mai bf ka mota big dick lene ko betaab thi iss nangi blue film mai crazy hindustani lovers ne mastram style mai choda chodi ki ladki ki fuddi ka ched kasa hua tha aur chut rahi thi

**bilkul nangi sexy film bilkul nangi sexy film porn good indian** - Oct 15 2022

web watch free bilkul nangi sexy film bilkul nangi sexy film indian hindi porn meine nangi fuddi pe lund ragda aur lund pe chad gayi sexy indian gf watching film on a television indian bhabi having fun with neighbor s son full video sexyjill info

**sexy nangi bilkul nangi video nangi porn xxx indian films** - May 10 2022

web naughty bhabhi is an unrated adult web series in hindi featuring today is episode 1 of series 1 for you to make your midnight go happy this midnight masala video is uncensored and uncut version of masala web series naughty bhabhi which has not passed the censorship board

[ladki ladki chudai karti bilkul nangi film videos in film chahiye](#) - Mar 20 2023

web here you watched ladki ladki chudai karti bilkul nangi film videos in film chahiye free indian porn tube videos if you want to see more ladki ladki chudai karti bilkul nangi film videos in film chahiye hindi porn videos or some other porn or desi sex please feel free to use our hindi porn search form so we will be able to find for you any indian sex

[nangi sexy ladki ke hot fuck ki choda chodi sex video](#) - Jun 23 2023

web ladki ka affair apne hi pados ke chore se tha aur vo uske bedroom mai bulati hai hot sexy ladki nangi ho kar leti thi aur uska premi aa kar usse sex karta hai dono hindi mai gandi gandi baat karte hue jordaar pussy fuck masti karte hain ladki first time choda chodi karti hai aur usko bahut hi maza aa raha tha

[hindi xxx club](#) - Feb 07 2022

web 56540 62 hd 06 58 39045 66 13 25

[sexy film bilkul nangi wali porn indian porn hd videos](#) - Jul 12 2022

web 2 54 566 86 saas aur damaad ke rishton mai chudai wali bf 27 46 2196 145 hot shots originals hindi short film guilt best and hottest sexy film bilkul nangi wali hd indian porn videos can be found here but if you are so nasty and want to see even more sexy film bilkul nangi wali desi porn clips or some other porn or hindi sex just

[kunwari ladki xxx hindi sex videos desi porn video](#) - Dec 17 2022

web check out free kunwari ladki porn videos on hindi xxx hd watch all kunwari ladki xxx videos right now

[19 saal ki jawan ladki tina ki chudai hindi bf videos](#) - Apr 09 2022

web raju aur tina ko dekhe mast bf video me chodte hue ye ladki abhi sirf 19 saal ki he lekin use lund lene ka chaska sa laga hua he aaj ye sexy desi ladki raju ke sath ek chhote se kamre ke andar chudwa rahi he raju ne pahle to