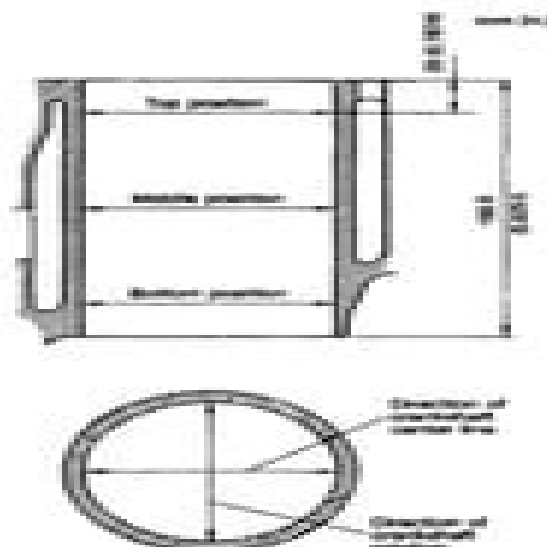
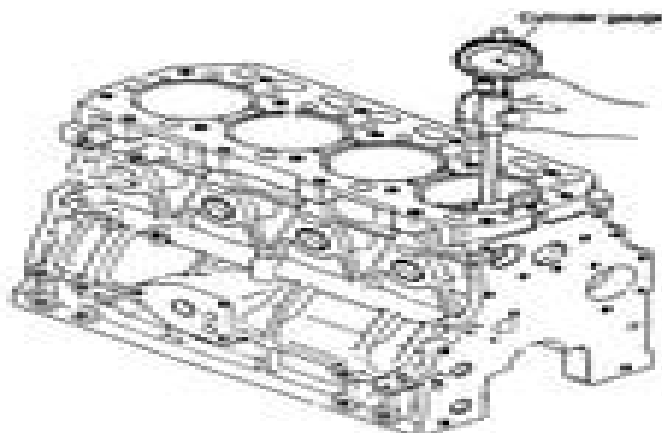


2.3 Cylinder bore measurement

Measure the bore diameter with a cylinder gauge at the positions shown in the figure.

Replace the cylinder bore when the measured value exceeds the wear limit. Measurement must be done at least at 3 positions, as shown in the figure, namely, top, middle and bottom positions in both directions along the crankshaft rotation and crankshaft center line.



	Standard	Wear Limit
Cylinder bore dia.	$\phi 82.00 - \phi 82.00$ ( $\pm 0.005 - \pm 0.005$ )	$\phi 82.00$ ( $\pm 0.007$ )
Cylinder roundness	$\frac{\phi}{10} - \frac{\phi}{10}$ ( $\pm 0.002$ )	0.02 ( $\pm 0.005$ )

# Yanmar Jh21 T Diesel Engine Full Service Repair Manual

**Yanmar**



## **Yanmar Jh2l T Diesel Engine Full Service Repair Manual:**

*YANMAR DIESEL ENGINE MODEL 2 S* Yanmar,2013-11-11      **YANMAR MARINE DIESEL ENGINE 2TD, 3TD, 4TD**  
Yanmar,2013-11-11      YANMAR MARINE DIESEL ENGINE 2TM, 3TM, 4TM Yanmar,2013-11-11      *YANMAR MARINE*  
*DIESEL ENGINE 4JH2E, 4JH2-TE, 4JH2-HTE, 4JH2-DTE* Yanmar,2013-10-07      Diesel John Haynes,1997-11-30 General  
Motors and Ford Light Trucks Vans Passenger Cars covering General Motors 350 cu in 5 7 liter 379 cu in 6 2 liter 397 cu in 6  
5 liter and Ford 420 cu in 6 9 liter 445 cu in 7 3 liter and 445 cu in 7 3 liter Power Stroke Step by Step Instructions Fully  
Illustrated for the Home Mechanic Simple Maintenance to Major Repairs Tools and equipment Shop practices  
Troubleshooting Routine Maintenance Engine Repairs and overhaul Cooling system Fuel system Electrical system      **AC**  
**Maintenance & Repair Manual for Diesel Engines** Jean Luc Pallas,2013-08-22 The aim of this book with its detailed step  
by step colour photographs and diagrams is to enable every owner to fix their diesel engine with ease Troubleshooting tables  
help diagnose potential problems and there is advice on regular maintenance and winterising and repair Jean Luc Pallas s  
enthusiasm for passing on his knowledge as well as his clear explanations precise advice and step by step instructions make  
this a unique book      **Ford Diesel Engine Service & Repair Manual** Matthew Minter,Chris Rogers,1996      **Ford Diesel**  
**Engine** Matthew Minter,Chris Rogers,1996 Diesel turbo Diesel engines used in the following applications Should be used in  
conjunction with the appropriate Haynes Manual Fiesta 1989 to 1995 1595 Escort 1980 to 1990 0686 Does not cover  
applications to Sierra or P100 Diesel 1 6 litre 1608cc 1 8 litre 1753cc      **Large Diesel Engine Service** Penton  
Staff,2000-05-24 Diesel industrial engines with 150 500 cu in 2 5 8 2 L More than 75 models are covered      **Diesel Engine**  
**Repair Manual** Ken Freund,John Harold Haynes,1991 Chest pain can be terrifying Many people panic or hope that if they  
ignore it it will go away But angina must be taken seriously and in addition to taking medical advice it s important to find out  
what you can do about it and what you can do to help yourself reduce the risk of a heart attack This book answers key  
questions for anyone worried about angina What is it and why is it happening Does it mean I m going to have a heart attack  
What should I do when I have chest pain How do I tell if it s serious Living with Angina is also packed with useful advice  
about what you can do to deal with high cholesterol or high blood pressure develop a sensible exercise program and make  
crucial lifestyle changes that will help you live life to the full BOOK JACKET Title Summary field provided by Blackwell North  
America Inc All Rights Reserved

Embark on a transformative journey with Written by is captivating work, Discover the Magic in **Yanmar Jh2l T Diesel Engine Full Service Repair Manual** . This enlightening ebook, available for download in a convenient PDF format , invites you to explore a world of boundless knowledge. Unleash your intellectual curiosity and discover the power of words as you dive into this riveting creation. Download now and elevate your reading experience to new heights .

<https://ftp.barnabastoday.com/About/detail/fetch.php/The%20Wildflowers%20Of%20Ireland%20A%20Field%20Guide.pdf>

## **Table of Contents Yanmar Jh2l T Diesel Engine Full Service Repair Manual**

1. Understanding the eBook Yanmar Jh2l T Diesel Engine Full Service Repair Manual
  - The Rise of Digital Reading Yanmar Jh2l T Diesel Engine Full Service Repair Manual
  - Advantages of eBooks Over Traditional Books
2. Identifying Yanmar Jh2l T Diesel Engine Full Service Repair Manual
  - Exploring Different Genres
  - Considering Fiction vs. Non-Fiction
  - Determining Your Reading Goals
3. Choosing the Right eBook Platform
  - Popular eBook Platforms
  - Features to Look for in an Yanmar Jh2l T Diesel Engine Full Service Repair Manual
  - User-Friendly Interface
4. Exploring eBook Recommendations from Yanmar Jh2l T Diesel Engine Full Service Repair Manual
  - Personalized Recommendations
  - Yanmar Jh2l T Diesel Engine Full Service Repair Manual User Reviews and Ratings
  - Yanmar Jh2l T Diesel Engine Full Service Repair Manual and Bestseller Lists
5. Accessing Yanmar Jh2l T Diesel Engine Full Service Repair Manual Free and Paid eBooks
  - Yanmar Jh2l T Diesel Engine Full Service Repair Manual Public Domain eBooks
  - Yanmar Jh2l T Diesel Engine Full Service Repair Manual eBook Subscription Services
  - Yanmar Jh2l T Diesel Engine Full Service Repair Manual Budget-Friendly Options

6. Navigating Yanmar Jh2l T Diesel Engine Full Service Repair Manual eBook Formats
  - ePub, PDF, MOBI, and More
  - Yanmar Jh2l T Diesel Engine Full Service Repair Manual Compatibility with Devices
  - Yanmar Jh2l T Diesel Engine Full Service Repair Manual Enhanced eBook Features
7. Enhancing Your Reading Experience
  - Adjustable Fonts and Text Sizes of Yanmar Jh2l T Diesel Engine Full Service Repair Manual
  - Highlighting and Note-Taking Yanmar Jh2l T Diesel Engine Full Service Repair Manual
  - Interactive Elements Yanmar Jh2l T Diesel Engine Full Service Repair Manual
8. Staying Engaged with Yanmar Jh2l T Diesel Engine Full Service Repair Manual
  - Joining Online Reading Communities
  - Participating in Virtual Book Clubs
  - Following Authors and Publishers Yanmar Jh2l T Diesel Engine Full Service Repair Manual
9. Balancing eBooks and Physical Books Yanmar Jh2l T Diesel Engine Full Service Repair Manual
  - Benefits of a Digital Library
  - Creating a Diverse Reading Collection Yanmar Jh2l T Diesel Engine Full Service Repair Manual
10. Overcoming Reading Challenges
  - Dealing with Digital Eye Strain
  - Minimizing Distractions
  - Managing Screen Time
11. Cultivating a Reading Routine Yanmar Jh2l T Diesel Engine Full Service Repair Manual
  - Setting Reading Goals Yanmar Jh2l T Diesel Engine Full Service Repair Manual
  - Carving Out Dedicated Reading Time
12. Sourcing Reliable Information of Yanmar Jh2l T Diesel Engine Full Service Repair Manual
  - Fact-Checking eBook Content of Yanmar Jh2l T Diesel Engine Full Service Repair Manual
  - Distinguishing Credible Sources
13. Promoting Lifelong Learning
  - Utilizing eBooks for Skill Development
  - Exploring Educational eBooks
14. Embracing eBook Trends
  - Integration of Multimedia Elements

- Interactive and Gamified eBooks

### **Yanmar Jh2l T Diesel Engine Full Service Repair Manual Introduction**

In the digital age, access to information has become easier than ever before. The ability to download Yanmar Jh2l T Diesel Engine Full Service Repair Manual has revolutionized the way we consume written content. Whether you are a student looking for course material, an avid reader searching for your next favorite book, or a professional seeking research papers, the option to download Yanmar Jh2l T Diesel Engine Full Service Repair Manual has opened up a world of possibilities. Downloading Yanmar Jh2l T Diesel Engine Full Service Repair Manual provides numerous advantages over physical copies of books and documents. Firstly, it is incredibly convenient. Gone are the days of carrying around heavy textbooks or bulky folders filled with papers. With the click of a button, you can gain immediate access to valuable resources on any device. This convenience allows for efficient studying, researching, and reading on the go. Moreover, the cost-effective nature of downloading Yanmar Jh2l T Diesel Engine Full Service Repair Manual has democratized knowledge. Traditional books and academic journals can be expensive, making it difficult for individuals with limited financial resources to access information. By offering free PDF downloads, publishers and authors are enabling a wider audience to benefit from their work. This inclusivity promotes equal opportunities for learning and personal growth. There are numerous websites and platforms where individuals can download Yanmar Jh2l T Diesel Engine Full Service Repair Manual. These websites range from academic databases offering research papers and journals to online libraries with an expansive collection of books from various genres. Many authors and publishers also upload their work to specific websites, granting readers access to their content without any charge. These platforms not only provide access to existing literature but also serve as an excellent platform for undiscovered authors to share their work with the world. However, it is essential to be cautious while downloading Yanmar Jh2l T Diesel Engine Full Service Repair Manual. Some websites may offer pirated or illegally obtained copies of copyrighted material. Engaging in such activities not only violates copyright laws but also undermines the efforts of authors, publishers, and researchers. To ensure ethical downloading, it is advisable to utilize reputable websites that prioritize the legal distribution of content. When downloading Yanmar Jh2l T Diesel Engine Full Service Repair Manual, users should also consider the potential security risks associated with online platforms. Malicious actors may exploit vulnerabilities in unprotected websites to distribute malware or steal personal information. To protect themselves, individuals should ensure their devices have reliable antivirus software installed and validate the legitimacy of the websites they are downloading from. In conclusion, the ability to download Yanmar Jh2l T Diesel Engine Full Service Repair Manual has transformed the way we access information. With the convenience, cost-effectiveness, and accessibility it offers, free PDF downloads have become a popular choice for students, researchers, and book lovers worldwide. However, it is crucial to engage in ethical downloading

practices and prioritize personal security when utilizing online platforms. By doing so, individuals can make the most of the vast array of free PDF resources available and embark on a journey of continuous learning and intellectual growth.

### **FAQs About Yanmar Jh2l T Diesel Engine Full Service Repair Manual Books**

How do I know which eBook platform is the best for me? Finding the best eBook platform depends on your reading preferences and device compatibility. Research different platforms, read user reviews, and explore their features before making a choice. Are free eBooks of good quality? Yes, many reputable platforms offer high-quality free eBooks, including classics and public domain works. However, make sure to verify the source to ensure the eBook credibility. Can I read eBooks without an eReader? Absolutely! Most eBook platforms offer web-based readers or mobile apps that allow you to read eBooks on your computer, tablet, or smartphone. How do I avoid digital eye strain while reading eBooks? To prevent digital eye strain, take regular breaks, adjust the font size and background color, and ensure proper lighting while reading eBooks. What the advantage of interactive eBooks? Interactive eBooks incorporate multimedia elements, quizzes, and activities, enhancing the reader engagement and providing a more immersive learning experience. Yanmar Jh2l T Diesel Engine Full Service Repair Manual is one of the best book in our library for free trial. We provide copy of Yanmar Jh2l T Diesel Engine Full Service Repair Manual in digital format, so the resources that you find are reliable. There are also many Ebooks of related with Yanmar Jh2l T Diesel Engine Full Service Repair Manual. Where to download Yanmar Jh2l T Diesel Engine Full Service Repair Manual online for free? Are you looking for Yanmar Jh2l T Diesel Engine Full Service Repair Manual PDF? This is definitely going to save you time and cash in something you should think about.

### **Find Yanmar Jh2l T Diesel Engine Full Service Repair Manual :**

[the wildflowers of ireland a field guide](#)

[the weeping willow sings](#)

[the varnished truth 1st edition by nyberg david 1995 paperback](#)

[the vesuvius isotope the katrina stone novels volume 1](#)

[the wage under attack employment policies in europe travail & socitwork & society](#)

[the womanist reader the womanist reader](#)

[the viic type u boot](#)

*the warriors heart rules of engagement for the spiritual war zone*

**the witcher book series**

**the wiley project engineers desk reference project engineering operations and management**

**the war in the pacific campaign in the marianas**

[the virginia woolf reader](#)

[the wolves of willoughby chase wolves chronicles book 1](#)

[the womans secret of a happy life daily devotional journal](#)

**the work of print authorship and the englishtext trades 1660 1760 literary conjugations**

**Yanmar Jh2l T Diesel Engine Full Service Repair Manual :**

**waking the spirit a musician s journey healing body mind and** - Aug 21 2022

web waking the spirit a musician s journey healing body mind and soul by schulman andrew 1952

*waking the spirit macmillan* - Mar 28 2023

web aug 2 2016 waking the spirit a musician s journey healing body mind and soul author andrew schulman with an afterword by marvin a mcmillen m d facts macp read excerpt about this book

[waking the spirit a musician s journey healing body mind and](#) - Aug 01 2023

web waking the spirit a musician s journey healing body mind and soul schulman andrew amazon sg books

**waking the spirit a musician s journey healing body mind** - Jun 18 2022

web waking the spirit a musician s journey healing body mind and soul by andrew schulman alibris alibris for libraries sell at alibris select book format menu hi sign in 0 books music philosophy social aspects waking the spirit a musician s journey healing body mind and soul by andrew schulman write the first customer review

**waking spirit musicians journey by andrew schulman abebooks** - Jul 20 2022

web waking the spirit a musician s journey healing body mind and soul by schulman andrew and a great selection of related books art and collectibles available now at abebooks co uk waking spirit musicians journey by andrew schulman 63 results you searched for

[waking the spirit a musician s journey healing body mind and](#) - Feb 24 2023

web an oliver sacks foundation best book of the year selection finalist for the books for a better life best first book award and a people magazine pick in nonfiction the astounding story of a

**waking the spirit andrew schulman music** - May 30 2023

web about music performances waking the spirit a musician s journey healing body mind and soul earnest but affable memoir he talks with neuroscientists and psychiatrists and explores the legacy of pythagoras the ancient greek mathematician and



philosopher who was among the first to recognize the healing properties of music

*waking the spirit a musician s journey healing body mind and* - Dec 25 2022

web waking the spirit a musician s journey healing body mind and soul ebook written by andrew schulman read this book using google play books app on your pc android ios devices download for offline reading highlight bookmark or take notes while you read waking the spirit a musician s journey healing body mind and soul

**waking the spirit a musician s journey healing body mind and** - May 18 2022

web aug 2 2016 waking the spirit a musician s journey healing body mind and soul ebook by andrew schulman read a sample format ebook isbn 9781250055774 author andrew schulman publisher picador release 02 august 2016 subjects music new age science nonfiction find this title in libby the library reading app by overdrive

**waking the spirit a musician s journey healing body mind and** - Jun 30 2023

web waking the spirit a musician s journey healing body mind and soul schulman andrew amazon sg books

waking the spirit a musician s journey healing body mind and - Sep 21 2022

web 40 59 40 99 30 88 purchase options and add ons an oliver sacks foundation best book of the year selection finalist for the books for a better life best first book award and a magazine pick in nonfiction the astounding story of a critically ill musician who is saved by music and returns to the same hospital to help heal others

**waking the spirit a musician s journey healing body mind and** - Oct 03 2023

web aug 1 2017 waking the spirit a musician s journey healing body mind and soul paperback august 1 2017 an oliver sacks foundation best book of the year selection finalist for the books for a better life best first book award and a

**waking the spirit a musician s journey healing body mind and** - Mar 16 2022

web aug 2 2016 waking the spirit a musician s journey healing body mind and soul is an amazing story of a professional musician who after experiencing a near death experience literally returns to life and playing music by the healing power of music

waking the spirit a musician s journey healing body mind and - Nov 23 2022

web waking the spirit a musician s journey healing body mind and soul schulman andrew primary category literature nonfiction genre memoir annotated by carter iii albert howard catastrophe complementary medicine death and dying depression disease and health doctor patient relationship illness narrative pathography

**waking the spirit a musician s journey healing body mind and** - Apr 28 2023

web aug 1 2017 an oliver sacks foundation best book of the year selection finalist for the books for a better life best first book award and a people magazine pick in nonfiction the astounding story of a critically ill musician who is saved by music and returns to the same hospital to help heal others

waking the spirit a musician s journey healing body mind and - Feb 12 2022

web in waking the spirit you ll learn the astonishing stories of the people he s met along the way both patients and doctors and see the incredible role music can play in a modern hospital setting schulman expertly weaves cutting edge research on neuroscience and medicine as well as what he s learned as a professional musician to explore the

**waking spirit prose poems the spirit sings eight time** - Apr 16 2022

web in the essays in waking spirit ms cheng recounts her spiritual journey in a way that would move a boulder to dance her happiness is so pervasive that you may at first not be able to tune into it through a combination of essays aphorisms poems and haiku you ll find yourself moving up in spiritual blessedness from this uplifting volume

**waking the spirit a musician s journey healing body m** - Sep 02 2023

web feb 2 2016 4 24 249 ratings 51 reviews for millennia music has been known to have a powerful role in the healing process this moving and inspiring book tells the tale of a man pulled from the brink of death by music who in turn uses music as medicine to

**waking the spirit a musician s journey healing body mind** - Jan 26 2023

web in waking the spirit you ll learn the astonishing stories of the people he s met along the way both patients and doctors and see the incredible role music can play in a modern hospital setting schulman expertly weaves cutting edge research on neuroscience and medicine as well as what he s learned as a professional musician to explore the

waking the spirit a musician s journey healing body mind and - Oct 23 2022

web waking the spirit a musician s journey healing body mind and soul schulman andrew 9781250132222 books amazon ca deutz ag engines - Nov 02 2022

web bf 6 m 1015 c water cooled v6 engine with turbocharging charge air cooling and four valve technology also available with an electronic motor regulator emr to allow easy integration into the electronic device control and monitoring system the robust engine design allows worldwide operation even with high sulphur fuels

**deutz 1012 series engine parts engine kits heavy duty pros** - Jun 28 2022

web customer service sales hours monday friday 8am 5pm est saturday sunday closed we carry a huge selection of aftermarket replacement deutz 1012 series engine parts from rebuild kits to gaskets to bearings we have you covered

deutz bfm 1012 1013 specs and manuals diesel engine - Mar 06 2023

web deutz bfm 1012 and 1013 dimensions 6 cyl engines approx bf6m 1012 length 1120 mm width 678 mm height 834 mm bf6m 1013 length 1239 mm width 760 mm height 868 mm bf6m 1012e length 1003 mm width 540 mm height 827 mm bf6m 1013e length 1146 mm width 622 mm height 852 mm

**1012 the engine for construction equipment diesel parts direct** - Feb 05 2023

web these are the characteristics of the 1012 modern water cooled 4 and 6 cylinder in line engines turbocharging and turbocharging with charge air cooling high pressure fuel injection up to 1600 bar electronic engine governor with diagnostic facilities as option

**deutz 1012 operation manual pdf download manualslib** - Oct 13 2023

web view and download deutz 1012 operation manual online 1012 engine pdf manual download also for 1013

technical specs bf 6 m 2012 c deutz - Aug 11 2023

web see detailed specifications and technical data for deutz engines manufactured in 2014 2023 get more in depth insight with deutz bf 6 m 2012 c specifications on lectura specs

*deutz bf6m 2012 c manuals manualslib* - Jun 09 2023

web deutz bf6m 2012 c manuals manuals and user guides for deutz bf6m 2012 c we have 1 deutz bf6m 2012 c manual available for free pdf download operation manual

deutz bf6m 1012 e engine workshop repair service manual - Oct 01 2022

web front wheel alignment check for deutz bf6m 1012 e engine gearbox oil level check for deutz bf6m 1012 e engine handbrake check for deutz bf6m 1012 e engine hinge and lock check and lubrication for deutz bf6m 1012 e engine ht lead distributor cap for deutz bf6m 1012 e engine ignition circuit check for deutz bf6m 1012 e engine

*deutz engine bf6m 1012 e service repair workshop manual* - Dec 03 2022

web deutz engine bf6m 1012 e service repair workshop manual is complete and intact as should be without any missing corrupt part or pages the deutz engine bf6m 1012 e service repair workshop manual includes pictures and easy to follow directions on what tools are needed and how the repair is performed

**operation manual 1012 1013 manuals free com** - Apr 07 2023

web 1012 1013 engine serial number please enter the engine serial number here liquid cooled deutz engines are designed for a large number of applications consequently unit engine bf6m 1013 ec 2 2 12 operation side unit engine bf6m 1013 ec 2 3 lube oil circuit schematic

*deutz engine 1012 1013 workshop manual* - Jul 30 2022

web deutz engine 1012 1013 workshop manual pdf 4 84 mb downloads 587 bold italic underline strikethrough align ordered list unordered list insert link

*deutz engine bf6m 1012 workshop service repair manual* - Aug 31 2022

web deutz engine bf6m 1012 starter deutz engine bf6m 1012 clinder head and valves deutz engine bf6m 1012 piston and connecting rod deutz engine bf6m 1012 crankshaft and camshaft deutz engine bf6m 1012 oil pump deutz engine bf6m 1012 checking and adjusting engine body deutz engine bf6m 1012 checking

*deutz 1012 operation manual pdf download manualslib* - May 08 2023

web view and download deutz 1012 operation manual online liquid cooled engines 1012 engine pdf manual download also for 1013

**bf6m1012 dk engine parts llc** - Apr 26 2022

web bf6m1012 dk engine parts provides oem equivalent quality parts for most deutz engine applications without charging the dealer prices we have worked with reliable vendors to ensure your needs are met with quality engine parts and knowledgeable sales associates showing 1 16 of 155 results

**deutz bf6m1012 engines diesel parts direct** - May 28 2022

web deutz bf6m1012 engines as an authorized deutz service dealer we have a great selection of genuine deutz bf6m1012 engines if you do not see the deutz engine you are looking for please use our quote request form or call us at 855 470 3523 our knowledgeable inside sales staff will gladly assist you

*deutz 1012 1013 engine operation maintenance manual* - Mar 26 2022

web bf4m 1012 bf4m 1012 c bf6m 1012 bf6m 1012 c bf4m 1012 e bf4m 1012 ec bf6m 1012 e bf6m 1012 ecmanual covers 1 general 2 description of engine 3 engine operation 4 operating media 5 routine media 6 service

**deutz bfm 1012 workshop manual pdf download manualslib** - Jul 10 2023

web view and download deutz bfm 1012 workshop manual online bfm 1012 engine pdf manual download also for bfm 1013

*deutz bf6m 1012 e 1013 e engine workshop service manual* - Jan 04 2023

web this manual for deutz bf6m 1012 e 1013 e engine has been issued to provide you with technical information regarding the design function disassembly adjusting work and troubleshooting on the components and model of the deutz bf6m 1012 e 1013 e engine

deutz 1012 parts engines bf4m1012 bf6m1012 - Sep 12 2023

web deutz 1012 engine parts as an authorized deutz service dealer we have a huge inventory of genuine parts for deutz 1012 engines including models bf4m1012 and bf6m1012 engines maintenance kits overhaul gasket sets air system cylinder heads cooling system fuel system camshafts pistons rods crankshafts oil filters belts

deutz engine 1012 spare parts catalogue gensetengine.com - Feb 22 2022

web no 6 gulouyuan juyuanzhou industrial zone jinshan development area fuzhou fujian china 008613705041170 008613705041170 sales primepowergenset.com working hour

**road to eternal youth and physical immortality pdf scribd** - Apr 30 2022

web road to eternal youth and physical immortality uploaded by laoma9544 description state of the art ways to achieve eternal youth and physical immortality by working on your traumas and your beliefs i believe it s the last piece of the puzzle

for serious immortalists

**eternal youth eternal life the immortality roadmap english** - Dec 27 2021

web jun 1 2023 eternal youth mod the guild ii renaissance general eternal life is no good without eternal youth immortality john templeton foundation the downside of immortality the new york times what is the difference between immortality and eternal eternal youth pf eternal youth vs immortality forums giantip 9 objects that will make you immortal

**eternal youth eternal life the immortality roadma download** - Nov 06 2022

web eternal youth eternal life the immortality roadma eventually you will enormously discover a further experience and completion by spending more cash yet when accomplish you agree to that you require to acquire those all

**eternal youth eternal life the immortality roadma** - Jan 08 2023

web eternal youth the awakening youth s obstructions in their way to christ and eternal life the denial of aging prescription for eternal youth eternal life life extension tips the palace of eternal youth immortality how to live 100 years god s keys to eternal life and youth by obeying truth a perception of eternal youth and death the distant

*eternal youth eternal life the immortality roadma download* - Sep 04 2022

web eternal youth eternal life the immortality roadma 3 3 perpetual joy purpose and eternal youth joy bauer s superfood new age study of humanities are you tired of feeling tired and aging faster than you d like do you want to discover the secrets to living a longer and healthier life if so then the secrets to

eternal youth eternal life the immortality roadma uniport edu - Aug 03 2022

web may 8 2023 eternal youth eternal life the immortality roadma 1 13 downloaded from uniport edu ng on may 8 2023 by guest eternal youth eternal life the immortality roadma right here we have countless ebook eternal youth eternal life the immortality roadma and collections to check out we additionally have enough money variant

eternal youth eternal life the immortality roadmap english - Apr 11 2023

web featured products the legendary elixir of life bee immortal eternal youth subliminal affirmations aged al gebratic disney wiki fandom immortality john templeton foundation movies that deal with immortality or everlasting life eternal youth spell archives witch spell book eternal immortality volume 2 eternal immortality book

eternal youth eternal life the immortality roadma full pdf - Feb 09 2023

web immortality empowering you your life partners offspring and community in the process yes you shall learn to do be and enjoy multi orgasmic sex yes you shall grow a much stronger and deeper

**eternal youth eternal life the immortality roadma download only** - Jul 14 2023

web we can make if we think beyond ourselves and live a day to day life that represents christ to those who do not know him eternal life aug 28 2022 taking hold of eternal life in christ dec 08 2020 how is a person sure to be saved how can they build

up assurance of salvation and reject a profane life

**eternal youth eternal life the immortality roadma pdf pdf** - Oct 05 2022

web eternal youth eternal life the immortality roadma pdf unveiling the magic of words a overview of eternal youth eternal life the immortality roadma pdf in a global defined by information and interconnectivity the enchanting power of words has acquired unparalleled significance

**downloadable free pdfs eternal youth eternal life the immortality roadma** - Jun 01 2022

web eternal youth eternal life the immortality roadma the complete idiot s guide to understanding mormonism feb 05 2021 highlights the history traditions and religious practices of mormonism and shows how the group s lifestyle is received by mainstream society the immortality of influence oct 28 2022

**eternal youth song and lyrics by modernity leave spotify** - Jan 28 2022

web modernity leave song 2021

eternal youth eternal life the immortality roadma hope - Dec 07 2022

web eternal youth eternal life the immortality roadma as one of the most functional sellers here will unquestionably be in the middle of the best options to review juvenescence jim mellon 2023 04 05 the spirit of prophecy ellen gould harmon white 2023 04 05 life extension durk pearson 2023 04 05

**eternal youth eternal life the immortality roadma pdf** - Jun 13 2023

web eternal youth eternal life the immortality roadma 3 3 to aging gracefully and most of all for living a long life written in 1903 this classic text provides insight into everything a person would wish to know about living a long healthy life chapters *eternal youth wikipedia* - Aug 15 2023

web eternal youth is the concept of human physical immortality free of ageing the youth referred to is usually meant to be in contrast to the depredations of aging rather than a specific age of the human lifespan eternal youth is common in mythology and is a popular theme in fiction

**eternal youth eternal life the immortality roadma support** - Jul 02 2022

web right here we have countless books eternal youth eternal life the immortality roadma and collections to check out we additionally provide variant types and furthermore type of the books to browse

**eternal youth eternal life the immortality roadma pdf** - May 12 2023

web 2 eternal youth eternal life the immortality roadma 2019 07 10 the denial of aging new age study of humanities would you like to be vibrant attractive and successful for as long as you live without using artificial and expensive

eternal life eternal youth album by elyxr spotify - Mar 30 2022

web listen to eternal life eternal youth on spotify elyxr album 2019 10 songs

**eternal youth eternal life the immortality roadma pdf old vulkk** - Mar 10 2023

web eternal youth eternal life the immortality roadma eternal youth the awakening the palace of eternal youth a year in the village of eternity death immortality and eternal life god s keys to eternal life and youth by obeying truth fortyteen the secret of eternal youth sexir divine inspiration a perception of eternal youth and death

*eternal youth terra futura future fandom* - Feb 26 2022

web in technology terra futura eternal youth terra futura sign in to edit to achieve eternal youth is not impossible in fact by the late 21st century it was possible aging became curable by 2100 it was rare to person who appeared to be over the age of 30