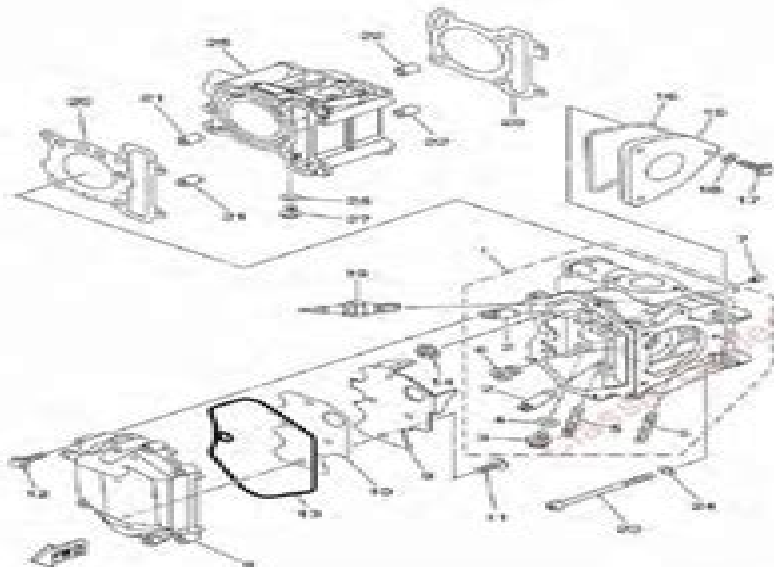


Yamaha Mio125GT

AL125

PARTS CATALOG



MIO 01 CYLINDER HEAD

ITEM NO.	ITEM NAME/DESC	YAMAHA CODE	QTY	UNIT
1	305-81180-00	CYLINDER HEAD ASSY	1	
2	305-81120-00	GUIDE VALVE 1	2	
3	30183-00800	SCREW HEXAGON	1	
4	30400-00917	GASKET	1	
5	30171-00020	BOLT, STUD	2	
6	30240-12911	PLUG, STRAIGHT SCREW	1	
7	3P0-03120-00	NOZZLE 1	1	
8	305-81181-00	COVER, CYLINDER HEAD 1	1	
9	305-81182-00	PLATE, SPREADER	1	
10	305-81183-00	GASKET, SPREADER COVER	1	
11	30903-00914	BOLT, FLANGE	4	
12	30907-00020	BOLT, FLANGE	6	
13	305-81180-00	GASKET, HEAD COVER 1	1	
14	30170-00018	NUT	4	
15	305-81186-00	COVER, CYLINDER HEAD SIDE 2	1	
16	305-81185-00	GASKET, CYLINDER HEAD SIDE	1	
17	30907-00020	BOLT, FLANGE	3	
18	30400-00917	GASKET	3	
19	34700-00882	PLUG, SPARK (W/6 CORE)	1	
20	305-81184-00	GASKET, CYLINDER HEAD 1	1	
21	30900-00914	PNL, CONE	2	
22	30900-10914	PNL, CONE	2	
23	3P171-00000	BOLT	2	
24	30201-00916	WASHER, PLATE	2	

Yamaha Mio Parts Manual

Yamaha International Corporation

A red circular graphic with a gradient, appearing as a partial circle on the right side of the page, overlapping the grey bar.

Yamaha Mio Parts Manual:

Popular Electronics ,1980 Microtimes ,1995-08 **Arsip Koran Banjarmasin Post Tgl 10 April 2012** ,

Yamaha Mini-Enduro Workshop Manual and Illustrated Parts List Jt1 - Jt11 - Jt2 - Jt2mx 1971-1972 Floyd Clymer,2020-04-30 This manual is a compilation of a number of various Yamaha Factory Manuals and covers the entire JT series of Mini Enduro motorcycles manufactured from 1971 through 1972 **Arsip Koran Banjarmasin Post Tgl 08 April 2012** , *Arsip Koran Banjarmasin Post Tgl 09 April 2012* , **Parts Manual for All "K" Models, 1952 to 1956**

Harley-Davidson Motor Company,1956* Suzuki Jimny English Factory Parts Manual JA12, JA22W Series James Danko,2020-07-16 This is the complete Suzuki Jimny JA12 JA22W Series manual with the final F6A Engine Series as it transferred to the newer JA22W Series with the new and improved K6A Engine Over 480 Pages or detailed factory parts diagrams and part numbers to maintain and or upgrade your Suzuki Jimny to the later model parts in the JA22W series It is the full parts manual with labor hours listed for repair shops included All models in the series are included convertible and van bodies A must have manual for the Jimny JA12 JA22W owner Repair shops and Parts suppliers too a must have manual See our other Jimny Service manuals available for maintenance and repair Covers all JA12C JA12V JA12W and JA22W Models

Yamaha XV V-Twins Service and Repair Manual Alan Ahlstrand,John Harold Haynes,1997 There is a Haynes manual for most popular domestic and import cars trucks and motorcycles By conducting complete tear downs and rebuilds the Haynes staff has discovered all the problems owners will find in rebuilding or repairing their vehicle Documenting the process in hundreds of illustrations and dear step by step instructions makes every expert tip easy to follow From simple maintenance to trouble shooting and complete engine rebuilds it s easy with Haynes Yamaha YB 100 Owners Workshop Manual Pete Shoemark,1988 Yamaha Moto-4 & Big Bear 1987-2004 Penton Staff,2000-05-24 YFM350 2 WD 1987 1999 YFM350FW 4 WD 1987 1999 YFM400 2 WD 2000 2004 YFM400FW 4 WD 2000 2004 **Yamaha V-Star 650 1998-2011** Penton Staff,2000-05-24 Custom Classic Silverado *Yamaha 200 Twins Owners Workshop Manual* Mark Reynolds,Pete Shoemark,1974-01-01 **Yamaha FZ6 Service and Repair Manual** Phil Mather,2008-01-01 FZ6 S SA Fazer 600cc 04 07 FZ6 N NA 600cc 04 07 FZ6 Fazer S2 600cc 07 08 FZ6 S2 600cc 07 08 **Yamaha 50 Service Manual** Yamaha International Corporation,196? **Yamaha Motorcycle RD125(A) (DX)/RD200(A): Supplementary Service Manual** Yamaha Motor Co,1975* Yamaha Service Manual Yamaha International Corporation,1970* **The illustrated guide of Motorcycle Parts** Nicolas REYNIER, English designation with pictures of every single part of a motorcycle Engine parts chassis parts suspensions electronics hardware it s all there You re looking for the name of a part in English Find the picture of the part and so the name associated to it It is organised so it s easy and pleasant to find it This book is for all professionals and students who wish to be able to identify every modern motorcycle part in English **Yamaha 100, L2G Service Manual** ,1970 **Yamaha XT, TT, and SR 500 Singles Owners Workshop Manual, No. 342** John Haynes,1992-06-29

Haynes disassembles every subject vehicle and documents every step with thorough instructions and clear photos Haynes repair manuals are used by the pros but written for the do it yourselfer

Reviewing **Yamaha Mio Parts Manual**: Unlocking the Spellbinding Force of Linguistics

In a fast-paced world fueled by information and interconnectivity, the spellbinding force of linguistics has acquired newfound prominence. Its capacity to evoke emotions, stimulate contemplation, and stimulate metamorphosis is really astonishing. Within the pages of "**Yamaha Mio Parts Manual**," an enthralling opus penned by a highly acclaimed wordsmith, readers embark on an immersive expedition to unravel the intricate significance of language and its indelible imprint on our lives. Throughout this assessment, we shall delve into the book's central motifs, appraise its distinctive narrative style, and gauge its overarching influence on the minds of its readers.

<https://ftp.barnabastoday.com/data/detail/index.jsp/verkaufs%20turnaround%20bordmitteln%20ludwig%20eugen%20vogt.pdf>

Table of Contents Yamaha Mio Parts Manual

1. Understanding the eBook Yamaha Mio Parts Manual
 - The Rise of Digital Reading Yamaha Mio Parts Manual
 - Advantages of eBooks Over Traditional Books
2. Identifying Yamaha Mio Parts Manual
 - Exploring Different Genres
 - Considering Fiction vs. Non-Fiction
 - Determining Your Reading Goals
3. Choosing the Right eBook Platform
 - Popular eBook Platforms
 - Features to Look for in an Yamaha Mio Parts Manual
 - User-Friendly Interface
4. Exploring eBook Recommendations from Yamaha Mio Parts Manual
 - Personalized Recommendations
 - Yamaha Mio Parts Manual User Reviews and Ratings

- Yamaha Mio Parts Manual and Bestseller Lists
- 5. Accessing Yamaha Mio Parts Manual Free and Paid eBooks
 - Yamaha Mio Parts Manual Public Domain eBooks
 - Yamaha Mio Parts Manual eBook Subscription Services
 - Yamaha Mio Parts Manual Budget-Friendly Options
- 6. Navigating Yamaha Mio Parts Manual eBook Formats
 - ePub, PDF, MOBI, and More
 - Yamaha Mio Parts Manual Compatibility with Devices
 - Yamaha Mio Parts Manual Enhanced eBook Features
- 7. Enhancing Your Reading Experience
 - Adjustable Fonts and Text Sizes of Yamaha Mio Parts Manual
 - Highlighting and Note-Taking Yamaha Mio Parts Manual
 - Interactive Elements Yamaha Mio Parts Manual
- 8. Staying Engaged with Yamaha Mio Parts Manual
 - Joining Online Reading Communities
 - Participating in Virtual Book Clubs
 - Following Authors and Publishers Yamaha Mio Parts Manual
- 9. Balancing eBooks and Physical Books Yamaha Mio Parts Manual
 - Benefits of a Digital Library
 - Creating a Diverse Reading Collection Yamaha Mio Parts Manual
- 10. Overcoming Reading Challenges
 - Dealing with Digital Eye Strain
 - Minimizing Distractions
 - Managing Screen Time
- 11. Cultivating a Reading Routine Yamaha Mio Parts Manual
 - Setting Reading Goals Yamaha Mio Parts Manual
 - Carving Out Dedicated Reading Time
- 12. Sourcing Reliable Information of Yamaha Mio Parts Manual
 - Fact-Checking eBook Content of Yamaha Mio Parts Manual
 - Distinguishing Credible Sources

13. Promoting Lifelong Learning
 - Utilizing eBooks for Skill Development
 - Exploring Educational eBooks
14. Embracing eBook Trends
 - Integration of Multimedia Elements
 - Interactive and Gamified eBooks

Yamaha Mio Parts Manual Introduction

In the digital age, access to information has become easier than ever before. The ability to download Yamaha Mio Parts Manual has revolutionized the way we consume written content. Whether you are a student looking for course material, an avid reader searching for your next favorite book, or a professional seeking research papers, the option to download Yamaha Mio Parts Manual has opened up a world of possibilities. Downloading Yamaha Mio Parts Manual provides numerous advantages over physical copies of books and documents. Firstly, it is incredibly convenient. Gone are the days of carrying around heavy textbooks or bulky folders filled with papers. With the click of a button, you can gain immediate access to valuable resources on any device. This convenience allows for efficient studying, researching, and reading on the go. Moreover, the cost-effective nature of downloading Yamaha Mio Parts Manual has democratized knowledge. Traditional books and academic journals can be expensive, making it difficult for individuals with limited financial resources to access information. By offering free PDF downloads, publishers and authors are enabling a wider audience to benefit from their work. This inclusivity promotes equal opportunities for learning and personal growth. There are numerous websites and platforms where individuals can download Yamaha Mio Parts Manual. These websites range from academic databases offering research papers and journals to online libraries with an expansive collection of books from various genres. Many authors and publishers also upload their work to specific websites, granting readers access to their content without any charge. These platforms not only provide access to existing literature but also serve as an excellent platform for undiscovered authors to share their work with the world. However, it is essential to be cautious while downloading Yamaha Mio Parts Manual. Some websites may offer pirated or illegally obtained copies of copyrighted material. Engaging in such activities not only violates copyright laws but also undermines the efforts of authors, publishers, and researchers. To ensure ethical downloading, it is advisable to utilize reputable websites that prioritize the legal distribution of content. When downloading Yamaha Mio Parts Manual, users should also consider the potential security risks associated with online platforms. Malicious actors may exploit vulnerabilities in unprotected websites to distribute malware or steal personal information. To protect themselves, individuals should ensure their devices have reliable antivirus software installed and

validate the legitimacy of the websites they are downloading from. In conclusion, the ability to download Yamaha Mio Parts Manual has transformed the way we access information. With the convenience, cost-effectiveness, and accessibility it offers, free PDF downloads have become a popular choice for students, researchers, and book lovers worldwide. However, it is crucial to engage in ethical downloading practices and prioritize personal security when utilizing online platforms. By doing so, individuals can make the most of the vast array of free PDF resources available and embark on a journey of continuous learning and intellectual growth.

FAQs About Yamaha Mio Parts Manual Books

1. Where can I buy Yamaha Mio Parts Manual books? Bookstores: Physical bookstores like Barnes & Noble, Waterstones, and independent local stores. Online Retailers: Amazon, Book Depository, and various online bookstores offer a wide range of books in physical and digital formats.
2. What are the different book formats available? Hardcover: Sturdy and durable, usually more expensive. Paperback: Cheaper, lighter, and more portable than hardcovers. E-books: Digital books available for e-readers like Kindle or software like Apple Books, Kindle, and Google Play Books.
3. How do I choose a Yamaha Mio Parts Manual book to read? Genres: Consider the genre you enjoy (fiction, non-fiction, mystery, sci-fi, etc.). Recommendations: Ask friends, join book clubs, or explore online reviews and recommendations. Author: If you like a particular author, you might enjoy more of their work.
4. How do I take care of Yamaha Mio Parts Manual books? Storage: Keep them away from direct sunlight and in a dry environment. Handling: Avoid folding pages, use bookmarks, and handle them with clean hands. Cleaning: Gently dust the covers and pages occasionally.
5. Can I borrow books without buying them? Public Libraries: Local libraries offer a wide range of books for borrowing. Book Swaps: Community book exchanges or online platforms where people exchange books.
6. How can I track my reading progress or manage my book collection? Book Tracking Apps: Goodreads, LibraryThing, and Book Catalogue are popular apps for tracking your reading progress and managing book collections. Spreadsheets: You can create your own spreadsheet to track books read, ratings, and other details.
7. What are Yamaha Mio Parts Manual audiobooks, and where can I find them? Audiobooks: Audio recordings of books, perfect for listening while commuting or multitasking. Platforms: Audible, LibriVox, and Google Play Books offer a wide selection of audiobooks.

8. How do I support authors or the book industry? Buy Books: Purchase books from authors or independent bookstores. Reviews: Leave reviews on platforms like Goodreads or Amazon. Promotion: Share your favorite books on social media or recommend them to friends.
9. Are there book clubs or reading communities I can join? Local Clubs: Check for local book clubs in libraries or community centers. Online Communities: Platforms like Goodreads have virtual book clubs and discussion groups.
10. Can I read Yamaha Mio Parts Manual books for free? Public Domain Books: Many classic books are available for free as they're in the public domain. Free E-books: Some websites offer free e-books legally, like Project Gutenberg or Open Library.

Find Yamaha Mio Parts Manual :

[verkaufs turnaround bordmitteln ludwig eugen vogt](#)

[vauxhall zafira petrol manual](#)

[vergessen wandkalender 2016 quer monatskalender](#)

[vector calculus marsden instructor solution manual 6th](#)

vermeer 605f baler manuals

[verkoopfolder ford escort 1985 diverse uitvoeringen](#)

[vergleich ergonomischer bewertungsmethoden subjektiven mitarbeiter](#)

verdad sobre el mercado inmobiliario espanol la

[ventilator ht50 clinical manual](#)

[verizon blackberry curve 8330 user manual](#)

verifone sapphire installation guide

vectors in two or three dimensions vectors in two or three dimensions

verizon mifi jetpack manual

[vegetarian slow cooker cookbook desserts](#)

vegan liberi tutti isaggi italian edition

Yamaha Mio Parts Manual :

Pilkey W. D. Peterson s Stress Concentration Factors 3rd ed Stress concentration factor K_t is a dimensionless factor that is used to qualify how concentrated the stress is in material. It is defin... Download Free PDF Peterson's Stress Concentration

Factors | Wiley Online Books Dec 26, 2007 — Peterson's Stress Concentration Factors establishes and maintains a system of data classification for all of the applications of stress and ... PETERSON'S STRESS CONCENTRATION FACTORS Peterson's Stress Concentration Factors, Third Edition. Walter D. Pilkey and Deborah ... JOHN WILEY & SONS, INC. Page 3. This text is printed on acid-free paper. Peterson's Stress Concentration Factors, 3rd Edition Peterson's Stress Concentration Factors, 3rd Edition. Author / Uploaded; Froncasci Otos. Views 932 Downloads 263 File size 32MB. Report DMCA / Copyright. Peterson's stress concentration factors - Z-Library Download Peterson's stress concentration factors book for free from Z-Library. Stress Concentration The elastic stress concentration factor K_t is the ratio of the maximum stress in the stress raiser to the nominal stress computed by the ordinary mechanics-of- ... Peterson's Stress Concentration Factors by Pilkey, Walter D. Filled with all of the latest developments in stress and strain analysis, this Fourth Edition presents stress concentration factors both graphically and with ... Stress Concentration Factors | PDF Chart 4.2 Stress concentration factors for the tension of a thin semi-infinite element with a circular hole near the edge (Mindlin 1948; Udoguti 1947; Isida ... Table A-15 Charts of Theoretical Stress-Concentration ... by A Figure · Cited by 4 — Source: R. E. Peterson, Stress-. Concentration Factors, Wiley,. New York, 1974, pp. 146, 235. The nominal bending stress is $\sigma_0 = M/Z_{net}$ where Z_{net} is a reduced. Peterson's Stress Concentration Factors, Third Edition Dec 13, 2023 — Peterson's Stress Concentration Factors establishes and maintains a system of data classification for all of the applications of stress and ... Bikini Body Guide: Exercise & Training Plan - L'instant Flo From the food you eat, the beverages you drink, the cardio you do, your resistance training, how much sleep you get, how much work/ study you do and much more! Free High Intensity with Kayla (formerly BBG) Workout Dec 20, 2017 — Try a FREE High Intensity with Kayla workout! Work up a sweat & challenge yourself with this circuit workout inspired by my program. FREE 8 week bikini body guide by Kayla Itsines - Pinterest Dec 24, 2017 — FREE 8 week bikini body guide by Kayla Itsines This 8 week plan cost me £50 so make the most of this while it lasts!! Kayla Itsines' 28-day Home Workout Plan - No Kit Needed Jun 2, 2020 — Kayla Itsines workout: This 28-day plan is for all fitness levels, to help you tone-up and get fit without the gym. FREE 8 week bikini body guide by Kayla Itsines - Pinterest Oct 18, 2017 — FREE 8 week bikini body guide by Kayla Itsines This 8 week plan cost me £50 so make the most of this while it lasts!! The 28-Day Bikini Body Workout Plan - Muscle & Fitness Challenge yourself to get your best-ever bikini body this year! Our four-week program is designed to blast fat, boost metabolism and build muscle, ... You can now do Kayla Itsines' Bikini Body Guide fitness ... Mar 31, 2020 — Fitness icon Kayla Itsines is offering her Bikini Body Guide fitness program free; New members have until April 7th to sign up to Sweat app ... 10 Ways to Get a Bikini Body Fast - wikiHow Start sculpting your bikini body with an easy, 10-minute circuit. After a quick warm-up, start your workout with two 15-24 rep sets of squats. Then, transition ... The Ultimate Beginner's Workout for a Bikini Body Whether you want to get toned, slim thick or bootylicious, this free guide contains all the essentials for women to improve their body, fitness and health. Medical-Surgical Nursing: Critical Thinking ... This book is the Single

volume of Medical-Surgical Nursing: Critical Thinking in Client Care and is a clear presentation of patient care, with its ... Medical-Surgical Nursing: Critical Thinking in Client Care ... This book is the Single volume of Medical-Surgical Nursing: Critical Thinking in Client Care and is a clear presentation of patient care, ... Medical-Surgical Nursing: Critical Thinking in Client Care, ... Medical-Surgical Nursing: Critical Thinking in Client Care Vol. 1 4th Edition. Lemone. Published by Prentice Hall, USA (2007). ISBN 10: 0131713094 ISBN 13 ... Medical Surgical Nursing: Critical... book by Priscilla LeMone Medical-Surgical Nursing, Volume 2: Critical Thinking in Client Care. Priscilla LeMone, Karen M. Burke ; Study Guide for Medical-Surgical Nursing Care. Karen M. Medical-surgical nursing: critical thinking in client ... Edition: 4th ed. Physical Desc: 2 volumes (various pagings) : illustrations, portrait 1 DVD-ROM 4 3/4 in., Also available in a single vol. version. Status ... Medical surgical nursing, critical thinking in client ... This book is the Single volume of Medical-Surgical Nursing: Critical Thinking in Client Care and is a clear presentation of patient care, with its consistent ... Medical-Surgical Nursing Critical Thinking in Client Care, Single ... Publisher Description. This book is the Single volume of Medical-Surgical Nursing: Critical Thinking in Client Care and is a clear presentation of patient care, ... Medical-Surgical Nursing: Critical Thinking in Client Care This book is the Single volume of Medical-Surgical Critical Thinking in Client Care and is a clear presentation of patient care, with its consistent format ... Medical-Surgical Nursing: Critical Thinking in Client Care ... Medical-Surgical Nursing: Critical Thinking in Client Care, Single Volume (4th E ; Condition. Good ; Quantity. 3 sold. 3 available ; Item Number. 302334993460. Critical Thinking in Client Care, Single Volume (4th Edition) Priscilla LeMone is the author of 'Medical-Surgical Nursing: Critical Thinking in Client Care, Single Volume (4th Edition)', published 2007 under ISBN ...