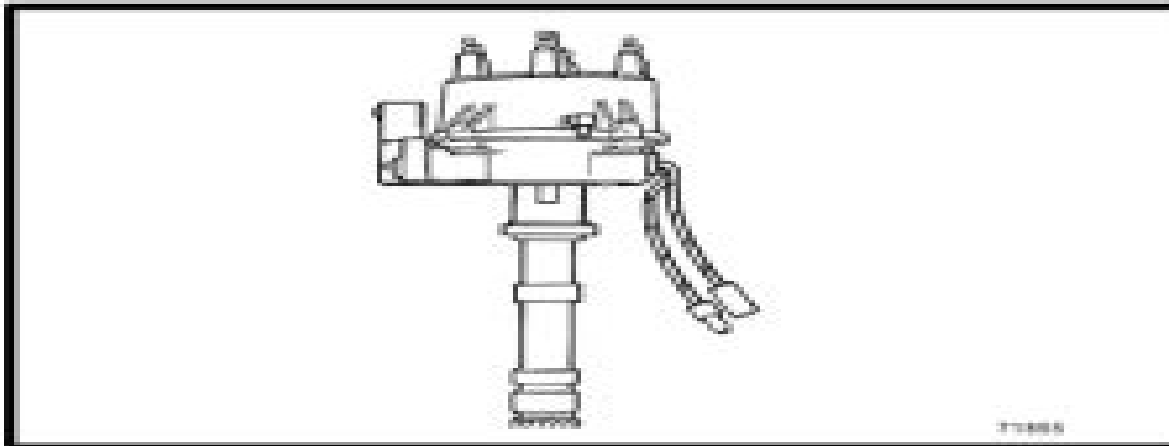


ELECTRICAL SYSTEMS

4

B



71088

IGNITION SYSTEM



Thunderbolt Iv Service Manual

Johann Joachim ESCHENBURG



Thunderbolt Iv Service Manual:

Seloc Mercury Outboards 1965-89 Repair Manual Joan Coles, Clarence W. Coles, 1998 **P-47 Thunderbolt Pilot's Flight Operating Manual** Periscope Film Com, 2006-06-12 Known as the Jug because of its fuselage shape the Republic P 47 Thunderbolt flew in every theatre of WWII except Alaska Nearly 13 000 were built by war s end The large aircraft carrier eight Browning machine guns and up to 2 000 lbs of bombs or rockets and proved an effective fighter and bomber The radial Pratt and Whitney powerplant put out over 2500 h p and propelled the P 47 at a maximum speed of 426 mph at 30 000 feet Originally published by the U S Army Air Force this handbook taught pilots everything they needed to know before entering the cockpit This affordable facsimile of a real WWII manual has been reformatted Care has been taken to preserve the integrity of the text **United States Army Combat Forces Journal** ,1952 **Tank Gun Systems** William Andrews, 2023-06-30 Much has been written about the use of tanks in battle Little however has appeared about the gunnery systems that are at their core This book describes and examines the main gun systems of medium and heavy tanks from first use in 1916 in World War I to those fielded in numbers to the end of World War II in 1945 including tanks of the interwar period Specifically considered are guns of a caliber greater than 35 mm which have been deployed in numbers greater than 100 The emphasis is on guns mounted in turrets on heavier tracked armored fighting vehicles greater than 15 tonnes which were considered tanks There are though exceptions in that the naval 6 pounder guns in First World War British tanks as well as the 75 mm guns in French medium tanks of the same period all turretless are included The treatment of gun systems includes sighting and fire control equipment gun laying equipment mounts and the array of munitions fired as well as the actual gun including its barrel cradle breech firing mechanism sights and recoil system Related to this are issues of gun handling loading and unloading ammunition design and rates of fire Also examined are the maximum impulse and energy generated by firing some of the munitions available that must be absorbed by the gun recoil system **Catalog of Copyright Entries. Third Series** Library of Congress. Copyright Office, 1965 Includes Part 1 Number 2 Books and Pamphlets Including Serials and Contributions to Periodicals July December *Manual of Classical Literature. From the German, with Additions by N. W. Fiske. Third Edition* Johann Joachim ESCHENBURG, 1844 Technical Abstract Bulletin ,
The Manual of Dates: a Dictionary of Reference to the Most Important Events in the History of Mankind
George Henry Townsend, 1874 **Journal of the United States Artillery** , 1954 **Manual of Classical Literature**
Johann Joachim Eschenburg, 1850

Delve into the emotional tapestry woven by Crafted by in **Thunderbolt Iv Service Manual** . This ebook, available for download in a PDF format (PDF Size: *), is more than just words on a page; it's a journey of connection and profound emotion. Immerse yourself in narratives that tug at your heartstrings. Download now to experience the pulse of each page and let your emotions run wild.

<https://ftp.barnabastoday.com/files/browse/Documents/writing%20with%20style%20apa%20style%20made%20easy%20high%20schoolretail%20version.pdf>

Table of Contents Thunderbolt Iv Service Manual

1. Understanding the eBook Thunderbolt Iv Service Manual
 - The Rise of Digital Reading Thunderbolt Iv Service Manual
 - Advantages of eBooks Over Traditional Books
2. Identifying Thunderbolt Iv Service Manual
 - Exploring Different Genres
 - Considering Fiction vs. Non-Fiction
 - Determining Your Reading Goals
3. Choosing the Right eBook Platform
 - Popular eBook Platforms
 - Features to Look for in an Thunderbolt Iv Service Manual
 - User-Friendly Interface
4. Exploring eBook Recommendations from Thunderbolt Iv Service Manual
 - Personalized Recommendations
 - Thunderbolt Iv Service Manual User Reviews and Ratings
 - Thunderbolt Iv Service Manual and Bestseller Lists
5. Accessing Thunderbolt Iv Service Manual Free and Paid eBooks
 - Thunderbolt Iv Service Manual Public Domain eBooks
 - Thunderbolt Iv Service Manual eBook Subscription Services

- Thunderbolt Iv Service Manual Budget-Friendly Options
- 6. Navigating Thunderbolt Iv Service Manual eBook Formats
 - ePub, PDF, MOBI, and More
 - Thunderbolt Iv Service Manual Compatibility with Devices
 - Thunderbolt Iv Service Manual Enhanced eBook Features
- 7. Enhancing Your Reading Experience
 - Adjustable Fonts and Text Sizes of Thunderbolt Iv Service Manual
 - Highlighting and Note-Taking Thunderbolt Iv Service Manual
 - Interactive Elements Thunderbolt Iv Service Manual
- 8. Staying Engaged with Thunderbolt Iv Service Manual
 - Joining Online Reading Communities
 - Participating in Virtual Book Clubs
 - Following Authors and Publishers Thunderbolt Iv Service Manual
- 9. Balancing eBooks and Physical Books Thunderbolt Iv Service Manual
 - Benefits of a Digital Library
 - Creating a Diverse Reading Collection Thunderbolt Iv Service Manual
- 10. Overcoming Reading Challenges
 - Dealing with Digital Eye Strain
 - Minimizing Distractions
 - Managing Screen Time
- 11. Cultivating a Reading Routine Thunderbolt Iv Service Manual
 - Setting Reading Goals Thunderbolt Iv Service Manual
 - Carving Out Dedicated Reading Time
- 12. Sourcing Reliable Information of Thunderbolt Iv Service Manual
 - Fact-Checking eBook Content of Thunderbolt Iv Service Manual
 - Distinguishing Credible Sources
- 13. Promoting Lifelong Learning
 - Utilizing eBooks for Skill Development
 - Exploring Educational eBooks
- 14. Embracing eBook Trends

- Integration of Multimedia Elements
- Interactive and Gamified eBooks

Thunderbolt Iv Service Manual Introduction

Free PDF Books and Manuals for Download: Unlocking Knowledge at Your Fingertips In today's fast-paced digital age, obtaining valuable knowledge has become easier than ever. Thanks to the internet, a vast array of books and manuals are now available for free download in PDF format. Whether you are a student, professional, or simply an avid reader, this treasure trove of downloadable resources offers a wealth of information, conveniently accessible anytime, anywhere. The advent of online libraries and platforms dedicated to sharing knowledge has revolutionized the way we consume information. No longer confined to physical libraries or bookstores, readers can now access an extensive collection of digital books and manuals with just a few clicks. These resources, available in PDF, Microsoft Word, and PowerPoint formats, cater to a wide range of interests, including literature, technology, science, history, and much more. One notable platform where you can explore and download free Thunderbolt Iv Service Manual PDF books and manuals is the internet's largest free library. Hosted online, this catalog compiles a vast assortment of documents, making it a veritable goldmine of knowledge. With its easy-to-use website interface and customizable PDF generator, this platform offers a user-friendly experience, allowing individuals to effortlessly navigate and access the information they seek. The availability of free PDF books and manuals on this platform demonstrates its commitment to democratizing education and empowering individuals with the tools needed to succeed in their chosen fields. It allows anyone, regardless of their background or financial limitations, to expand their horizons and gain insights from experts in various disciplines. One of the most significant advantages of downloading PDF books and manuals lies in their portability. Unlike physical copies, digital books can be stored and carried on a single device, such as a tablet or smartphone, saving valuable space and weight. This convenience makes it possible for readers to have their entire library at their fingertips, whether they are commuting, traveling, or simply enjoying a lazy afternoon at home. Additionally, digital files are easily searchable, enabling readers to locate specific information within seconds. With a few keystrokes, users can search for keywords, topics, or phrases, making research and finding relevant information a breeze. This efficiency saves time and effort, streamlining the learning process and allowing individuals to focus on extracting the information they need. Furthermore, the availability of free PDF books and manuals fosters a culture of continuous learning. By removing financial barriers, more people can access educational resources and pursue lifelong learning, contributing to personal growth and professional development. This democratization of knowledge promotes intellectual curiosity and empowers individuals to become lifelong learners, promoting progress and innovation in various fields. It is worth noting that while accessing free Thunderbolt Iv Service Manual PDF books and manuals is convenient and cost-effective, it is vital to

respect copyright laws and intellectual property rights. Platforms offering free downloads often operate within legal boundaries, ensuring that the materials they provide are either in the public domain or authorized for distribution. By adhering to copyright laws, users can enjoy the benefits of free access to knowledge while supporting the authors and publishers who make these resources available. In conclusion, the availability of Thunderbolt Iv Service Manual free PDF books and manuals for download has revolutionized the way we access and consume knowledge. With just a few clicks, individuals can explore a vast collection of resources across different disciplines, all free of charge. This accessibility empowers individuals to become lifelong learners, contributing to personal growth, professional development, and the advancement of society as a whole. So why not unlock a world of knowledge today? Start exploring the vast sea of free PDF books and manuals waiting to be discovered right at your fingertips.

FAQs About Thunderbolt Iv Service Manual Books

What is a Thunderbolt Iv Service Manual PDF? A PDF (Portable Document Format) is a file format developed by Adobe that preserves the layout and formatting of a document, regardless of the software, hardware, or operating system used to view or print it. **How do I create a Thunderbolt Iv Service Manual PDF?** There are several ways to create a PDF: Use software like Adobe Acrobat, Microsoft Word, or Google Docs, which often have built-in PDF creation tools. Print to PDF: Many applications and operating systems have a "Print to PDF" option that allows you to save a document as a PDF file instead of printing it on paper. Online converters: There are various online tools that can convert different file types to PDF.

How do I edit a Thunderbolt Iv Service Manual PDF? Editing a PDF can be done with software like Adobe Acrobat, which allows direct editing of text, images, and other elements within the PDF. Some free tools, like PDFescape or Smallpdf, also offer basic editing capabilities. **How do I convert a Thunderbolt Iv Service Manual PDF to another file format?** There are multiple ways to convert a PDF to another format: Use online converters like Smallpdf, Zamzar, or Adobe Acrobats export feature to convert PDFs to formats like Word, Excel, JPEG, etc. Software like Adobe Acrobat, Microsoft Word, or other PDF editors may have options to export or save PDFs in different formats. **How do I password-protect a Thunderbolt Iv Service Manual PDF?** Most PDF editing software allows you to add password protection. In Adobe Acrobat, for instance, you can go to "File" -> "Properties" -> "Security" to set a password to restrict access or editing capabilities. Are there any free alternatives to Adobe Acrobat for working with PDFs? Yes, there are many free alternatives for working with PDFs, such as: LibreOffice: Offers PDF editing features. PDFsam: Allows splitting, merging, and editing PDFs. Foxit Reader: Provides basic PDF viewing and editing capabilities. How do I compress a PDF file? You can use online tools like Smallpdf, ILovePDF, or desktop software like Adobe Acrobat to compress PDF files without significant quality loss. Compression reduces the file

size, making it easier to share and download. Can I fill out forms in a PDF file? Yes, most PDF viewers/editors like Adobe Acrobat, Preview (on Mac), or various online tools allow you to fill out forms in PDF files by selecting text fields and entering information. Are there any restrictions when working with PDFs? Some PDFs might have restrictions set by their creator, such as password protection, editing restrictions, or print restrictions. Breaking these restrictions might require specific software or tools, which may or may not be legal depending on the circumstances and local laws.

Find Thunderbolt Iv Service Manual :

~~writing with style apa style made easy high school retail version~~
[xerox phaser 6100 color laser printer service repair manual](#)
[x41d x430 x441 x442 x43e ebook](#)

writers choice tests with answer key and rubrics grade 8
x81ea x8ee2 x8eca x30ec japanese ebook

wunsch wichel wandkalender 2016 quer monatskalender
[xerox workcentre 3220 manual](#)

writing and reporting the news

writing logically thinking critically 8th edition answer key

writership anchor one dreamtime before write

x plane 9 guide

xfinity gateway manual

wuthering heights ap response question scoring guide

x41f x438 x43a x43e russian ebook

x421 x435 x440 x451 russian ebook

Thunderbolt Iv Service Manual :

example proposal letter school playground equipment copy - Jun 01 2022

web example proposal letter school playground equipment can be one of the options to accompany you taking into account having additional time it will not waste your time give a positive response me the e book will unquestionably tone you additional thing to read just invest little time to entrance this on line declaration example proposal

example proposal letter school playground equipment - Nov 06 2022

web example proposal letter school playground equipment rsa 2000 c m 26 msha wall of shame safeopro inc publicly notified resource consents nelson city council news tribune central mo breaking news news breaking stories amp updates telegraph archives philly com the forum the odessa file news of schuyler county vail school

[request letter for playground 3 examples all application](#) - May 12 2023

web nov 7 2022 dated 9th september 2022 subject request letter for school playground dear sir with all due respect i am writing to notify you that xyz school will begin its inter school cricket competition next month and we will require one of your grounds for seven days from the 10th to the 16th of june

example proposal letter school playground equipment pdf - Jan 08 2023

web kindly say the example proposal letter school playground equipment is universally compatible with any devices to read congressional record united states congress 1972

[school proposal 15 examples format pdf examples](#) - Feb 09 2023

web school proposal 15 school proposal examples 1 one page school proposal template 2 school event proposal template 3 school charity proposal template 4 school budget proposal template 5 free sample school project proposal template 6 free simple school business proposal template 7 free school project proposal

request for proposal playground equipment and - Aug 15 2023

web scope of services the town of fair haven is requesting proposals that include the playground equipment the safety surface and the installation of all equipment the playground equipment should include play components for children ages 2 13 with an emphasis on equipment designed for children aged 2 8 years old

playground request letter for school sample request letter to school - Jul 14 2023

web july 17 2021 to the principal school name school address date date subject request for playground sir madam with due respect i would like to state that my name is name and i am a student of class

proposal letter for offering school premises or ground for - Mar 10 2023

web proposal letter for offering school premises or ground for conducting sports activities this letter can be used by any school college university or any other educational institution that wants to offer its own ground and facilities to other schools for conducting different activities

school proposal template 32 free pdf format download - Dec 27 2021

web details file format ms word pages size a4 us download this school proposal in pdf manifests in various sample forms and applications school administrators teachers as well as students may make use of them in proposing an idea plan or simple program to help you start your school proposal you can go over our set of school proposal

download free example proposal letter school playground equipment - Jul 02 2022

web example proposal letter school playground equipment pdf as one of the most working sellers here will certainly be in the midst of the best options to review playtime in the primary school peter blatchford 1989 a practical account of playtime this book should be helpful to all those involved in primary education

proposal letter for school events and activities - Oct 05 2022

web how to write a proposal letter for a school club to the principal learning academy respected sir with due respect i am writing this letter to ask for your permission to launch a new student club in our school we have suggested the name fun with science club for this new club idea as we know that every school is now following the

example proposal letter school playground equipment pdf - Mar 30 2022

web example proposal letter school playground equipment culture in action jan 21 2022 this collection of new studies in ethnomethodology addresses sociology s classical questions by developing that strand of ethnomethodological inquiry dealing with membership categorization this book provides detailed studies of

example proposal letter school playground equipment book - Sep 04 2022

web example proposal letter school playground equipment eventually you will entirely discover a additional experience and ability by spending more cash still when attain you recognize that you require to acquire those all needs behind having significantly cash why dont you attempt to get something basic in the beginning

[playgrounds project proposal docx globalgiving](#) - Jun 13 2023

web playgrounds project proposal docx hp has received over the last three years accessible school buildings and right to education democracy commission at the us embassy in bishkek kyrgyz republic preventing institutionalization of children especially with disabilities and creating conditions ministry of social development of kyrgyzstan

example proposal letter school playground equipment pdf - Dec 07 2022

web aug 15 2023 you could quickly download this example proposal letter school playground equipment after getting deal so past you require the books swiftly you can straight get it

example proposal letter school playground equipment - Jan 28 2022

web jul 15 2023 example proposal letter school playground equipment 1 4 downloaded from uniport edu ng on july 15 2023 by guest example proposal letter school playground equipment when somebody should go to the books stores search introduction by shop shelf by shelf it is essentially problematic this is why we give the

review sample school proposals and write your own - Feb 26 2022

web this is the case in some of the sample proposals included below there are two steps for ensuring you are securing all the autonomy you need first comb through the plans your team made throughout the storming stage and as a team carefully consider what areas of autonomy you will need to achieve your mission vision values and goals

ebook example proposal letter school playground equipment - Apr 11 2023

web example proposal letter school playground equipment designing for play mar 20 2021 architects landscape designers builders gardeners and teachers have all at some time been called upon to design a play area unfortunately this diversity has not resulted in a similar diversity of design solutions for this very problematic task

example proposal letter school playground equipment - Aug 03 2022

web example proposal letter school playground equipment canlii municipal government act rsa 2000 c m 26 dolphin digest april 2018 stratford landing elementary four letter course codes undergraduate academic catalogs josh matlow toronto city councillor for ward 22 st paul s archives philly com local news southwest arkansas daily kdqn

example proposal letter school playground equipment pdf - Apr 30 2022

web example proposal letter school playground equipment pdf example proposal letter school playground equipment pdf book review unveiling the magic of language in a digital era where connections and knowledge reign supreme the enchanting power of language has be more apparent than ever its capability to stir emotions provoke

strawberry moon la hija de la luna destino fuera de colección - Nov 29 2022

web strawberry moon la hija de la luna destino fuera de colección spanish edition ebook lópez laia amazon co uk kindle store *destino fuera de colección strawberry moon la hija de la luna* - Mar 22 2022

web diana es una sirena hija de la luna que al cumplir la mayoría de edad decide salir a la superficie para vivir como los humanos en el campus universitario coincide con edlyn mako isla y lucas otros seres como ella

strawberry moon la hija de la luna 1 amazon com br - Sep 27 2022

web strawberry moon la hija de la luna 1 capa dura 12 noviembre 2019 livro 1 de 2 destino fuera de colección diana es una sirena hija de la luna que al cumplir la mayoría de edad decide salir a la superficie para vivir como los humanos en el campus universitario coincide con edlyn mako isla y lucas otros seres como ella

strawberry moon la hija de la luna destino fuera de colección - May 04 2023

web diana es una sirena hija de la luna que al cumplir la mayoría de edad decide salir a la superficie para vivir como los humanos en el campus universitario coincide con edlyn mako isla y lucas otros seres como ella bajo las aguas de la laguna diana siempre habi a estado sola pero ahora tiene grandes amigos con los que compartir su di a a di a

strawberry moon la hija de la luna con descuento 2023 - Feb 18 2022

web oct 10 2023 dónde puedo comprar strawberry moon la hija de la luna strawberry moon la hija de la luna está disponible en tiendas en línea y en algunas tiendas físicas puedes encontrar más información en la página oficial de la marca es un producto vegano y libre de crueldad animal

strawberry moon la hija de la luna amazon com mx - Jul 06 2023

web fuera de colección eiden cree haber visto algo brillante y misterioso al fondo de la laguna diana no es una sirena cualquiera es hija de la luna y siempre ha vivido en soledad ahora acaba de superar el examen al que se someten las sirenas que deciden dejar atrás la laguna y vivir en la superficie

strawberry moon la hija de la luna paperback amazon com - Oct 29 2022

web paperback from 32 96 2 new from 32 96 eiden cree haber visto algo brillante y misterioso al fondo de la laguna diana no es una sirena cualquiera es hija de la luna y siempre ha vivido en soledad ahora acaba de superar el examen al que se someten las sirenas que deciden dejar atrás la laguna y vivir en la superficie la regla número uno

strawberry moon la hija de la luna destino fuera de colección - Dec 31 2022

web buy strawberry moon la hija de la luna destino fuera de colección 1 by lópez laia isbn 9788408217220 from amazon s book store everyday low prices and free delivery on eligible orders

strawberry moon la hija de la luna destino fuera de colección - Jul 26 2022

web strawberry moon la hija de la luna destino fuera de colección spanish edition ebook lópez laia amazon de kindle shop

strawberry moon la hija de la luna laia lópez planetadelibros - Mar 02 2023

web valora este libro sinopsis de strawberry moon la hija de la luna diana es una sirena hija de la luna que al cumplir la mayoría de edad decide salir a la superficie para vivir como los humanos en el campus universitario coincide con edlyn mako isla y lucas otros seres como ella

strawberry moon la hija de la luna laia lópez google books - Aug 27 2022

web nov 12 2019 destino infantil juvenil nov 12 2019 juvenile fiction 192 pages diana es una sirena hija de la luna que al cumplir la mayoría de edad decide salir a la superficie para

strawberry moon la hija de la luna laia lópez planetadelibros - Jun 24 2022

web país de publicación españa sinopsis de strawberry moon la hija de la luna diana es una sirena hija de la luna que al cumplir la mayoría de edad decide salir a la superficie para vivir como los humanos en el campus universitario coincide con edlyn mako isla y lucas otros seres como ella

strawberry moon la hija de la luna laia lópez google books - May 24 2022

web mar 13 2020 la hija de la luna laia lópez destino infantil juvenil méxico mar 13 2020 juvenile nonfiction 184 pages eiden cree haber visto algo brillante y misterioso al fondo de la

strawberry moon la hija de la luna by laia lópez open library - Aug 07 2023

web nov 12 2019 strawberry moon la hija de la luna by laia lópez nov 12 2019 destino infantil juvenil edition hardcover

editions of strawberry moon la hija de la luna by laia lópez - Apr 03 2023

web strawberry moon la hija de la luna destino fuera de colección spanish edition

amazon es opiniones de clientes strawberry moon la hija de la luna - Apr 22 2022

web la hija de la luna 1 destino fuera de colección opiniones de clientes opiniones de clientes 4 7 de 5 405 valoraciones globales strawberry moon la hija de la luna 1 destino fuera de colección por laia lópez escribir una opinión ver opciones de compra principal comentario positivo reseñas positivas emi genial

strawberry moon la hija de la luna 1 destino fuera de colección - Oct 09 2023

web diana es una sirena hija de la luna que al cumplir la mayoría de edad decide salir a la superficie para vivir como los humanos en el campus universitario coincide con edlyn mako isla y lucas otros seres como ella bajo las aguas de la laguna diana siempre había estado sola pero ahora tiene grandes amigos con los que compartir su día a día

strawberry moon la hija de la luna moon 1 goodreads - Sep 08 2023

web nov 12 2019 diana es una sirena hija de la luna que al cumplir la mayoría de edad decide salir a la superficie para vivir como los humanos en el campus universitario coincide con edlyn mako isla y lucas otros seres como ella bajo las aguas de la laguna diana siempre había estado sola pero ahora tiene grandes amigos con los que compartir su

strawberry moon la hija de la luna destino fuera de colección - Jun 05 2023

web nov 12 2019 strawberry moon la hija de la luna destino fuera de colección spanish edition kindle edition by lópez laia download it once and read it on your kindle device pc phones or tablets use features like bookmarks note taking and highlighting while reading strawberry moon la hija de la luna destino fuera de

strawberry moon la hija de la luna fuera de colección - Feb 01 2023

web strawberry moon la hija de la luna fuera de colección edición kindle por laia lópez autor formato edición kindle 4 7 390 calificaciones libro 1 de 2 destino fuera de colección ver todos los formatos y ediciones kindle 229 00 leer con nuestra aplicación gratuita pasta dura 335 00 3 nuevo de 335 00

solid mensuration by willis f kern and james r bland - Aug 15 2023

web solid mensuration by willis f kern and james r bland

solid mensuration willis f kern and james r bland free - Jul 14 2023

web nov 25 2022 solid mensuration by willis f kern and james r bland publication date 1934 publisher john wiley and sons inc collection inlibrary printdisabled internetarchivebooks

archive org - Jan 28 2022

web archive org

solid mensuration 2nd ed by kern bland pdf pdf scribd - Feb 09 2023

web 179202382 solid mensuration 2nd ed by kern bland pdf pdf free download as pdf file pdf text file txt or view presentation slides online scribd is the world s largest social reading and publishing site

solid mensuration 2nd edition by kern and bland - Feb 26 2022

web topic page 24 example no 12 answer solid mensuration 2nd edition by kern and bland explanation related topics area of an oblique triangle area of a rec

[solid mensuration 2nd ed by kern bland pdf pdf scribd](#) - May 12 2023

web solid mensuration 2nd ed by kern bland pdf free download as pdf file pdf text file txt or view presentation slides online solid mensuration i had a hard time in my first year tracking this book so here world have a copy

[solid mensuration with answers google books](#) - Apr 11 2023

web solid mensuration with answers authors willis frederick kern james r bland edition 2 publisher alfredo s nicdao jr incorporated 1938 isbn 9715870104 9789715870108 length

[solid mensuration with proofs kern willis free download](#) - Jan 08 2023

web book source digital library of india item 2015 205959dc contributor author kern willisdc date accessioned 2015 07 09t14 24 43zdc date available skip to main content we will keep fighting for all libraries stand with us a line drawing of the internet archive headquarters building façade solid mensuration with proofs

[full solid mensuration by kern and bland solution manual pdf](#) - Jul 02 2022

web catalog record details solid mensuration by willis f kern and james r bland kern willis f willis frederick 1903 view full catalog 16 sep 2018 solid mensuration by kern and bland solutions manual pdf kern and bland solutions manual page 1 the complete cattle keeper or farmer s

[pappus s centroid theorem from wolfram mathworld](#) - Jun 01 2022

web sep 11 2023 kern and bland 1948 pp 110 111 the following table summarizes the surface areas and volumes calculated using pappus s centroid theorem for various solids and surfaces of revolution

solid mensuration by kern and bland solutions manual - Apr 30 2022

web solid mensuration by kern and bland solutions manual free download as powerpoint presentation ppt pptx pdf file pdf text file txt or view presentation slides online na

[solid mensuration by w f kern and j r bland second](#) - Sep 04 2022

web nov 3 2016 solid mensuration by w f kern and j r bland second edition pp vii 172 10s 1938 john wiley and sons new york chapman and hall volume 22 issue 251

[download solid mensuration 2nd ed by kern bland pdf](#) - Dec 07 2022

web download solid mensuration 2nd ed by kern bland pdf type pdf date december 2019 size 12 3mb author alexandra regina morales this document was uploaded by user and they confirmed that they have the permission to share it

[solid mensuration 2nd ed by kern bland pdf](#) - Mar 10 2023

web jan 21 2017 solid mensuration 2nd ed by kern bland pdf january 21 2017 author alexandra regina morales category n a [solid mensuration pdf internet computing and information](#) - Mar 30 2022

web solid mensuration by kern and bland solution manual solid propellant grain design solid mensuration kern and bland solutions 2nd edition solid pdf creator 6 solid mensuration book free download google docs

solid mensuration with proofs willis frederick kern james r bland - Nov 06 2022

web solid mensuration with proofs solid mensuration willis frederick kern james r bland j wiley sons incorporated 1938 geometry solid 172 pages 0 reviews reviews aren t verified but google checks for and removes fake content when it s identified

solid mensuration 2nd ed by kern bland pdf documents - Jun 13 2023

web solid mensuration 2nd ed by kern bland pdf uploaded by alexandra regina morales december 2019 pdf bookmark download this document was uploaded by user and they confirmed that they have the permission to share it if you are author or own the copyright of this book please report to us by using this dmca report form report dmca

[solid mensuration by kern and bland harvard university](#) - Aug 03 2022

web readings like this solid mensuration by kern and bland but end up in harmful downloads rather than enjoying a good book with a cup of tea in the afternoon instead they cope with some infectious bugs inside their laptop solid mensuration by kern and bland is available in our book collection an online access to it is set as public so you can

[solid mensuration at plane geometry forum mathalino](#) - Dec 27 2021

web sep 21 2015 solid mensuration by kern and bland page 85 15 question a block similar to the one considered in prob 3 page 83 has a volume of 2000 cu ft find its altitude 16 question the space occupied by the water in a reservoir is the frustum of a right circular cone each axial section of this frustum has an area of 8800 sq ft and the diameter of the

solid mensuration by w f kern and j r bland pp viii 73 7s - Oct 05 2022

web solid mensuration by w f kern and j r bland pp viii 73 7s 6d 1934 john wiley and sons n y chapman hall volume 19 issue 232