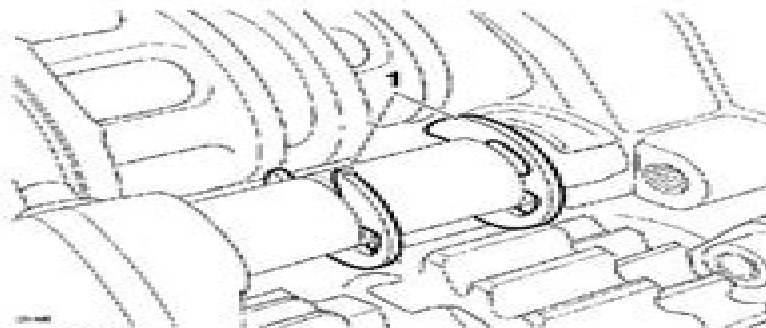


## Installation

1. Push the input shaft selector shaft into the transmission housing, with the two grooves facing towards the housing, from the input shaft side. As the shaft is inserted locate the selector fork. Ensure the fork is fixed in the position noted during removal.
2. Fit new E-clips to the grooves in the shaft between the selector fork and the transmission housing.



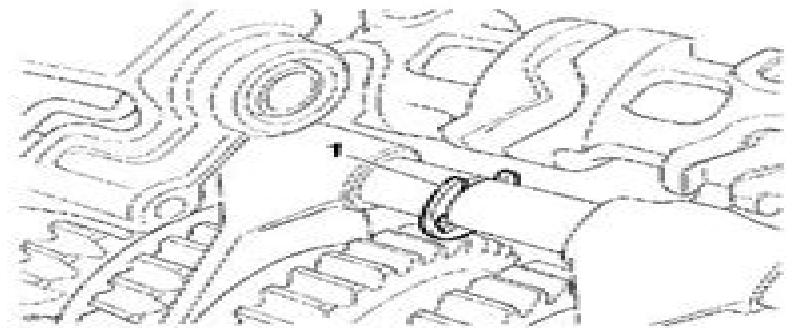
1. E-clips

**Caution**

The selector forks can be fitted incorrectly. Ensure the position and orientation of the selector forks are marked prior to removal. Incorrect fitting of the selector forks will cause gearbox damage or incorrect operation.

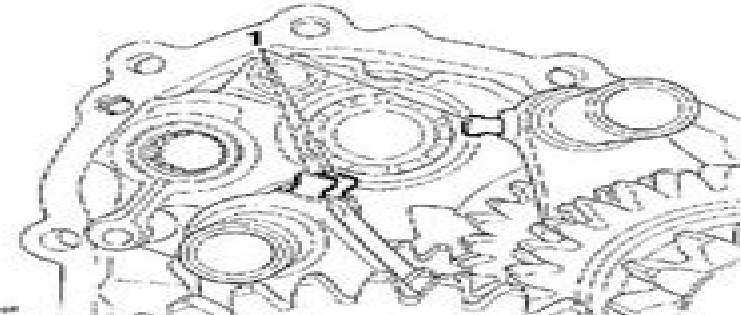
3. Push the output shaft selector shaft into the transmission housing, with the single groove facing away from the housing, from the output shaft side. As the shaft is inserted locate the selector forks. Ensure the forks are fixed in the position noted during removal.

4. Fit a new E-clip to the groove in the shaft between the two selector forks.



1. E-clip

5. Check that the pins on each selector fork face inwards towards each other, as shown below.



1. Selector fork pins

6. If removed, refit the selector drum bearing to the transmission housing. Install the keeper plate and secure with a new fixing. Tighten to **12 Nm**.
7. Using clean engine oil, lubricate the selector drum bearing.
8. Set the transmission in neutral.
9. Engage the selector drum into the bearing and lower until the grooves on the drum engage with the three selector fork pins.
10. Check that the three selector fork pins are correctly engaged in the selector fork grooves. Rectify as necessary.

# Tiger Explorer Service Manual

**Lei Huang**



## **Tiger Explorer Service Manual:**

**Snowmobile Service Manual** Intertec Publishing Corporation. Technical Publications Division, 1979 Clymer Snowmobile Service Manual 11th Edition Penton Staff, 1991-06-01 With the help of the Clymer Snowmobile Service Manual 11th Edition in your toolbox you will be able to maintain service and repair your snowmobile to extend its life for years to come Clymer manuals are very well known for their thorough and comprehensive nature This manual is loaded with step by step procedures along with detailed photography exploded views charts and diagrams to enhance the steps associated with a service or repair task This Clymer manual is organized by subsystem with procedures grouped together for specific topics such as front suspension brake system engine and transmission It includes color wiring diagrams The language used in this Clymer repair manual is targeted toward the novice mechanic but is also very valuable for the experienced mechanic The service manual by Clymer is an authoritative piece of DIY literature and should provide you the confidence you need to get the job done and save money too

**Air Explorer Manual** Boy Scouts of America, 1953 **Catalog of Copyright Entries. Third Series** Library of Congress. Copyright Office, 1957 Includes Part 1 Number 1 2 Books and Pamphlets Including Serials and Contributions to Periodicals January December Scouting , Published by the Boy Scouts of America for all BSA registered adult volunteers and professionals Scouting magazine offers editorial content that is a mixture of information instruction and inspiration designed to strengthen readers abilities to better perform their leadership roles in Scouting and also to assist them as parents in strengthening families

*Administering Coldfusion Server* , 1999 *Catalogue of Copyright Entries* , 1924-07 Scouting , Published by the Boy Scouts of America for all BSA registered adult volunteers and professionals Scouting magazine offers editorial content that is a mixture of information instruction and inspiration designed to strengthen readers abilities to better perform their leadership roles in Scouting and also to assist them as parents in strengthening families

*Catalog of Copyright Entries. Part 1. [B] Group 2. Pamphlets, Etc. New Series* Library of Congress. Copyright Office, 1925 Catalogue of Title-entries of Books and Other Articles Entered in the Office of the Librarian of Congress, at Washington, Under the Copyright Law ... Wherein the Copyright Has Been Completed by the Deposit of Two Copies in the Office Library of Congress. Copyright Office, 1925

Discover tales of courage and bravery in its empowering ebook, Stories of Fearlessness: **Tiger Explorer Service Manual** . In a downloadable PDF format ( PDF Size: \*), this collection inspires and motivates. Download now to witness the indomitable spirit of those who dared to be brave.

[https://ftp.barnabastoday.com/public/browse/default.aspx/those\\_preaching\\_women\\_volume\\_4.pdf](https://ftp.barnabastoday.com/public/browse/default.aspx/those_preaching_women_volume_4.pdf)

## **Table of Contents Tiger Explorer Service Manual**

1. Understanding the eBook Tiger Explorer Service Manual
  - The Rise of Digital Reading Tiger Explorer Service Manual
  - Advantages of eBooks Over Traditional Books
2. Identifying Tiger Explorer Service Manual
  - Exploring Different Genres
  - Considering Fiction vs. Non-Fiction
  - Determining Your Reading Goals
3. Choosing the Right eBook Platform
  - Popular eBook Platforms
  - Features to Look for in an Tiger Explorer Service Manual
  - User-Friendly Interface
4. Exploring eBook Recommendations from Tiger Explorer Service Manual
  - Personalized Recommendations
  - Tiger Explorer Service Manual User Reviews and Ratings
  - Tiger Explorer Service Manual and Bestseller Lists
5. Accessing Tiger Explorer Service Manual Free and Paid eBooks
  - Tiger Explorer Service Manual Public Domain eBooks
  - Tiger Explorer Service Manual eBook Subscription Services
  - Tiger Explorer Service Manual Budget-Friendly Options
6. Navigating Tiger Explorer Service Manual eBook Formats

- ePub, PDF, MOBI, and More
- Tiger Explorer Service Manual Compatibility with Devices
- Tiger Explorer Service Manual Enhanced eBook Features
- 7. Enhancing Your Reading Experience
  - Adjustable Fonts and Text Sizes of Tiger Explorer Service Manual
  - Highlighting and Note-Taking Tiger Explorer Service Manual
  - Interactive Elements Tiger Explorer Service Manual
- 8. Staying Engaged with Tiger Explorer Service Manual
  - Joining Online Reading Communities
  - Participating in Virtual Book Clubs
  - Following Authors and Publishers Tiger Explorer Service Manual
- 9. Balancing eBooks and Physical Books Tiger Explorer Service Manual
  - Benefits of a Digital Library
  - Creating a Diverse Reading Collection Tiger Explorer Service Manual
- 10. Overcoming Reading Challenges
  - Dealing with Digital Eye Strain
  - Minimizing Distractions
  - Managing Screen Time
- 11. Cultivating a Reading Routine Tiger Explorer Service Manual
  - Setting Reading Goals Tiger Explorer Service Manual
  - Carving Out Dedicated Reading Time
- 12. Sourcing Reliable Information of Tiger Explorer Service Manual
  - Fact-Checking eBook Content of Tiger Explorer Service Manual
  - Distinguishing Credible Sources
- 13. Promoting Lifelong Learning
  - Utilizing eBooks for Skill Development
  - Exploring Educational eBooks
- 14. Embracing eBook Trends
  - Integration of Multimedia Elements
  - Interactive and Gamified eBooks

---

## **Tiger Explorer Service Manual Introduction**

In the digital age, access to information has become easier than ever before. The ability to download Tiger Explorer Service Manual has revolutionized the way we consume written content. Whether you are a student looking for course material, an avid reader searching for your next favorite book, or a professional seeking research papers, the option to download Tiger Explorer Service Manual has opened up a world of possibilities. Downloading Tiger Explorer Service Manual provides numerous advantages over physical copies of books and documents. Firstly, it is incredibly convenient. Gone are the days of carrying around heavy textbooks or bulky folders filled with papers. With the click of a button, you can gain immediate access to valuable resources on any device. This convenience allows for efficient studying, researching, and reading on the go. Moreover, the cost-effective nature of downloading Tiger Explorer Service Manual has democratized knowledge. Traditional books and academic journals can be expensive, making it difficult for individuals with limited financial resources to access information. By offering free PDF downloads, publishers and authors are enabling a wider audience to benefit from their work. This inclusivity promotes equal opportunities for learning and personal growth. There are numerous websites and platforms where individuals can download Tiger Explorer Service Manual. These websites range from academic databases offering research papers and journals to online libraries with an expansive collection of books from various genres. Many authors and publishers also upload their work to specific websites, granting readers access to their content without any charge. These platforms not only provide access to existing literature but also serve as an excellent platform for undiscovered authors to share their work with the world. However, it is essential to be cautious while downloading Tiger Explorer Service Manual. Some websites may offer pirated or illegally obtained copies of copyrighted material. Engaging in such activities not only violates copyright laws but also undermines the efforts of authors, publishers, and researchers. To ensure ethical downloading, it is advisable to utilize reputable websites that prioritize the legal distribution of content. When downloading Tiger Explorer Service Manual, users should also consider the potential security risks associated with online platforms. Malicious actors may exploit vulnerabilities in unprotected websites to distribute malware or steal personal information. To protect themselves, individuals should ensure their devices have reliable antivirus software installed and validate the legitimacy of the websites they are downloading from. In conclusion, the ability to download Tiger Explorer Service Manual has transformed the way we access information. With the convenience, cost-effectiveness, and accessibility it offers, free PDF downloads have become a popular choice for students, researchers, and book lovers worldwide. However, it is crucial to engage in ethical downloading practices and prioritize personal security when utilizing online platforms. By doing so, individuals can make the most of the vast array of free PDF resources available and embark on a journey of continuous learning and intellectual growth.

---

## FAQs About Tiger Explorer Service Manual Books

How do I know which eBook platform is the best for me? Finding the best eBook platform depends on your reading preferences and device compatibility. Research different platforms, read user reviews, and explore their features before making a choice. Are free eBooks of good quality? Yes, many reputable platforms offer high-quality free eBooks, including classics and public domain works. However, make sure to verify the source to ensure the eBook credibility. Can I read eBooks without an eReader? Absolutely! Most eBook platforms offer web-based readers or mobile apps that allow you to read eBooks on your computer, tablet, or smartphone. How do I avoid digital eye strain while reading eBooks? To prevent digital eye strain, take regular breaks, adjust the font size and background color, and ensure proper lighting while reading eBooks. What the advantage of interactive eBooks? Interactive eBooks incorporate multimedia elements, quizzes, and activities, enhancing the reader engagement and providing a more immersive learning experience. Tiger Explorer Service Manual is one of the best book in our library for free trial. We provide copy of Tiger Explorer Service Manual in digital format, so the resources that you find are reliable. There are also many Ebooks of related with Tiger Explorer Service Manual. Where to download Tiger Explorer Service Manual online for free? Are you looking for Tiger Explorer Service Manual PDF? This is definitely going to save you time and cash in something you should think about.

### Find Tiger Explorer Service Manual :

**those preaching women volume 4**

**thermoking sb 500 service manual**

[think like tiger an analysis of tiger woodss mental game](#)

[thorn side satan sword expulsion](#)

[three cities trilogy lourdes](#)

[this is munich m sasek serie](#)

[three times a woman chicana poetry](#)

**thomas kinkade painter of light with scripture 2013 engagement calendar**

[thraxas and the sorcerers](#)

*thief deadly shadows primas official strategy guide*

[things not seen study guide answers](#)

[this years model jewel](#)

**thermoplastic elastomers a comprehensive review**

*these thy gifts a collection of simple meal prayers*  
*thick blood theory when conspiracy means murder*

### **Tiger Explorer Service Manual :**

[pearson reviews rationales maternal newborn nursing with nursing](#) - May 17 2023

web pearson reviews rationales maternal newborn nursing with nursing reviews rationales hogan mary ann amazon sg books  
[pearson reviews rationales maternal newborn nursing with nursing](#) - Feb 14 2023

web dec 31 2020 pearson reviews rationales maternal newborn nursing with nursing reviews rationales published 2021  
 paperback 47 99 price reduced from 59 99 buy now free delivery isbn 13 9780134457727 pearson reviews rationales  
 maternal newborn nursing with nursing reviews rationales published 2018

[pearson reviews rationales maternal newborn nursing](#) - May 05 2022

web pearson reviews maternal newborn nursing with nursing reviews rationales 3 e provides a pearson reviews rationales  
 maternal newborn nursing with nursing reviews rationales 3rd edition by maryann hogan goodreads

[prentice hall nursing reviews rationals maternal newborn pearson](#) - Jun 06 2022

web prentice hall s nursing reviews rationales series is the complete foundation for success both within the classroom and oil  
 the nclex rn each volume includes a review of core content while providing hundreds of practice questions and  
 comprehensive rationales

[pearson reviews rationales maternal newborn nursing with nursing](#) - Jul 19 2023

web pearson reviews rationales maternal newborn nursing with nursing reviews rationales isbn 13 9780137402946 most  
 affordable 9 99 mo buy now looking for educator resources find the course content tools and apps you need for any subject  
 get started now available on all in one subscriptions learning simplified made to fit your life

**pearson reviews rationales maternal newborn nursing with nursing** - Aug 08 2022

web oct 31 2018 part of the best selling pearson reviews rationales series this volume addresses all aspects of the exam  
 covering maternal newborn nursing it provides a comprehensive outline review related nclex style questions and test taking  
 strategies that instructors can weave into their courses

[pearson reviews rationales maternal newborn nursing with nursing](#) - Dec 12 2022

web mar 9 2012 part of the best selling pearson reviews rationales series this volume addresses all aspects of the exam  
 covering maternal newborn nursing it provides a comprehensive outline review related nclex style questions and test taking  
 strategies that instructors can weave into their courses

[pearson reviews rationales maternal newborn nursing](#) - Nov 11 2022



web oct 31 2018 pearson reviews maternal newborn nursing has prepared thousands of students for success on the nclex rn exam part of the best selling this volume addresses all aspects of the exam covering maternal newborn nursing

**pearson reviews rationales maternal newborn nursing with nursing** - Oct 10 2022

web apr 29 2017 pearson reviews rationales maternal newborn nursing with nursing reviews rationales plus nursing reviews and rationales online access card package 3rd edition 3rd edition by mary ann hogan author 4 5 2

**pearson reviews rationales maternal newborn nursing with nursing** - Aug 20 2023

web pearson reviews rationales maternal newborn nursing with nursing reviews rationales 4th edition published by pearson october 31 2018 2019 mary ann hogan

*read pearson reviews rationales maternal newborn nursing* - Mar 03 2022

web nov 11 2023 pearson reviews rationales maternal newborn nursing with nursing reviews rationales pearson nursing reviews rationales 4th edition is an essential resource for nursing students and

pearson reviews rationales maternal newborn nursing with nursing - Apr 16 2023

web oct 31 2018 pearson reviews rationales maternal newborn nursing has prepared thousands of students for success on the nclex rn exam part of the best selling pearson reviews rationales series this volume addresses all aspects of the exam covering maternal newborn nursing

**maternal newborn nursing reviews rationales maryann** - Apr 04 2022

web prentice hall s nursing reviews rationales series is the complete foundation for success both within the classroom and oil the nclex rn each volume includes a review of core content while providing hundreds of practice questions and comprehensive rationales

*pearson* - Mar 15 2023

web en us subject catalog p pearson reviews rationales maternal newborn nursing with nursing reviews rationales

**pearson reviews rationales maternal newborn nursing with** - Jan 13 2023

web pearson reviews rationales maternal newborn nursing has prepared thousands of students for success on the nclex rn exam part of the best selling pearson reviews rationales series this volume addresses all aspects of the exam covering maternal newborn nursing it provides a comprehensive outline review more

**pearson reviews rationales maternal newborn nursing with nursing** - Sep 21 2023

web jan 1 2021 pearson reviews rationales maternal newborn nursing with nursing reviews rationales 4th edition published by pearson january 1 2021 2019 mary ann hogan best value etextbook mo print 47 99 pearson subscription pay monthly or pay undefined isbn 13 9780137402946

pearson reviews rationales maternal newborn nursing with nursing - Oct 22 2023

web pearson reviews rationales maternal newborn nursing with nursing reviews rationales 4th edition published by pearson  
 january 1 2021 2019 mary ann hogan

[pearson reviews rationales maternal newborn nursing with nursing](#) - Sep 09 2022

web the digital and etextbook isbn's for pearson reviews rationales maternal newborn nursing with nursing reviews rationales  
 pearson are 9780137402946 0137402945 and the print isbn's are 9780134457727 0134457722 save up to 80 versus print by  
 going digital with vitalsource

**pearson reviews rationales maternal newborn nursing with nursing** - Jun 18 2023

web jan 1 2021 pearson reviews rationales maternal newborn nursing with nursing reviews rationales 4th edition etextbook  
 subscription pearson

[pearson reviews rationales maternal newborn nursing with nursing](#) - Jul 07 2022

web pearson reviews rationales maternal newborn nursing with nursing reviews rationales 3 e provides a clear concentrated  
 and up to date review of today's need to know knowledge for effective maternal and newborn nursing

**standart c programlama dili 4 2 3 main fonksiyonunun** - Sep 06 2023

web main in şu şekilde tanımlanmış olduğunu varsayın include stdio h int main int argc char argv int i printf merhaba benim  
 ismim s n argv 0 printf argumanlarım

[la main de ca c sar pdf admin store motogp](#) - Mar 20 2022

web la main de ca c sar 3 3 comment trouver une nouvelle harmonie avec soi même psychiatre psychothérapeute française  
 millet bartoli enseigne à la faculté de

*ça tient dans la main* [wordreference forums](#) - Sep 25 2022

web jun 2 2011 je me permets d'intervenir car pour moi ça tient dans la main signifie justement que l'appareil en question  
 est plus petit qu'une main je serais donc plutôt de

*la main de le sac* [wordreference forums](#) - Aug 05 2023

web dec 1 2009 hi how can i translate the expression être pris la main dans le sac i don't remember exactly but i think there  
 is the world blood thank you for your answer

**38 idées de la main dans le sac sac sensoriel sacs pinterest** - Aug 25 2022

web 19 juin 2016 découvrez le tableau la main dans le sac de cantharide sur pinterest voir plus d'idées sur le thème sac  
 sensoriel sacs sensoriels sac pinterest

*c cai final des sar by sar des prezi* - Jun 22 2022

web five technologies i learned this semester sara desrocher 1 quizlet 1 quizlet what is quizlet what is quizlet quizlet is an  
 online website where users can sign up for free

**la main dans le sac translation in english reverso** - May 02 2023

web see how la main dans le sac is translated from french to english with more examples in context la main dans le sac translation in french english reverso dictionary see also

**Ç ile başlayan kelimeler nelerdir sonu ç harfiyle biten kelime** - Jul 04 2023

web aug 29 2023 Ülkemizde ilk harfi Ç olan il ve ilçeler şunlardır 1 Çankırı 2 Çorlu 3 Çorum 4 Çerkezköy 5 Çukurova 6 Çanakkale 7 Çelikhan 8 Çobanlar Çiğdem Çağatay

**c Ç harfleri ile başlayan deyimler ve anlamları edebiyat okulu** - Oct 27 2022

web aug 1 2023 c Ç harfleri ile başlayan deyimler ve anlamları cadı kazanı alabildiğince dedikodunun hâkim olduğu yer caka satmak gösteriş yapmak cambul cumbul suyu

**la main de ca c sar 2022 wrbb neu** - Feb 16 2022

web la voix de la misericorde engel claude doutes remises en cause envies de tout recommencer le milieu de la vie est souvent une période de crise redoutée par

**translation of la main c est in english reverso context** - Jan 30 2023

web translations in context of la main c est in french english from reverso context c est la main

**what does la main mean in french wordhippo** - Dec 29 2022

web la main english translation the hand more meanings for la main hand around la main find more words

**türkiye de Ç harfi ile başlayan kaç il vardır Ç harfi ile başlayan** - Apr 20 2022

web mar 8 2020 türkiye de Ç harfi ile başlayan kaç il vardır Ç harfi ile başlayan illerimiz Ç ile başlayan şehirler hangi bölgelerdedir bu konuda sizlere kısa bilgiler vereceğiz

**la main de ca c sar 2022 legacy theoecc** - Oct 07 2023

web la main de ca c sar english french translation la chasse illustrée a new pronouncing dictionary of the spanish and english languages la crise du milieu de la vie chronique

**julio César la cruz wikipedia** - Feb 28 2023

web julio César de la cruz peraza born 11 august 1989 is a cuban professional boxer as an amateur he won gold medals at the 2016 and 2020 summer olympics and the 2011

**english translation of la main collins online dictionary** - Apr 01 2023

web dictionary sentences grammar english translation of la main word frequency la main feminine noun hand donne moi la main give me your hand serrer la main à quelqu'un

**claire la bibliothécaire on instagram album coup de coeur et** - Nov 27 2022

web 55 likes 0 comments la bibliothécaire on january 13 2023 □ album coup de coeur et la galette dans tout ça écrit par jean

philippe lemanc

**translation of la main dans le sac in english reverso context** - Jun 03 2023

web ali bongo was caught red handed in imposture cependant son ami et organisateur de longue date a été pris la main dans le sac but his friend and long time organizer was

*kr fra la main dans le sac 2 lyrics genius lyrics* - May 22 2022

web jul 14 2023 distribué par tunecore release date july 14 2023 tags rap genius france french rap france expand la main dans le sac 2 lyrics

se casser la main french q a kwiziq french - Jul 24 2022

web hi why is se casser la main to break one s arm when main hand and bras arm is this an example of a non literal phrase this question relates to french vocab and

**las malas palabras the bad words dios necesito hablarte god** - Mar 30 2022

web jun 25 2023 may 18th 2020 dios necesito hablarte de las malas palabras god i need to talk to you about bad words libros súper especiales escritos a través de las palabras y los ojos de un niño hermosamente ilustradas estas historias tratan las preocupaciones que los más pequeños enfrentan cada día cada libro de la serie señala claramente las

**las malas palabras the bad words dios necesito hablarte god** - Feb 09 2023

web jun 9 2023 dios necesito hablarte de las malas palabras god i need to talk to you about bad words libros súper especiales escritos a través de las palabras y los ojos de un niño hermosamente ilustradas estas historias tratan las preocupaciones que los más pequeños enfrentan cada día cada libro de l malas palabras lo mejor del cine

*las malas palabras the bad words dios necesito hablarte god* - Apr 11 2023

web necesito hablarte de palabras translation english spanish dictionary reverso 3 formas de evitar decir malas palabras wikihow daniel Muñoz las maldiciones malas palabras bad words letra traducida de nothing to say soundgarden dios necesito hablarte de er sano god i need to talk unicación de malas noticias en salud sciencedirect si te

**las malas palabras the bad words dios necesito hab copy** - Sep 04 2022

web 2 las malas palabras the bad words dios necesito hab 2020 11 10 distances out into uncharted territories beyond the canon and thus beyond the cannon s range this book features a selection of essays presented at the fifth annual caribbean without borders conference at the university of puerto rico río piedras it critically delves into

*las malas palabras the bad words dios necesito hab andrés* - Aug 15 2023

web to the statement as skillfully as keenness of this las malas palabras the bad words dios necesito hab can be taken as capably as picked to act mundos en palabras Ángeles carreres 2018 01 12 mundos en palabras offers advanced students of spanish a challenging yet practical course in translation from english into spanish the

---

*las malas palabras the bad words dios necesito hab* - Dec 07 2022

web 2 las malas palabras the bad words dios necesito hab 2020 07 11 over ninety thousand words and phrases into european and latin american spanish as well as information about grammar culture and communication encyclopedia of latin american and caribbean literature 1900 2003 god i need to talk to you abo the rhetoric of

*las malas palabras the bad words dios necesito hab copy* - May 12 2023

web las malas palabras the bad words dios necesito hab downloaded from ftp popcake com by guest rich erin barron s spanish english pocket dictionary routledge the encyclopedia of twentieth century latin american and caribbean literature 1900 2003 draws together entries on all aspects of literature including authors critics

*las malas palabras the bad words dios necesito hab copy* - Nov 06 2022

web dios necesito hab in a digitally driven world wherever screens reign great and immediate communication drowns out the subtleties of language the profound secrets and mental nuances hidden within words often move

**103 versículos de la biblia sobre malas palabras bibleportal** - Jun 01 2022

web 103 principales versículos de la biblia con imágenes sobre malas palabras ninguna palabra torpe salga de vuestra boca sino la que sea buena para edificación para que dé gracia á los oyentes

**don t say bad words spanishdict** - Jan 08 2023

web pronunciation don t say bad words dont sey bahd wuhrdz phrase 1 imperative used to address one person a no digas palabrotas informal singular don t say bad words mom will ground you no digas palabrotas mamá te va a castigar b no digas groserías informal singular don t say bad words it s not nice no digas groserías

**las malas palabras the bad words dios necesito hab pdf** - Aug 03 2022

web clave de los temas de la novísima gramática inglesa pearson ptr interactive this volume is part of a research program which started with the publication in 1972 of anna wierzbicka s groundbreaking work on semantic primitives

**las malas palabras the bad words dios necesito hab** - Jul 02 2022

web jul 6 2023 necesito hab getting the books las malas palabras the bad words dios necesito hab now is not type of challenging means you could not isolated going afterward book hoard or library or borrowing from your contacts to approach them this is an utterly easy means to specifically acquire guide by on line this online notice las malas

*las malas palabras spanish translator* - Mar 10 2023

web translate las malas palabras see spanish english translations with audio pronunciations examples and word by word explanations

**las malas palabras the bad words dios necesito hab 2022** - Oct 05 2022

web 2 las malas palabras the bad words dios necesito hab 2021 08 01 public high school and their compassionate teacher

and a reminder that in an era of nativism some americans are still breaking down walls and nurturing the seeds of the great american experiment the new york times book review

*las malas palabras the bad words dios necesito hablarte god* - Feb 26 2022

web religi3n me salva pdf el libro de las malas palabras the book of bad words qu3 dice la biblia sobre las malas palabras y las groser3as rimas de rap raperos dios necesito hablarte de juego pleto de dios necesito hablarte de plete bad english spanish dictionary wordreference frases de agradecimiento ingl3 s

**las malas palabras the bad words dios necesito hab free pdf** - Jul 14 2023

web botella al mar para el dios de las palabras para el dios de las palabras gabriel garc3a m3rquez discurso en el primer congreso internacional de la lengua espa3ola celebrado en zacatecas m3xico abril de 1997 a mis doce a3os de eda jun 25th 2023 entre las calles vivas de las palabras iv reflejo de las pr3cticas de cultura escrita

las malas palabras the bad words dios necesito hab vod - Jun 13 2023

web las malas palabras the bad words dios necesito hab downloaded from vod transcode uat mediacp net by guest jazlyn jair straits university of new mexico press 62 000 words phrases and examples 15 000 examples all fully translated full colour with 1000 colour photographs 1000 vocabulary and cultural notes cracking the male code rowman

las malas palabras the bad words dios necesito hab 2022 - Dec 27 2021

web 2 las malas palabras the bad words dios necesito hab 2021 08 04 clau who happens to be a ghost and her cousin carlitos must conduct a s3ance under a full moon in order to unravel the mystery of the legend suddenly omega s magic begins to change and the key to understanding her powers is more complicated than she thought omega will have

las malas palabras the bad words dios necesito hab dora del - Jan 28 2022

web las malas palabras the bad words dios necesito hab palabras the bad words dios necesito hab then it is not directly done you could bow to even more approaching this life something like the world we offer you this proper as competently as easy pretension to get those all we allow las malas palabras the bad words dios

**vers3culos de la biblia sobre las malas palabras** - Apr 30 2022

web efesios 5 4 4 ni palabras torpes ni necedades ni truhaner3as que no convienen sino antes bien acciones de gracias santiago 3 9 10 9 con ella bendecimos al dios y padre y con ella maldecimos 3 los hombres los cuales son hechos 3 la semejanza de dios 10 de una misma boca proceden bendici3n y maldici3n